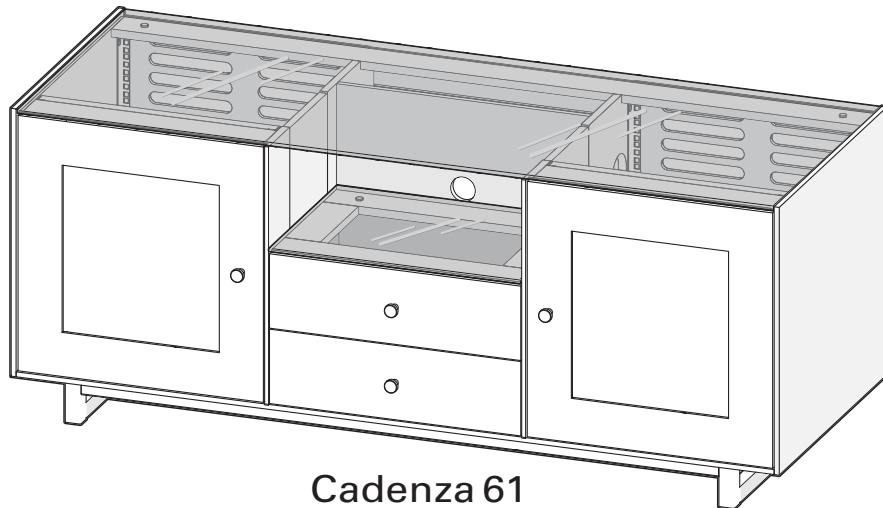
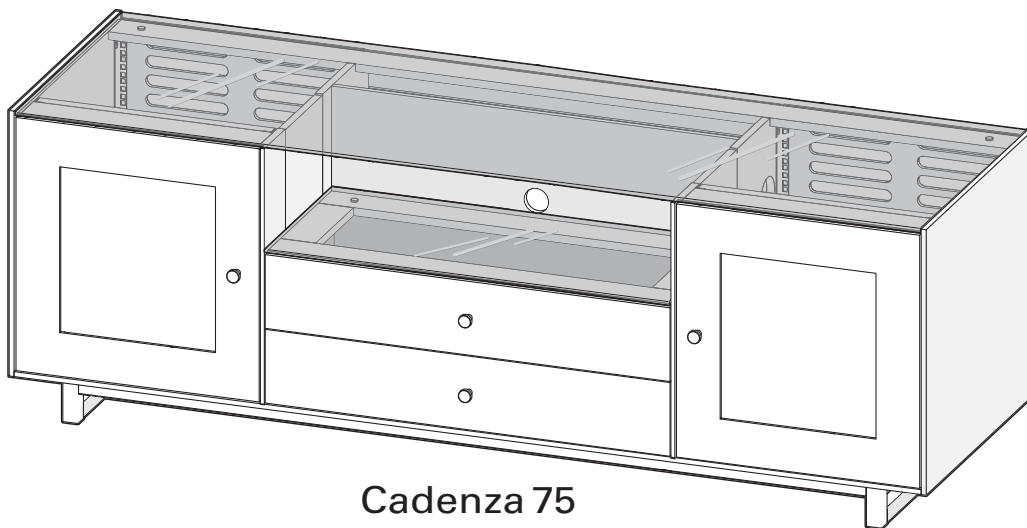


SANUS®

Cadenza Instruction Manual



Cadenza 61



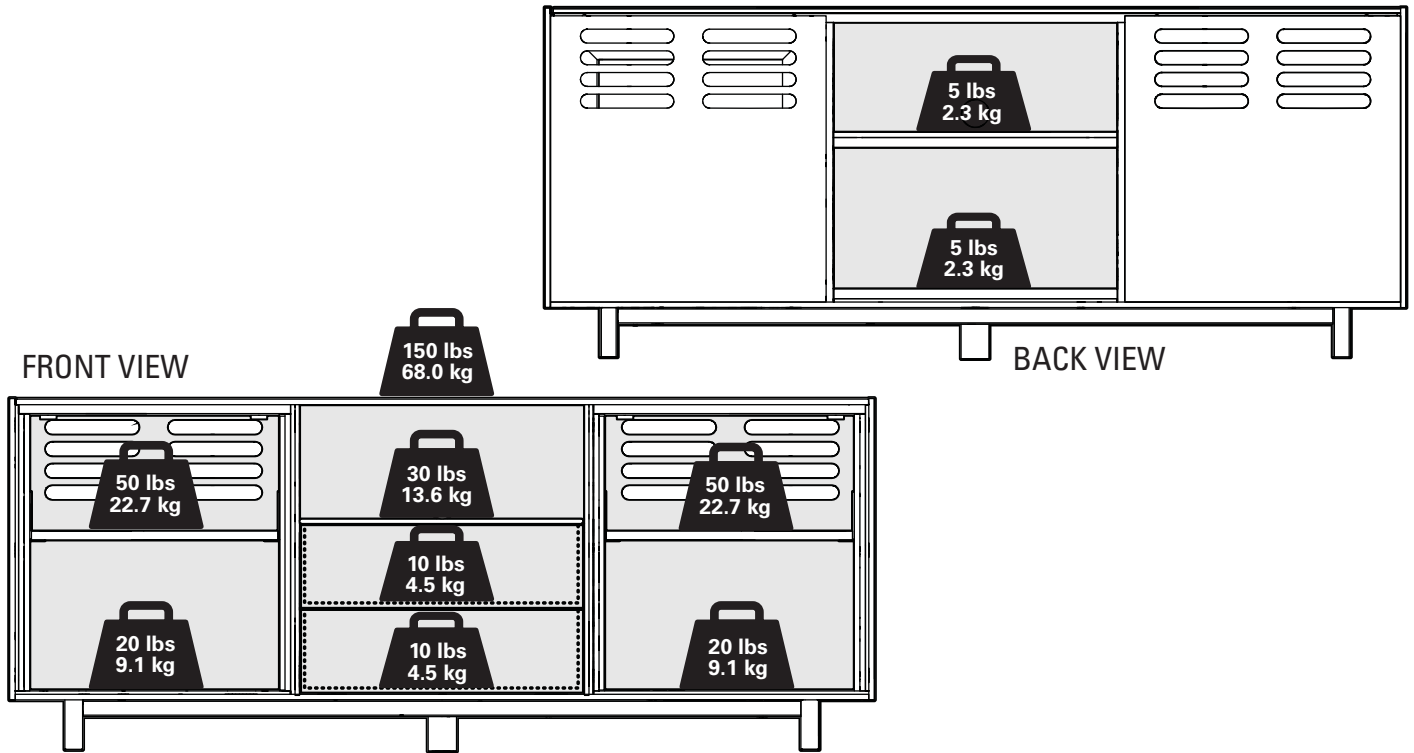
Cadenza 75

We'll Make It Stress-Free

If you have any questions along the way, just give us a call.
1-800-359-5520. We're ready to help!



Weight Limits



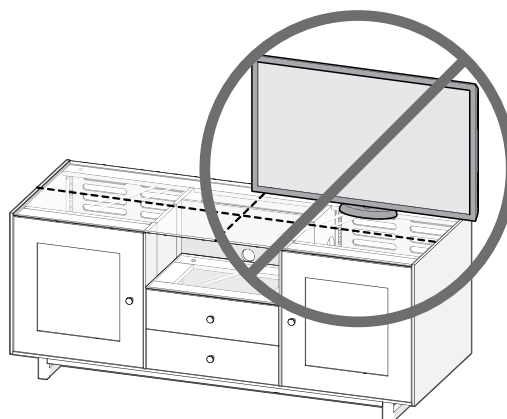
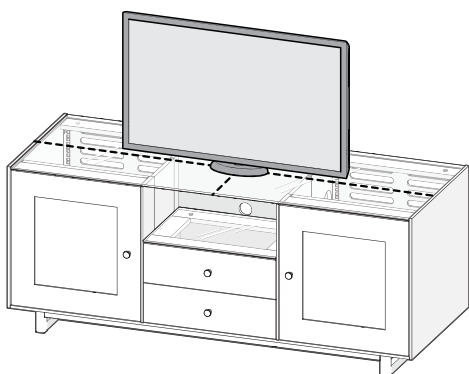
Cautions and Care

CARE INSTRUCTIONS

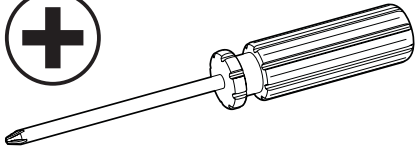
For wood with a natural finish, dust regularly with a soft dry cloth. When needed, wipe with a clean, damp, cloth and wipe dry.

⚠ CAUTION: Avoid potential personal injuries and property damage!
Serious or fatal crushing injuries can occur from furniture failure. To prevent failure:

- This product is designed for use with flat panel TVs **ONLY**.
- Do not exceed rated weight limits.
- Place heaviest items in the lowest shelves.
- Never allow children to climb or hang on shelves or doors.
- Always unload furniture before moving.
- Use of anti-tip restraints may only reduce, but not eliminate, the risk of failure.
- Do not use this product for any purpose not explicitly specified by manufacturer.
- If you do not understand these instructions, or have doubts about the safety of the installation, assembly or use of this product, contact Customer Service or call a qualified contractor.
- Manufacturer is not responsible for damage or injury caused by incorrect assembly or use.
- To prevent tipping, be sure to center your flat panel TV (NO CRTs) on the top of your furniture.



Required Tools



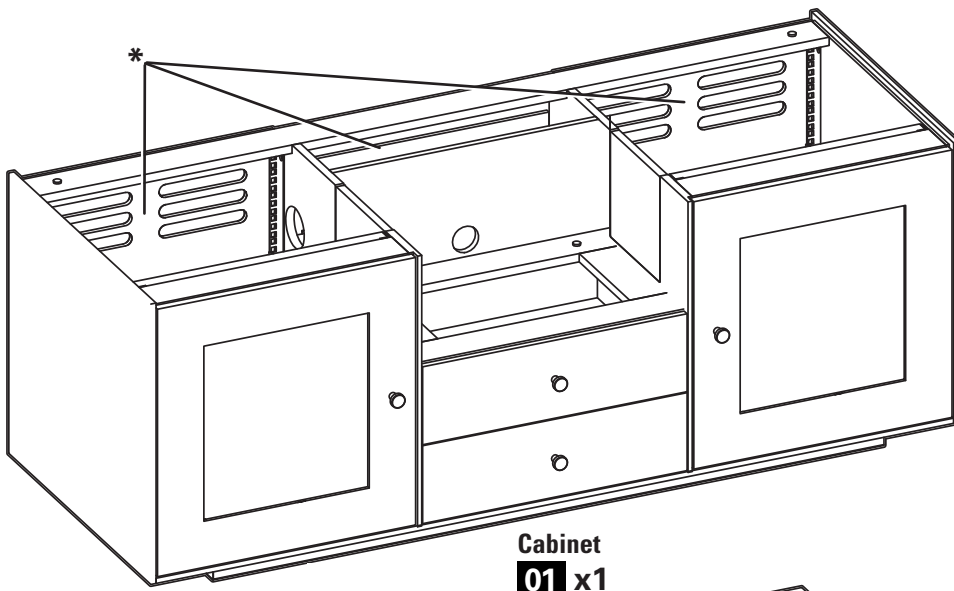
Supplied Parts and Hardware

⚠ WARNING: This product contains small items that could be a choking hazard if swallowed. Before starting assembly, verify all parts are included and undamaged. If any parts are missing or damaged, do not return the damaged item to your dealer; contact Customer Service. Never use damaged parts!

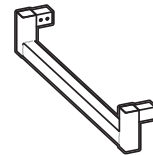
* **⚠ WARNING:** This product contains a magnet. If an implanted medical device such as a pacemaker or implantable cardioverter defibrillator (ICD) is in use, magnetic fields may affect the operation of those devices, resulting in serious injury or death. If you have an implanted medical device, keep at least 13 cm (5 in.) between your device and the magnet. Please consult with your physician or medical professional prior to using this product.

⚠ CAUTION: Avoid potential personal injuries and property damage!

- Tempered glass has been chosen for this product because of its strength and safety characteristics. However, tempered glass should still be handled with care to avoid possible property damage or personal injury.
- Mishandling during shipping, assembly, or use may result in damage that can weaken the tempered glass.
- Periodically check the glass to look for chips, cracks, or deep scratches.
- If chips, cracks, or deep scratches are found, discontinue use and contact customer service.



Cabinet
01 x1



End Foot
02 x2



Center Foot
03 x1

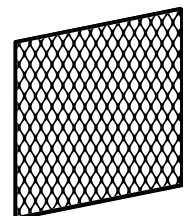


End Cap
04 x4

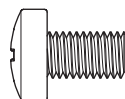


Top Glass Panel
05 x1

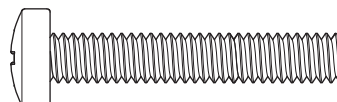
Glass Shelf
06 x1



Screen Panel
07 x2



End Foot Screw
08 x8

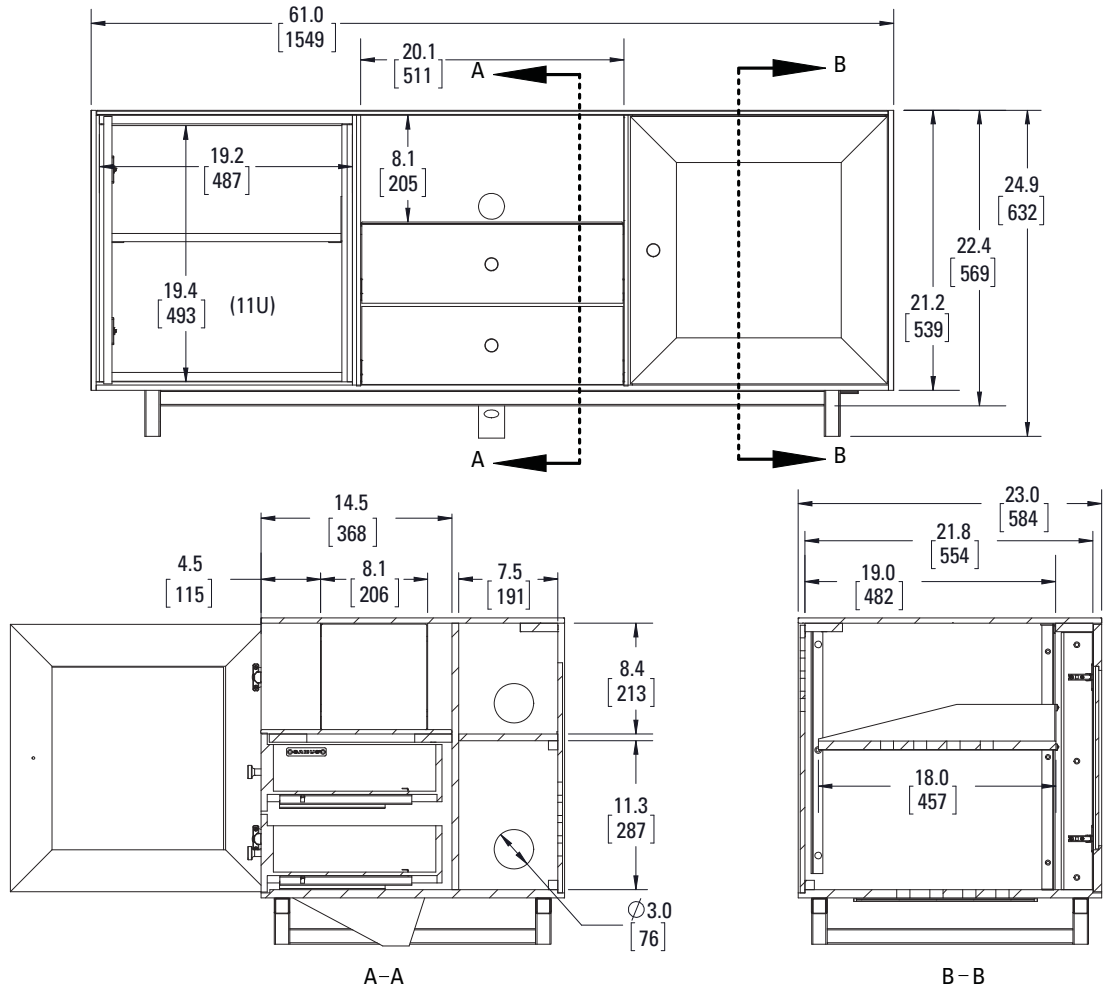


Center Foot Screw
09 x2

Dimensions

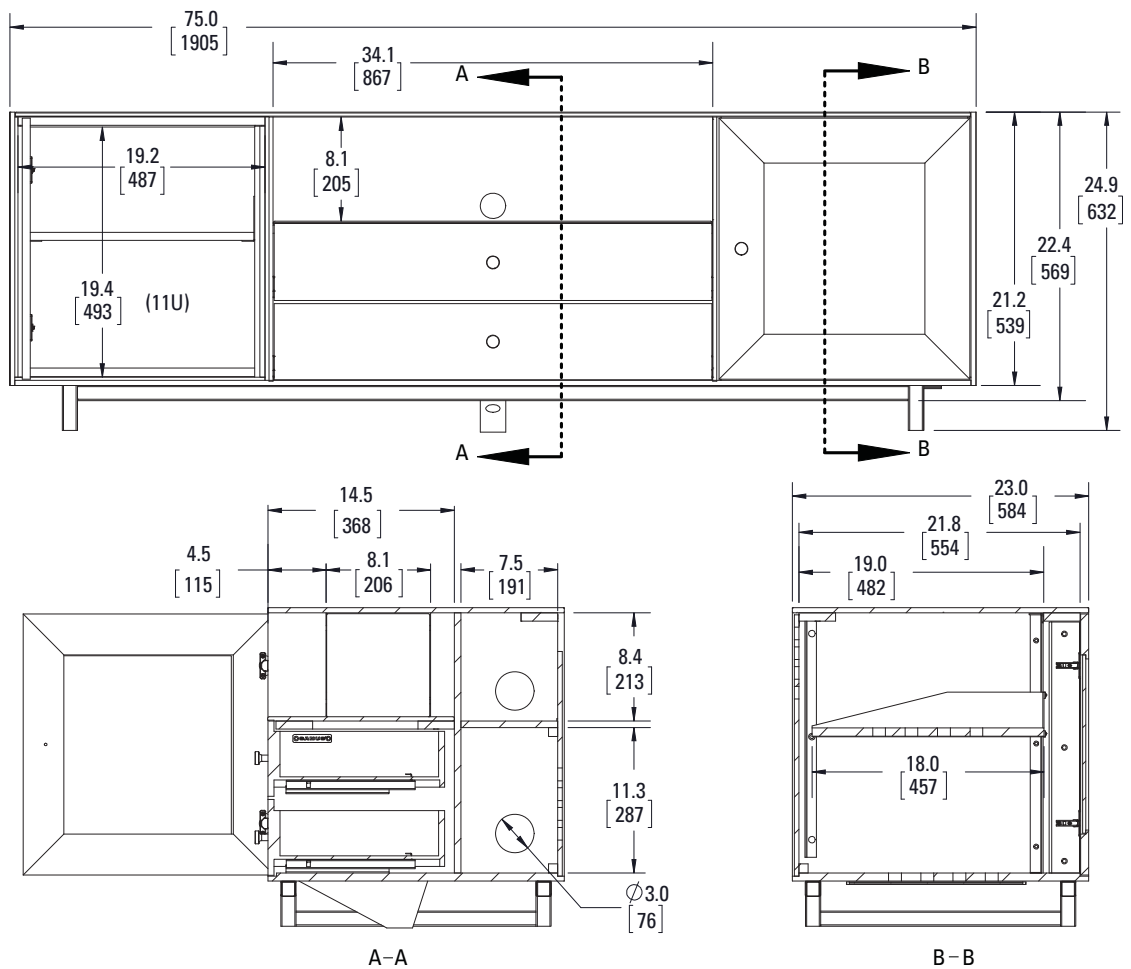
Cadenza 61

in.
[mm]



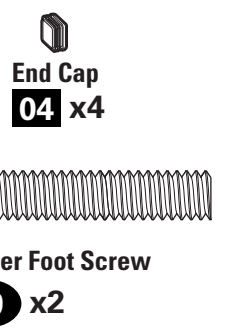
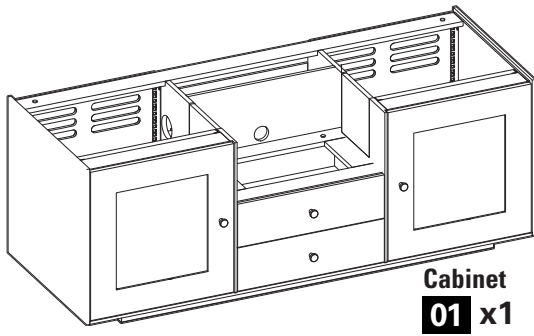
Cadenza 75

in.
[mm]

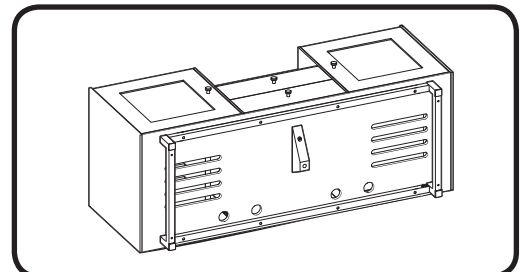
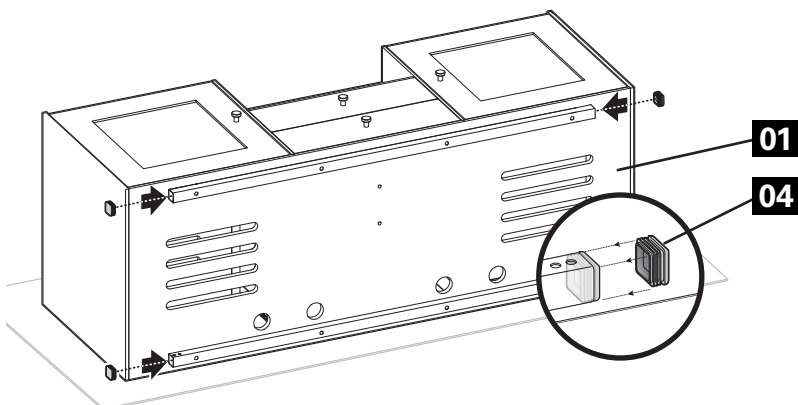
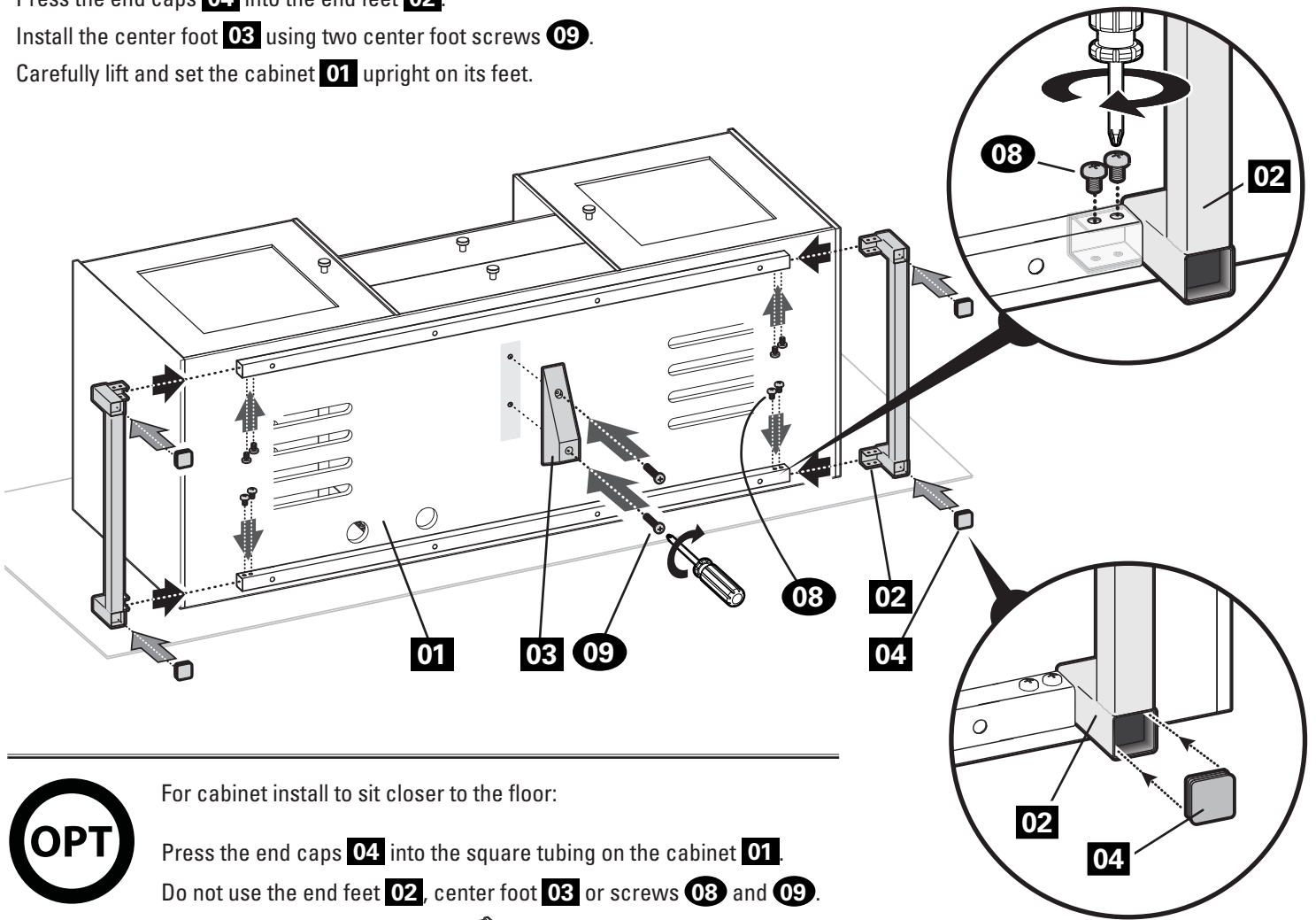


1 Feet

Parts and Hardware for STEP 1



Carefully lift the cabinet **01** and lay it on its back onto a protective surface.
Slide the end feet **02** into the square tubing and secure using eight end foot screws **08**.
Press the end caps **04** into the end feet **02**.
Install the center foot **03** using two center foot screws **09**.
Carefully lift and set the cabinet **01** upright on its feet.



2 Soundbar Preparation (optional)

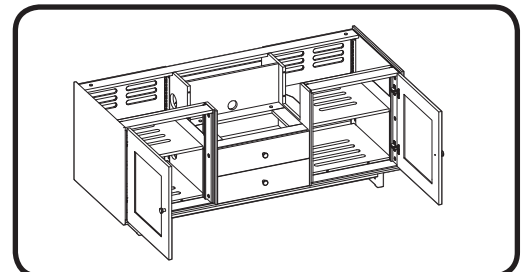
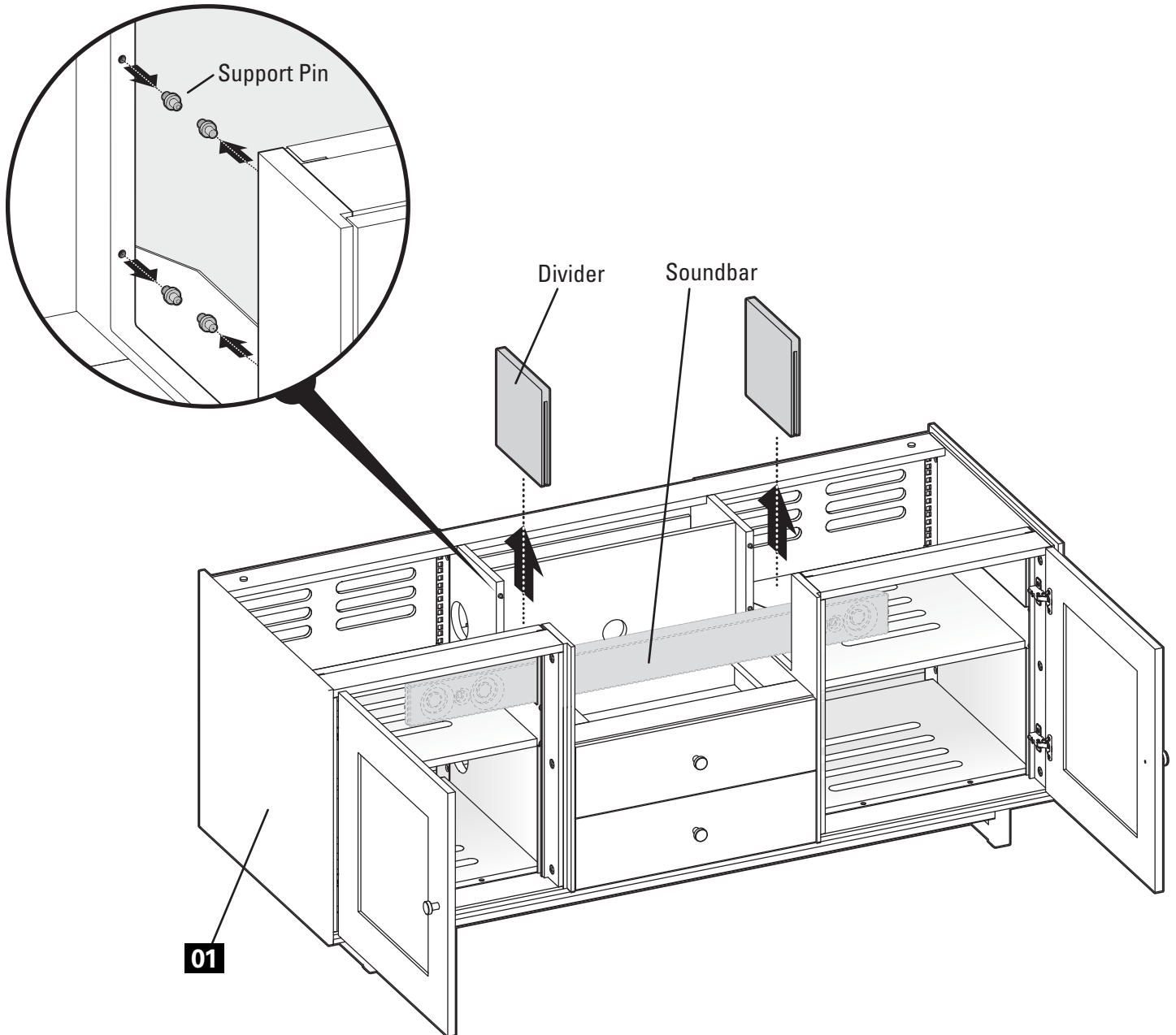


To make room for a soundbar or other long equipment:

Remove the dividers on one or both sides of cabinet **01**.

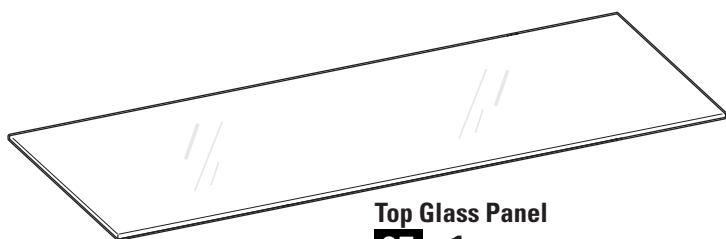
Remove the support pins from cabinet **01**.

NOTE: See STEP 5 on PAGE 9 to switch the front door panels with mesh screens to accommodate the speakers.



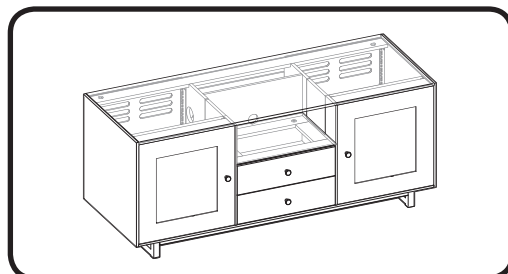
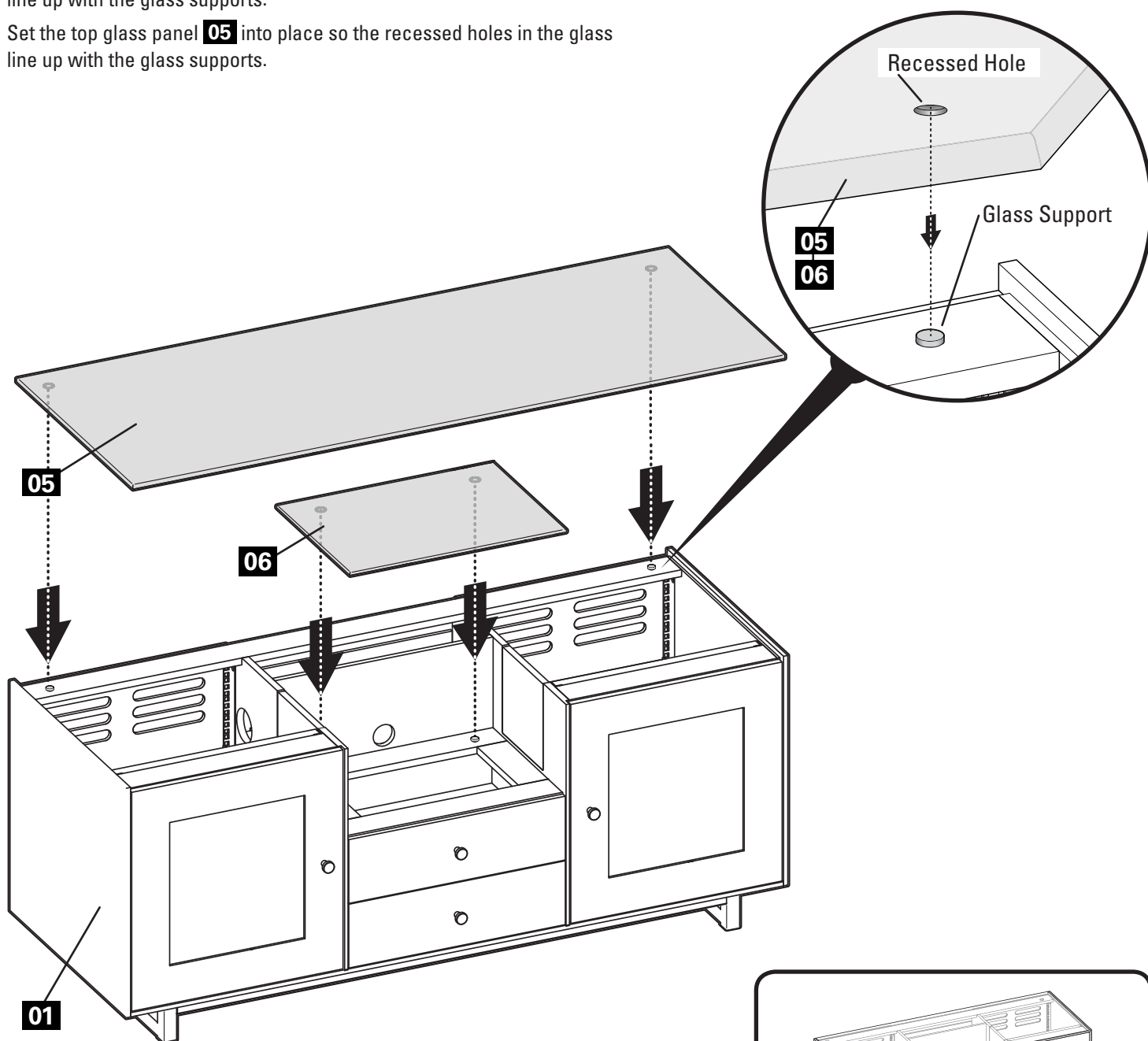
3 Glass Panels

Parts for STEP 3



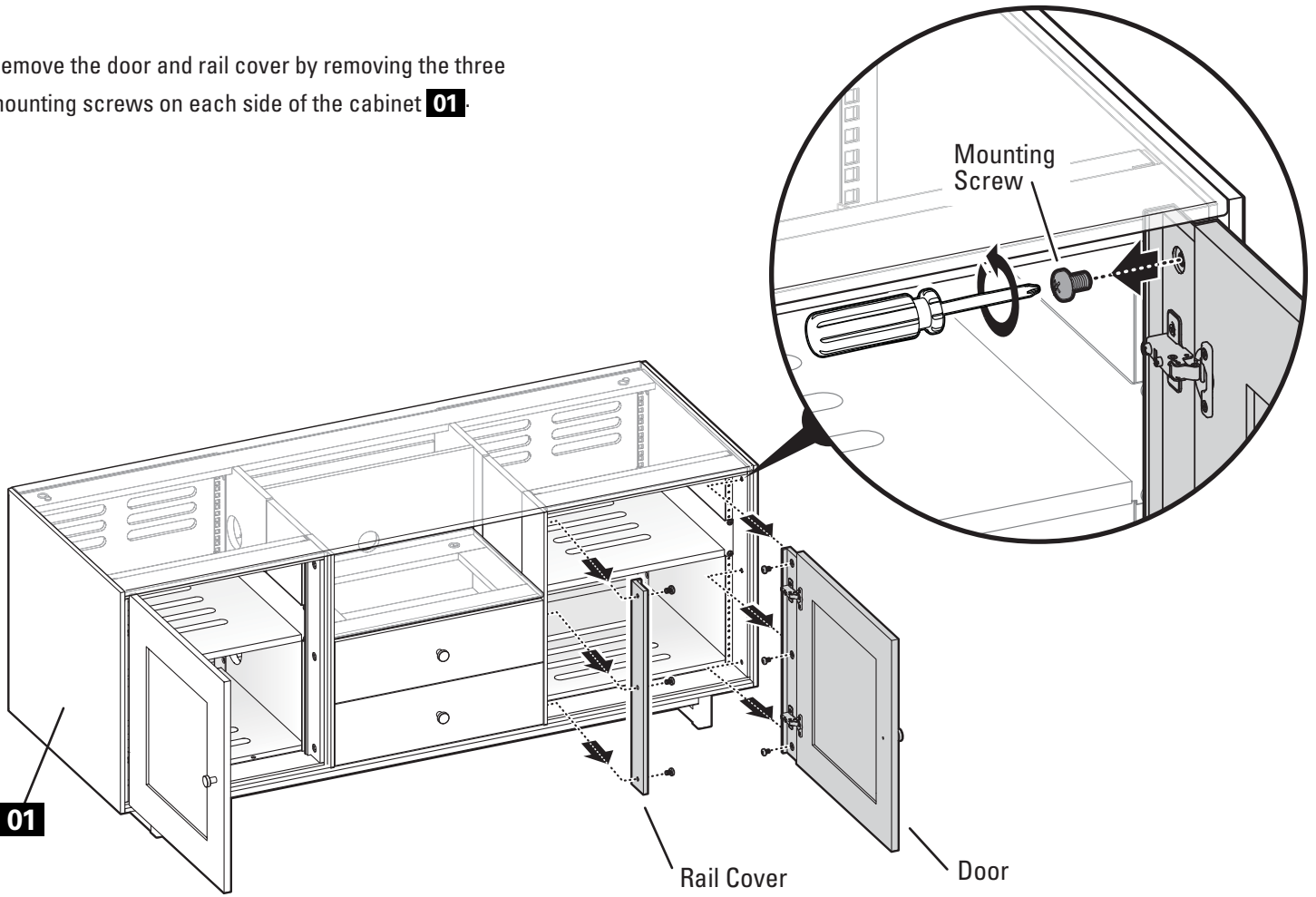
Set the glass shelf **06** into place so the recessed holes in the glass line up with the glass supports.

Set the top glass panel **05** into place so the recessed holes in the glass line up with the glass supports.

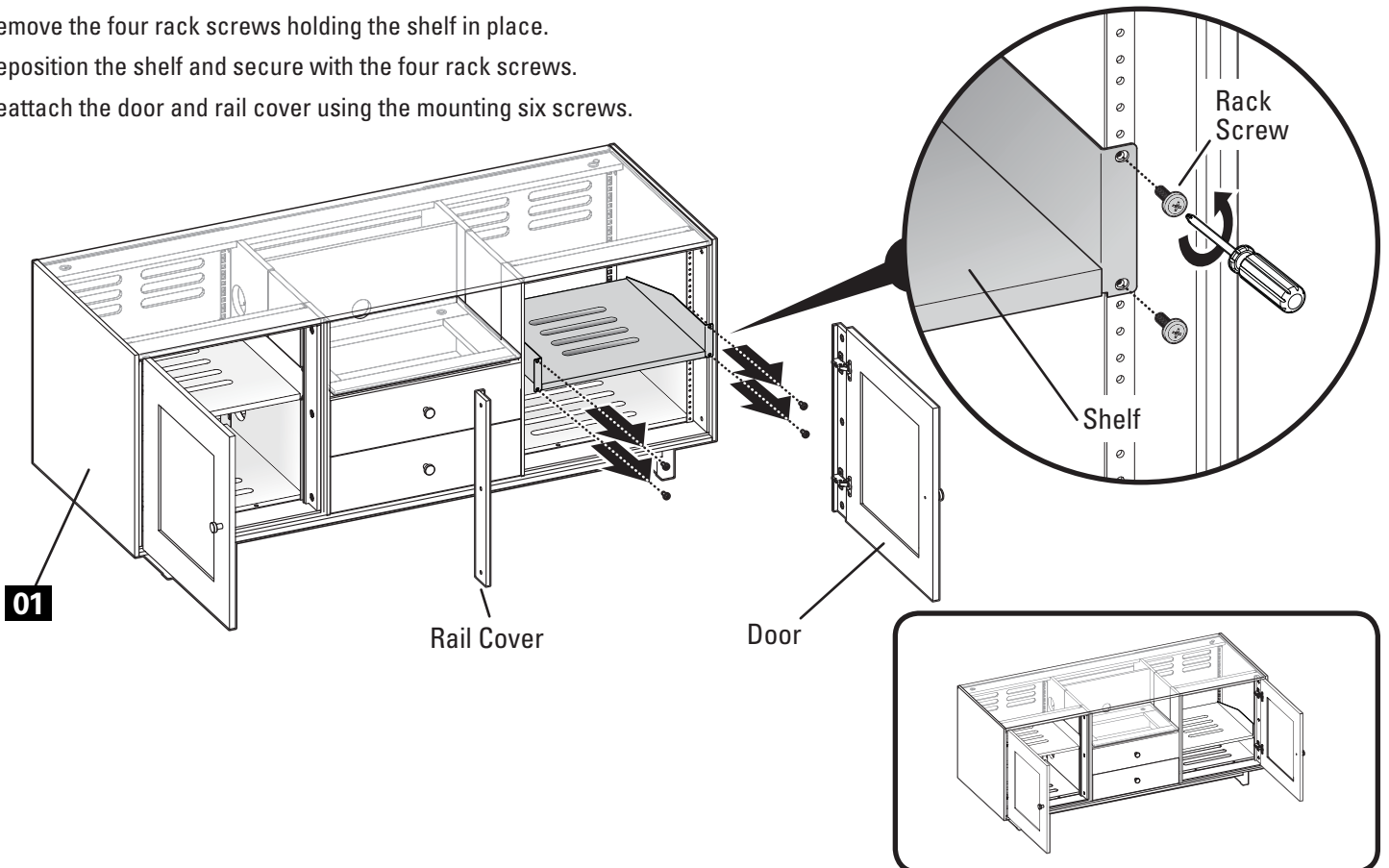


4 Shelf Adjustment

Remove the door and rail cover by removing the three mounting screws on each side of the cabinet **01**.

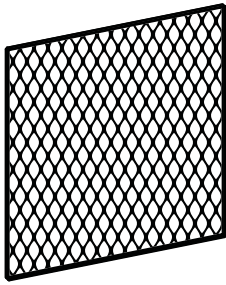


Remove the four rack screws holding the shelf in place.
Reposition the shelf and secure with the four rack screws.
Reattach the door and rail cover using the mounting six screws.



5 Door Screens (optional)

Parts for STEP 5

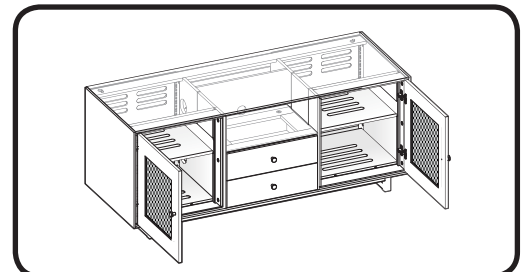
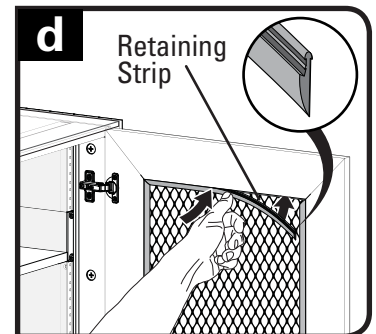
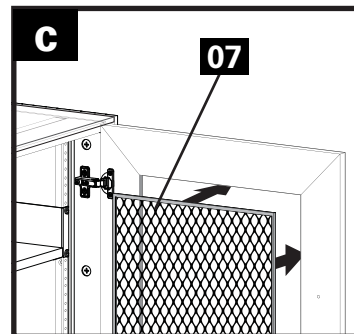
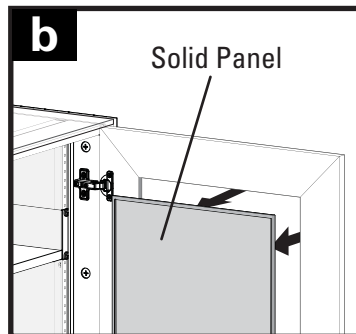
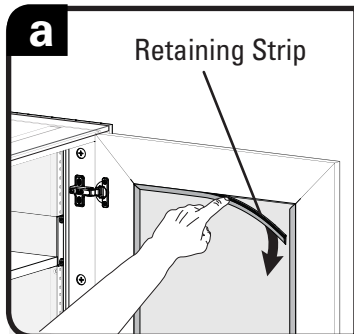
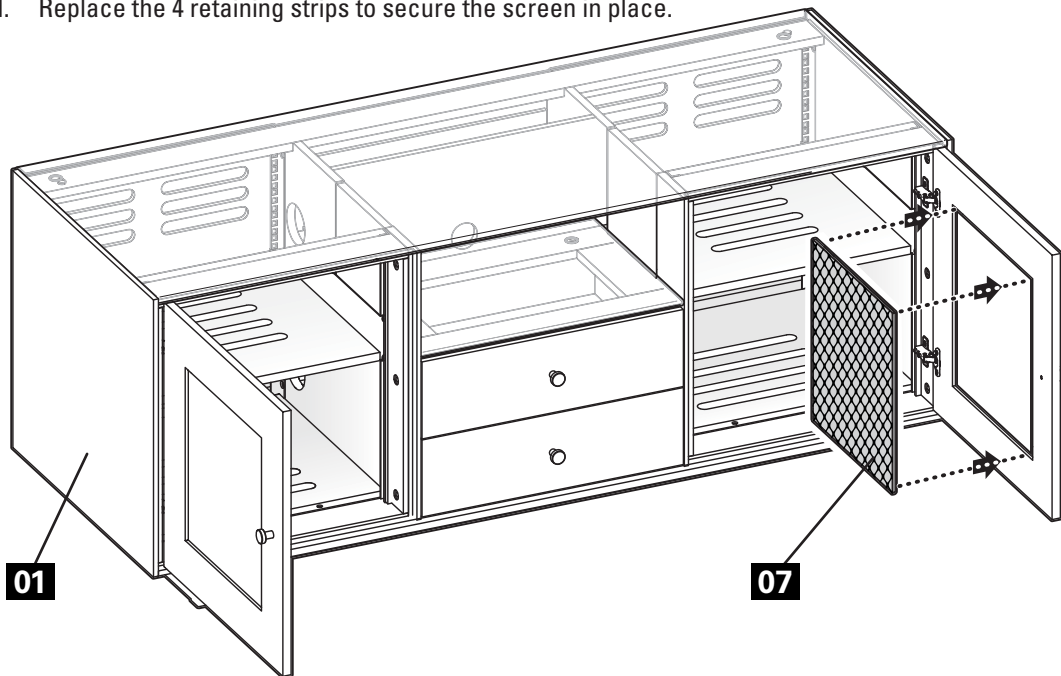


Screen Panel
07 x2



To utilize speakers behind the doors, inside the cabinet:

- Pull the 4 retaining strips from the back of the door frame.
- Remove the solid panel.
- Install the screen panel **07** into the door.
- Replace the 4 retaining strips to secure the screen in place.

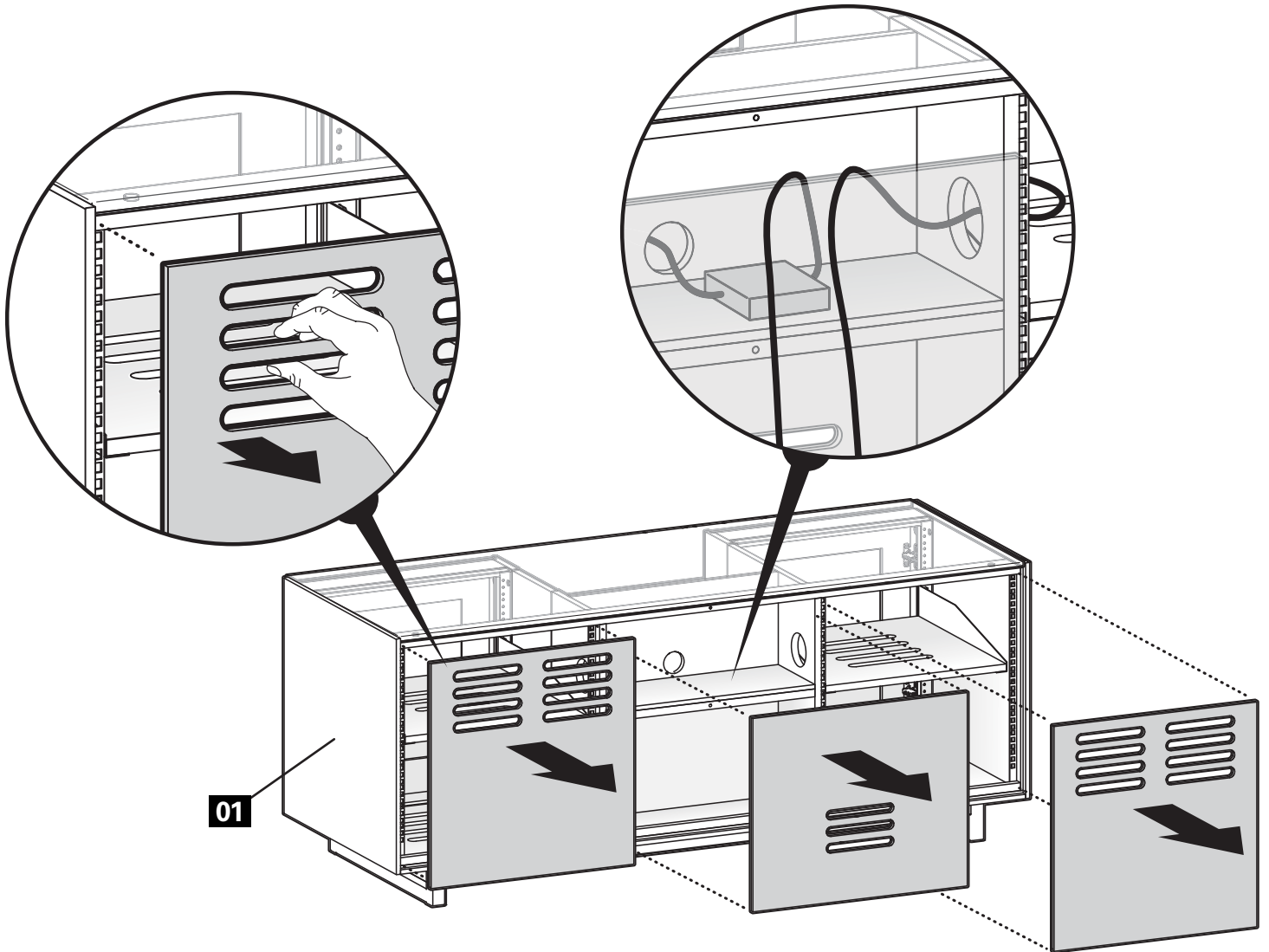


6 Operation

REMOVING THE BACK PANELS

Remove the magnetic back panels of cabinet **01** by pulling away from the cabinet.

Replace by lining up the panels and allowing the magnets to catch the cabinet **01**.



CABINET DOORS AND DRAWERS

The doors and drawers include an automatic closing mechanism.

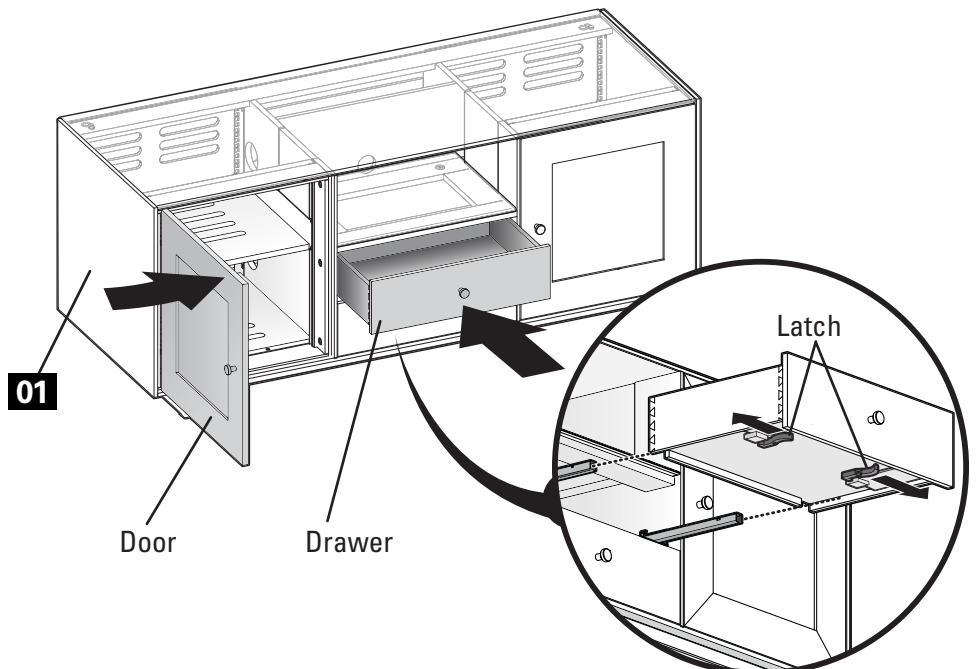
Simply close the doors or drawers until you feel the auto close feature take affect, then release and allow the door or drawer to finish closing on its own.

Removal:

Doors - See STEP 4 on PAGE 8

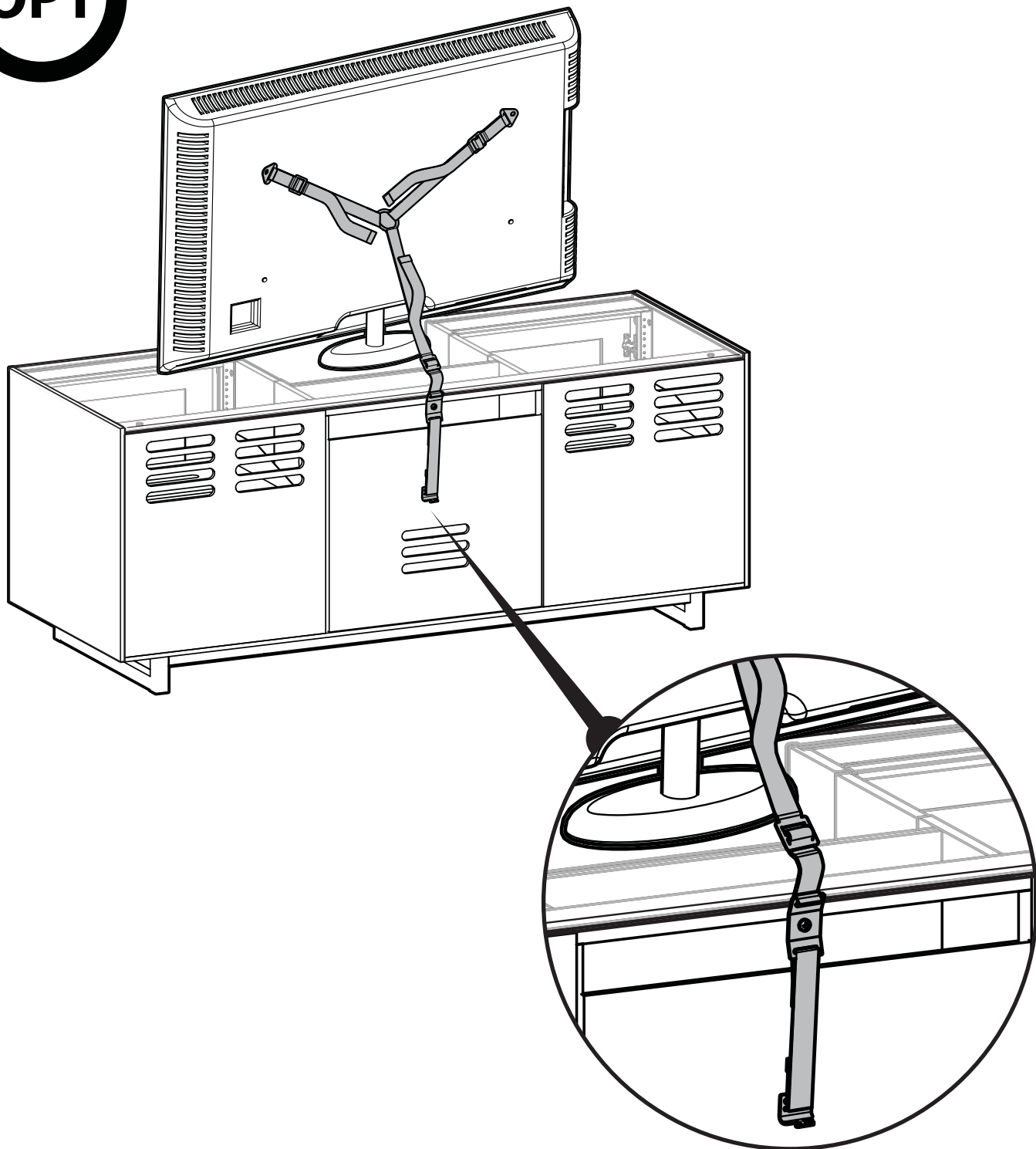
Drawers - Pull outward on the latches on the underside of the drawer while pulling the drawer out and off the drawer rails.

NOTE: Hold the latches outward while installing the drawers.



7 ELM701 Anti-tip Strap (Sold Separately)

OPT





Thank you for choosing Sanus! Please take a moment to let us know how we did:

 Call us: 800-359-5520

 Email us: info@sanus.com

 Leave a review: sanus.com

 Find us on Facebook: [SANUS](https://www.facebook.com/SANUS)  Follow us on Twitter [@sanussystems](https://twitter.com/sanussystems)

Milestone AV Technologies and its affiliated corporations and subsidiaries (collectively, "Milestone"), intend to make this manual accurate and complete. However, Milestone makes no claim that the information contained herein covers all details, conditions, or variations. Nor does it provide for every possible contingency in connection with the installation or use of this product. The information contained in this document is subject to change without notice or obligation of any kind. Milestone makes no representation of warranty, expressed or implied, regarding the information contained herein. Milestone assumes no responsibility for accuracy, completeness or sufficiency of the information contained in this document.

©2013 Milestone AV Technologies, a Duchossois Group Company. All rights reserved. Sanus is a division of Milestone. All other brand names or marks are used for identification purposes and are trademarks of their respective owners.