

SANUS®



THANK YOU FOR CHOOSING **SANUS**
THE #1 TV MOUNT BRAND IN THE US.

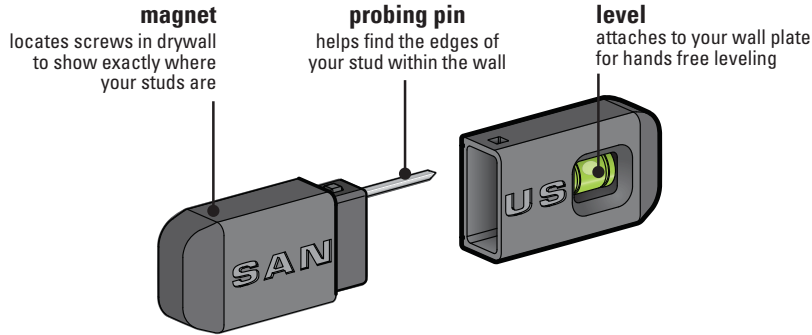
VLL5 Instruction Manual

Scan for easy
install video

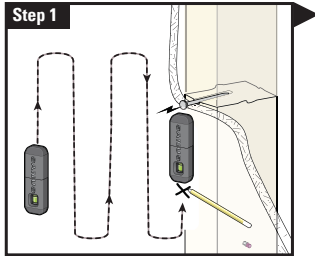


SANUS MAGNETIC STUD FINDER

Designed to find your studs and make life easier – included in hardware kit.



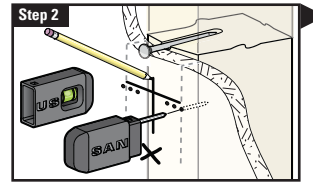
TWO SIMPLE STEPS TO FINDING YOUR STUDS:



Holding it vertically, lightly move the SANUS Magnetic Stud Finder up and down while sliding across your wall. The magnet within will be attracted to the screws in the stud.

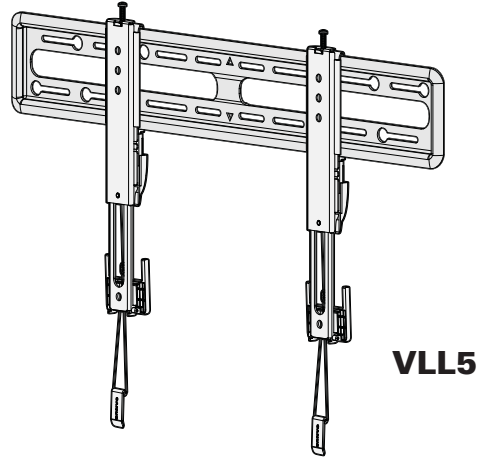
Once the magnet has landed on a screw, place a pencil mark on the wall directly below the magnet.

You can verify this is a stud by moving the Magnetic Stud Finder up or down to find a second or third screw within the wall.



Pull apart the SANUS Magnetic Stud Finder to expose the probing pin within. Starting about $\frac{1}{2}$ inch away from the first pencil mark insert the probing pin into the wall every $\frac{1}{8}$ inch until it inserts completely into the wall. Once that happens, you know you've found one edge of your stud. Repeat this process till you have found the stud edges and center of the stud.

⚠ WARNING: This product contains a magnet. If an implanted medical device such as a pacemaker or implantable cardioverter defibrillator (ICD) is in use, magnetic fields may affect the operation of those devices, resulting in serious injury or death. If you have an implanted medical device, keep at least 13 cm (5in.) between your device and the magnet. Please consult with your physician or medical professional prior to using this product.



We'll Make It Stress-Free

If you have any questions along the way, just give us a call.
1-800-359-5520 (UK: 0800-056-2853) We're ready to help!

Lo haremos sin estrés

Si tiene preguntas mientras realiza la instalación, llámenos.
1-800-359-5520 (Reino Unido: 0800-056-2853) Estamos listos para ayudarlo.

**Para Español
ver página 24**

IMPORTANT SAFETY INSTRUCTIONS – SAVE THESE INSTRUCTIONS – PLEASE READ ENTIRE MANUAL PRIOR TO USE

Before getting started, let's make sure this mount is perfect for you!

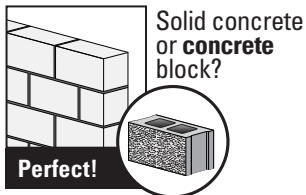
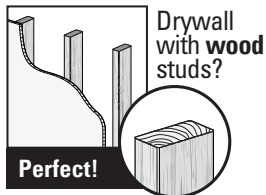
1 Does your TV weigh *more than 125 lb (56.7 kg) including accessories?*



No – Perfect!

Yes – This mount is NOT compatible. Visit MountFinder.Sanus.com or call 1-800-359-5520 (UK: 0800-056-2853) to find a compatible mount.

2 What is your wall made of?



3 Do you have all the tools needed?



Screwdriver



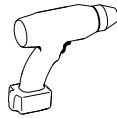
Tape Measure



7/32 in.
(5.5 mm)
Wood
Drill Bit



3/8 in.
(10 mm)
Concrete
Drill Bit



Electric Drill



Hammer



1/2 in.
(13 mm)
Socket Wrench

4 Ready to begin?

Please read through these instructions completely to be sure you're comfortable with this easy install process. Also check your TV owner's manual to see if there are any special requirements for mounting your TV.

If you do not understand these instructions or have doubts about the safety of the installation, assembly or use of this product, contact Customer Service at 1-800-359-5520 (UK: 0800-056-2853).

⚠ CAUTION: Avoid potential personal injuries and property damage!

- This product includes directions and hardware for use with wood stud, solid concrete and concrete block walls – DO NOT install into drywall alone. For information on how to use this product with steel stud walls contact Customer Service and ask about the SSMK1 steel stud mounting kit.
- The wall must be capable of supporting five times the weight of the TV and mount combined.
- Do not use this product for any purpose not explicitly specified by manufacturer.
- Manufacturer is not responsible for damage or injury caused by incorrect assembly or use.

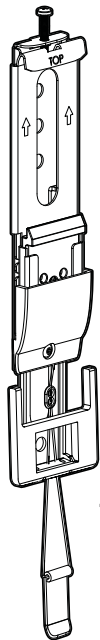
STEP 1 Attach Bracket to TV

Parts and Hardware for STEP 1

⚠ WARNING: This product contains small items that could be a choking hazard if swallowed.

Before starting assembly, verify all parts are included and undamaged. If any parts are missing or damaged, do not return the damaged item to your dealer; contact Customer Service. Never use damaged parts!

📄 NOTE: Not all hardware included will be used.



TV Bracket

01 x2



M4 x 20mm

02 x4



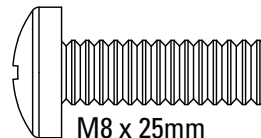
M5 x 20mm

03 x4



M6 x 25mm

04 x4



M8 x 25mm

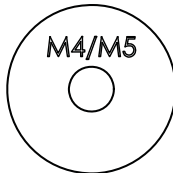
05 x4



M8x30 mm

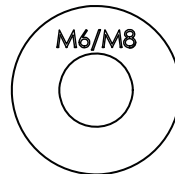
06 x4

TV Washers



M4/M5

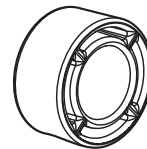
07 x4



M6/M8

08 x4

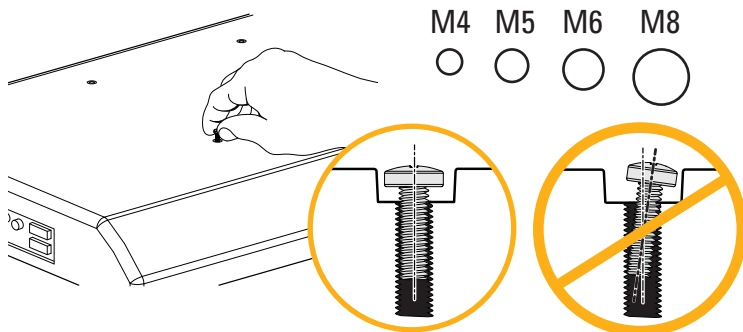
Spacers



09 x4

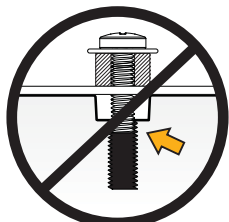
1-1 Select TV Screws

Hand thread screws into the threaded inserts on the back of your TV to determine which screw diameter (M4, M5, M6, or M8) to use.

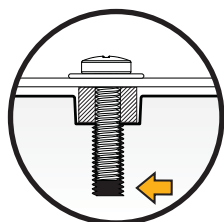


⚠ CAUTION: Verify adequate thread engagement of the screw/ spacer combination on your TV.

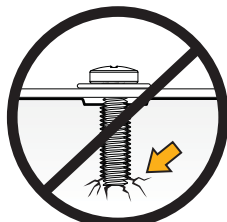
Too short will not hold the TV and too long will damage the TV.



Too Short



Correct

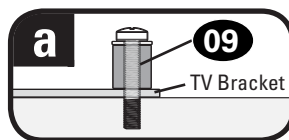


Too Long

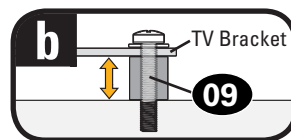
1-2 Spacers

Spacers and screws are supplied to install your TV bracket.

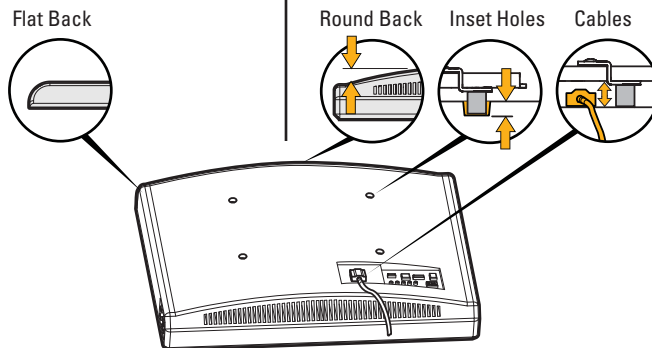
Determine your preference for spacer configuration when attaching your TV bracket.



Mount the spacers **09** above the TV bracket, so the TV bracket sits close to the TV surface.



Mount the spacers **09** under the TV bracket to create extra space needed for irregular shape TV backs or large cables.




1-3 Attach TV Brackets

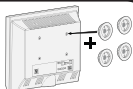
Center the TV brackets **01** over your TV hole pattern as shown. Be sure to use the same holes and that the brackets are level.

 **NOTE:** Loosen the adjustment screws **(A)** on TV brackets **01** to extend the mounting holes over your TV hole pattern.

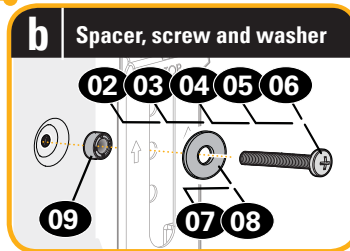
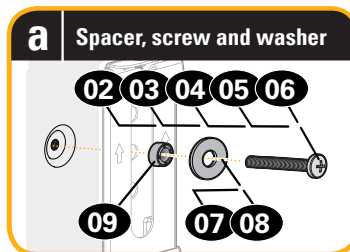
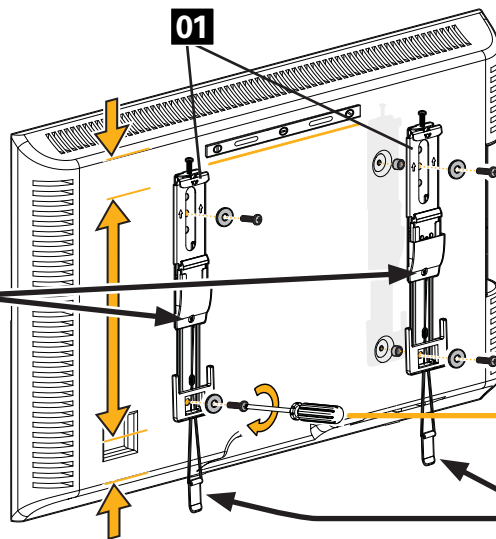
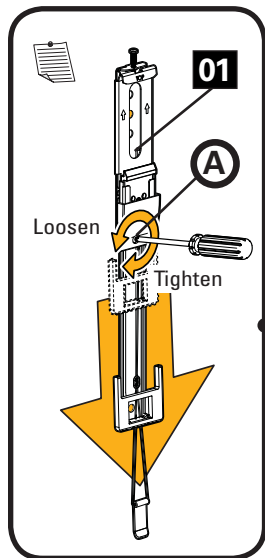
Install using the spacer, TV screw and washer combination you selected for your TV.


 **IMPORTANT:** Tighten the adjustment screws **(A)** on TV brackets **01** when finished.

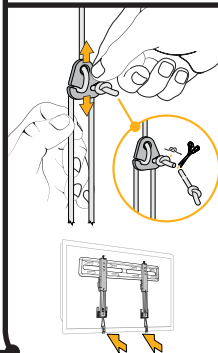
 If your TV included inset spacers or wall mount adapters, see Troubleshooting on PAGES 20-21.



Standard configurations are shown. For special applications, or if you are uncertain about your hardware selection, contact Customer Service at 1-800-359-5520.



 **IMPORTANT:** For ease of access, straps should be level with the bottom of the TV.



STEP 2 Attach Wall Plate to Wall



For wood stud installations, follow STEP 2A on PAGE 9



For concrete installations, follow STEP 2B on PAGE 13

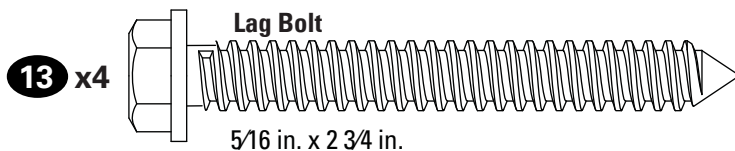
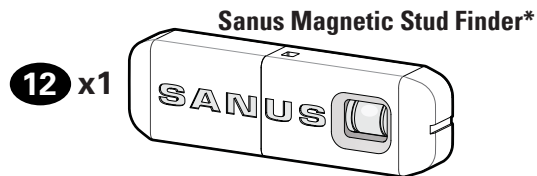
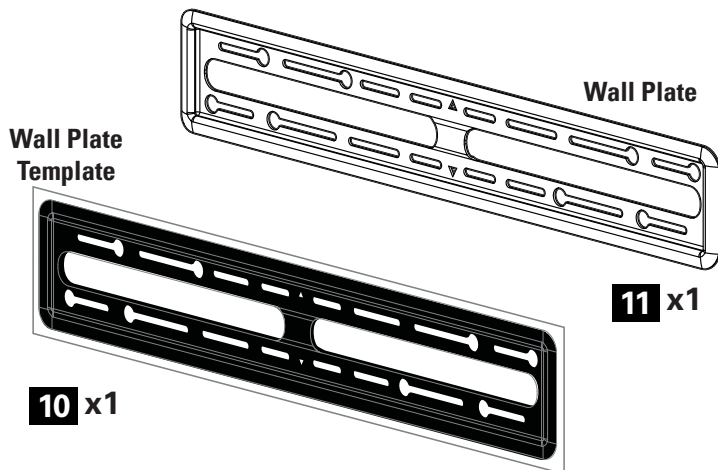
Parts and Hardware for STEP 2

⚠ WARNING: This product contains small items that could be a choking hazard if swallowed.

Before starting assembly, verify all parts are included and undamaged. If any parts are missing or damaged, do not return the damaged item to your dealer; contact Customer Service. Never use damaged parts!

* **⚠ WARNING:** This product contains a magnet. If an implanted medical device such as a pacemaker or implantable cardioverter defibrillator (ICD) is in use, magnetic fields may affect the operation of those devices, resulting in serious injury or death. If you have an implanted medical device, keep at least 13 cm (5 in.) between your device and the magnet. Please consult with your physician or medical professional prior to using this product.

📄 NOTE: Not all hardware included will be used.

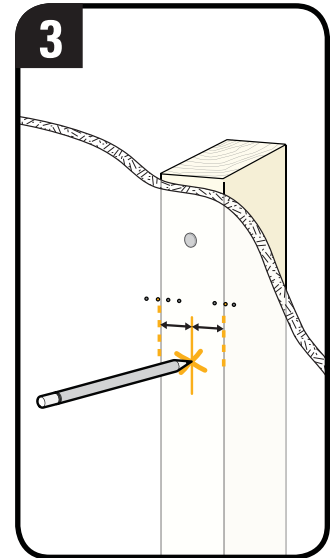
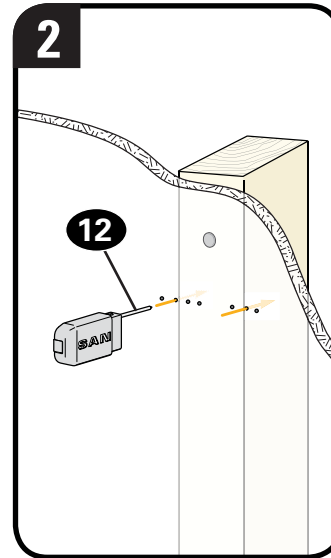
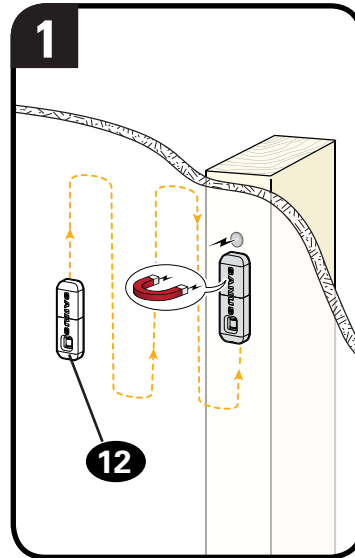
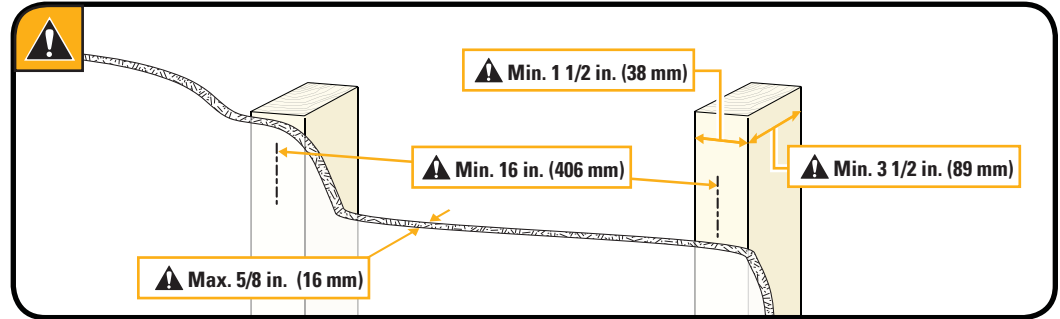


STEP 2A Wood Stud Option

⚠ CAUTION: Avoid potential personal injuries and property damage!

- Drywall covering the wall must not exceed 5/8 in. (16 mm)
- Minimum wood stud size: common 2 x 4 in. (51 x 102 mm) nominal 1½ x 3½ in. (38 x 89 mm)
- Minimum horizontal space between fasteners: 16 in. (406 mm)
- Stud centers must be verified – not all walls have conventional 16 in. (406 mm) or 24 in. (610 mm) stud spacing

1. Locate a nail/screw in the studs using the Sanus magnetic stud finder **12** provided.
2. Find the edges of the studs using the probe of the stud finder **12**.
3. Mark the centers of the studs with a pencil.




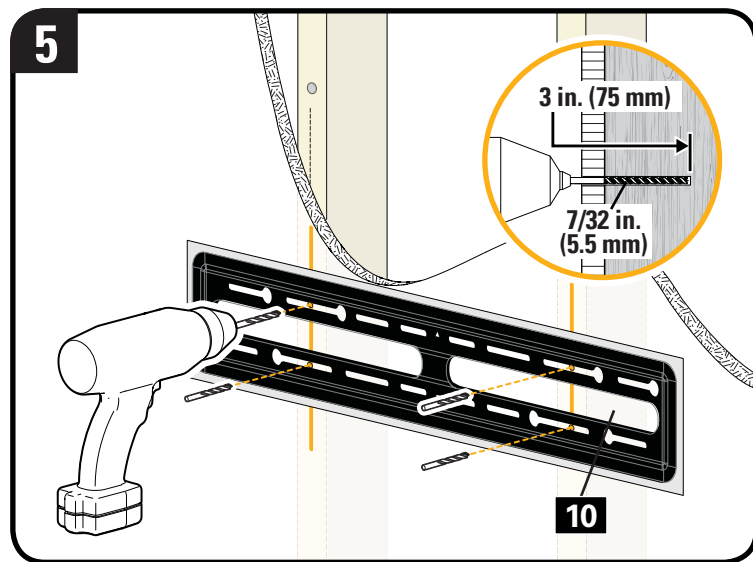
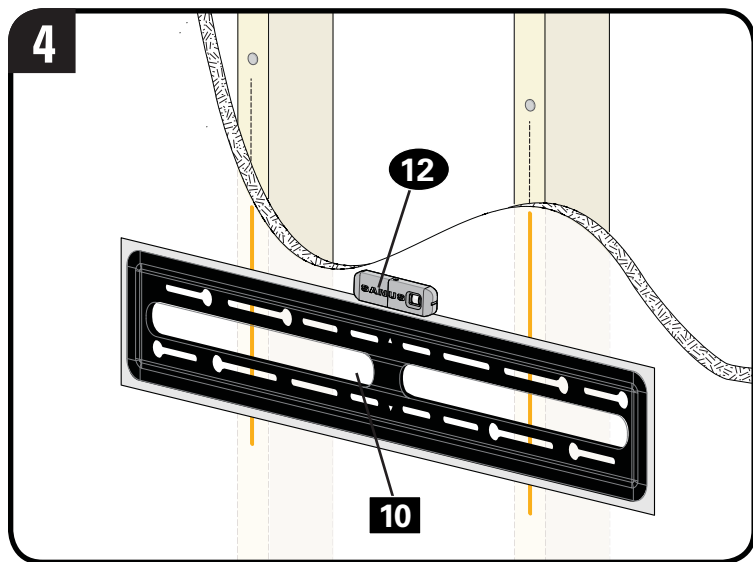
- Place the wall plate template **10** at your desired height and position the slotted holes over your stud center lines. Level the wall plate template **10** and tape in place.

 **NOTE:** For assistance in determining wall plate location, see HeightFinder at sanus.com.


 **IMPORTANT:** Be sure you mark and drill into the center of the stud.

- Drill the four pilot holes using a 7/32 in. (5.5 mm) diameter drill bit.

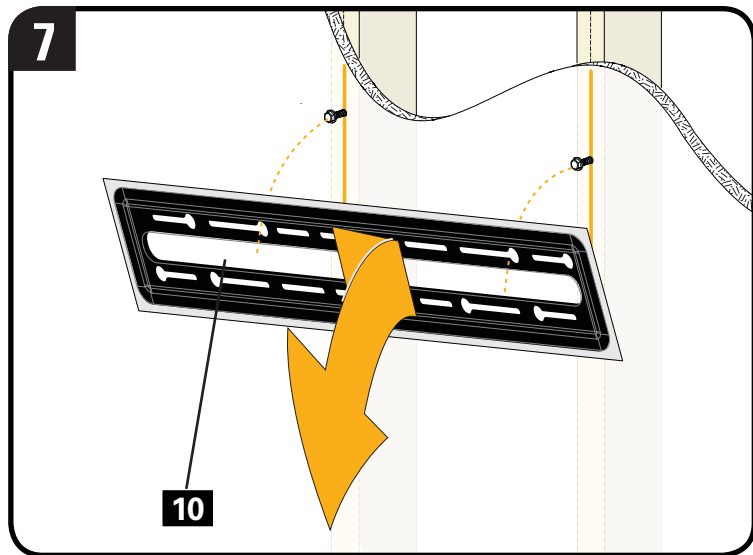
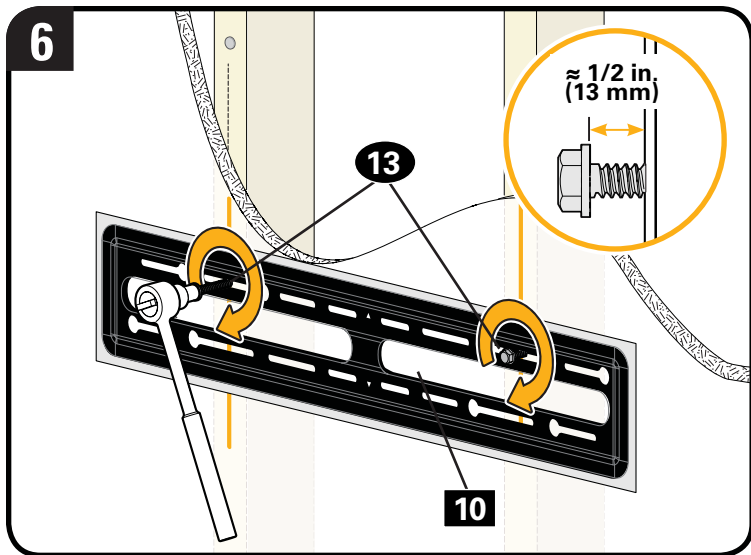
 **IMPORTANT:** Pilot holes must be drilled to a depth of 3 in. (75 mm).



6. Partially install the top two lag bolts **13**, leaving about 1/2 in. (13 mm) space from the wall.


 **NOTE:** This is for 16 in. (406 mm) and 24 in. (610 mm) stud spacings, to allow you to hang the wall plate **11** onto the top lag bolts **13**.

7. Remove the wall plate template **10**.

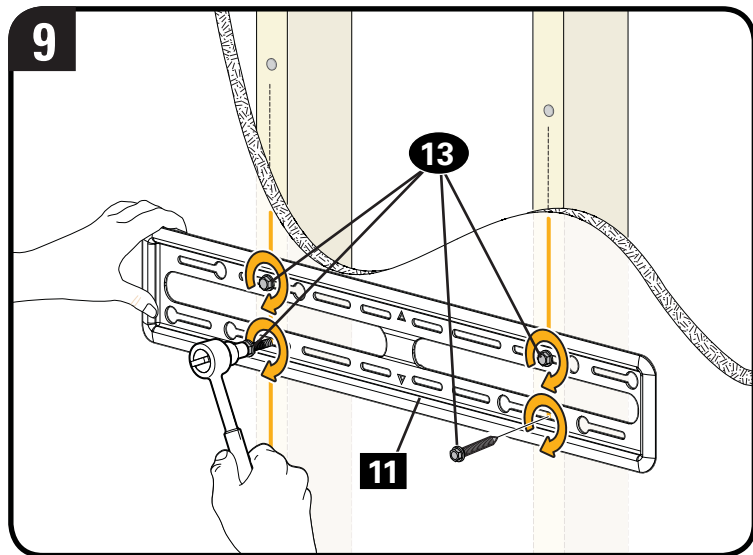
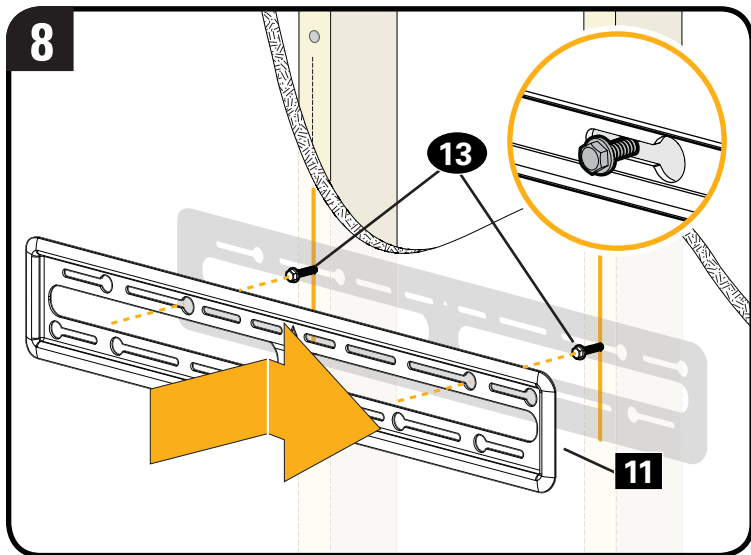


8. Hang the wall plate **11** on the top lag bolts **13** (for 16 in. (406 mm) and 24 in. (610 mm) stud spacings).
9. Install the bottom two lag bolts **13**. Firmly tighten all four lag bolts **13** until they are pulled flush against the wall plate **11**.

 **NOTE:** Hold the wall plate **11** in place when tightening the first lag bolt **13** to keep the plate from shifting out of place.

 **CAUTION:** Avoid potential personal injury or property damage! All four lag bolts **13** MUST BE firmly tightened to prevent unwanted movement of the wall plate **11**. Ensure the wall plate is securely fastened to the wall before continuing on to the next step.

Go to STEP 3 on PAGE 16.



STEP 2B

Solid Concrete or Concrete Block Option

⚠ CAUTION: Avoid potential personal injuries and property damage!

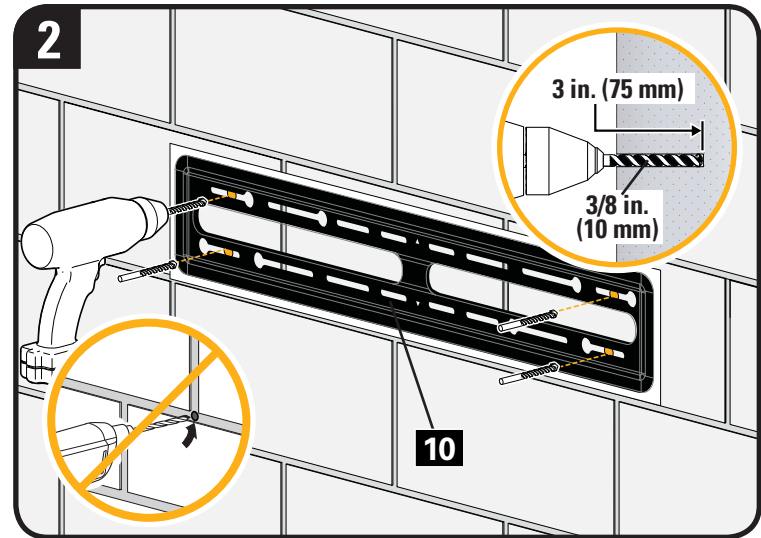
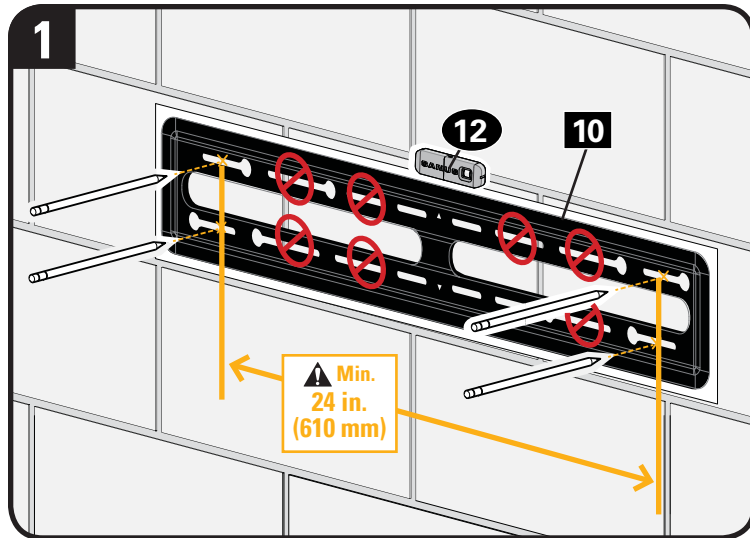
- Mount the wall plate **11** directly onto the concrete surface
- Minimum solid concrete thickness: 8 in. (203 mm)
- Minimum concrete block size: 8 x 8 x 16 in. (203 x 203 x 406 mm)
- Minimum horizontal space between fasteners: 24 in. (610 mm)

1. Position the wall plate template **10** on the wall at your desired height. Level the wall plate template and mark the hole locations.

📄 NOTE: For assistance in determining wall plate location, see Height Finder at sanus.com.

2. Drill four pilot holes using a 3/8 in. (10 mm) diameter drill bit.

⚠ IMPORTANT: Pilot holes must be drilled to a depth of 3 in. (75 mm). Never drill into the mortar between blocks.

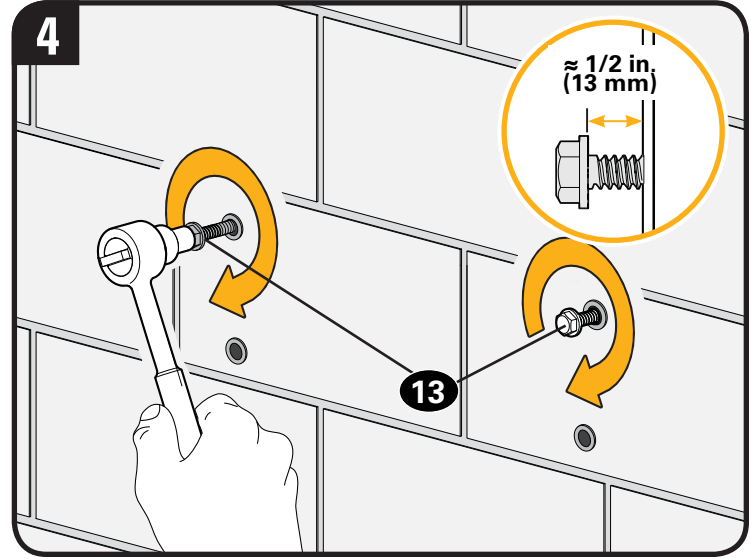
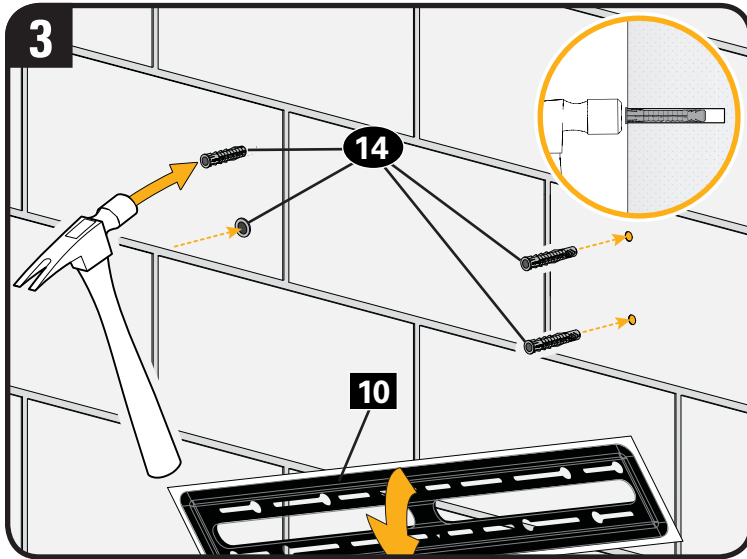


3. Remove the wall plate template **10** and insert four anchors **14**.

⚠ CAUTION: Be sure the anchors **14** are seated flush with the concrete surface.


4. Partially install the top two lag bolts **13**, leaving about 1/2 in. (13 mm) space from the wall.

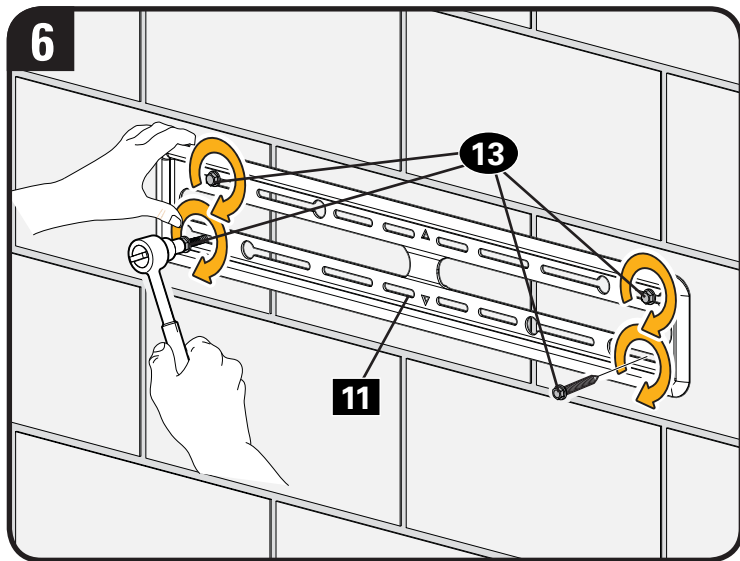
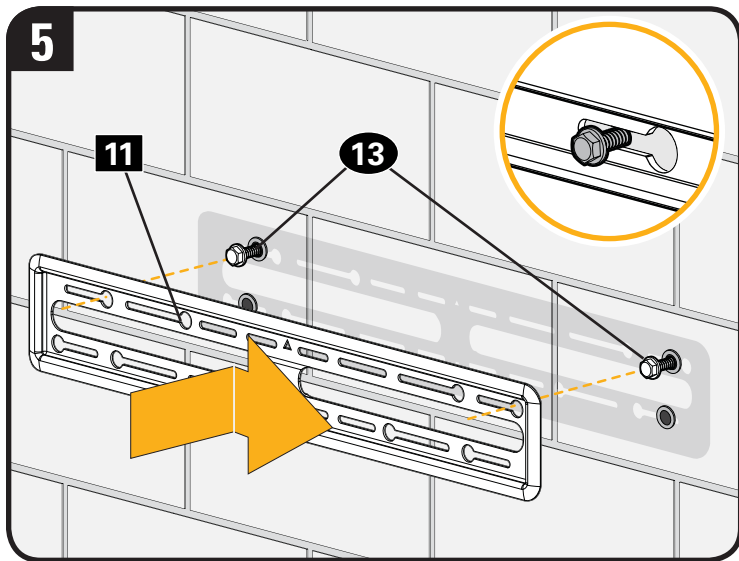
📄 NOTE: This space allows you to hang the wall plate **11** onto the top lag bolts **13**.



5. Hang the wall plate **11** on the top lag bolts **13**.
6. Install the bottom two lag bolts **13**. Firmly tighten all four lag bolts **13** until they are pulled flush against the wall plate **11**.

 **NOTE:** Hold the wall plate **11** in place when tightening the first lag bolt **13** to keep the plate from shifting out of place.

 **CAUTION:** Avoid potential personal injury or property damage! All four lag bolts **13** MUST BE firmly tightened to prevent unwanted movement of the wall plate **11**. Ensure the wall plate is securely fastened to the wall before continuing on to the next step.



STEP 3 Attach TV to Wall Plate




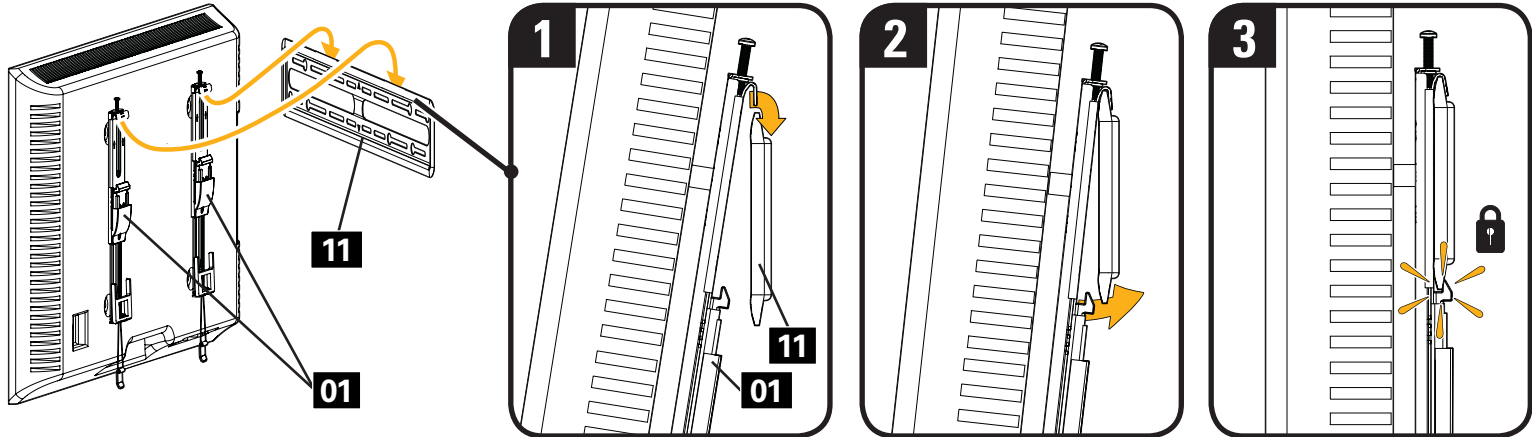
HEAVY! You may need assistance with this step.

1. Hook the TV brackets **01** onto the wall plate **11**.

 **NOTE:** The TV brackets **01** can be slid anywhere along the wall plate **11** for optimal positioning of your TV.

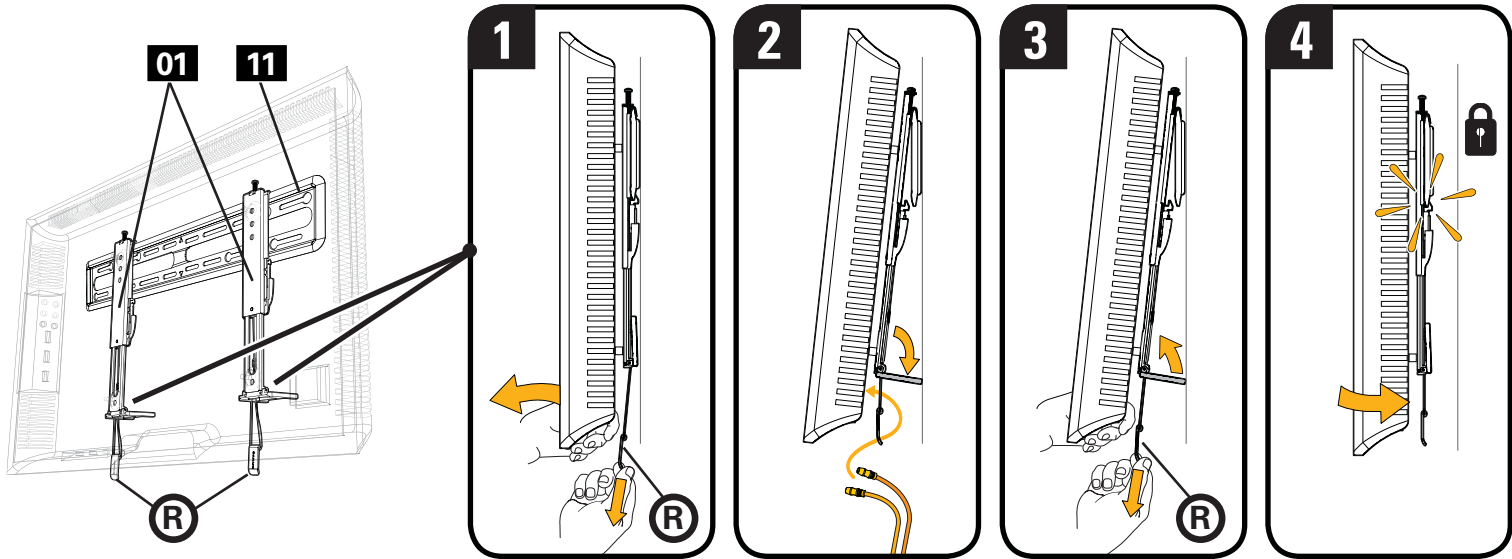
2. Rest the TV into place against the wall.
3. Press the bottom of the TV into the wall plate **11** to ensure the latches lock the TV in place.

 **CAUTION:** Avoid potential personal injury or property damage! Always make sure your TV brackets are in the locked position so the TV is securely fastened to the wall plate **11**.



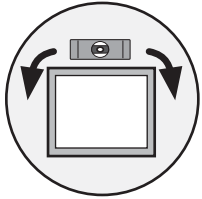
Manage Cables

1. Pull down and hold both release cords **(R)** while gently pulling the bottom of the TV away from the wall until the kick stands fall into place.
⚠ CAUTION: To prevent breaking the locking latch: always pull and hold the release cords **(R)** down while pulling the TV away from the wall.
2. Temporarily rest the TV on the kick stands while assembling the cables on the TV.
⚠ CAUTION: TV is not secured to the wall when it is in the kick stand position. Assistance is recommended for this step.
3. Pull down and hold both release cords **(R)** while gently pulling the bottom of the TV away from the wall to unlock the kick stands.
4. Gently rest the TV back until the brackets click and lock the TV in place.

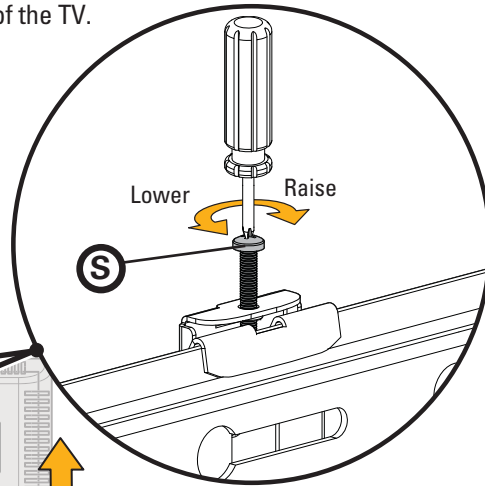
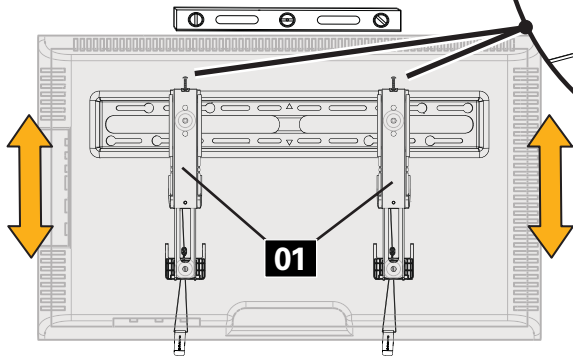


Adjustments

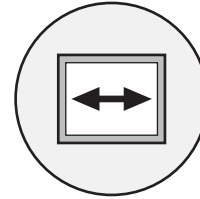
LEVEL



To level your TV, turn the level adjustment screw **(S)** on the top of either TV bracket **01** to raise or lower that respective side of the TV.

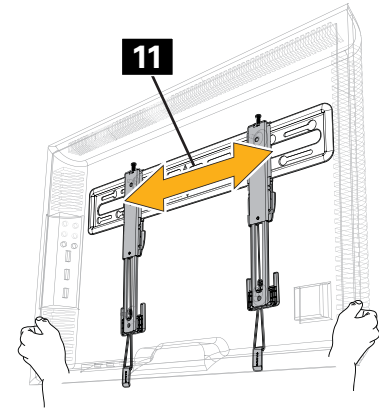


TV LATERAL SHIFT

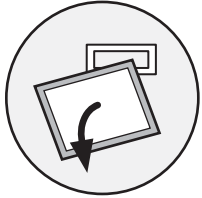


HEAVY! You may need assistance with this step.

Slide the TV left or right along the wall plate **11** to reposition.

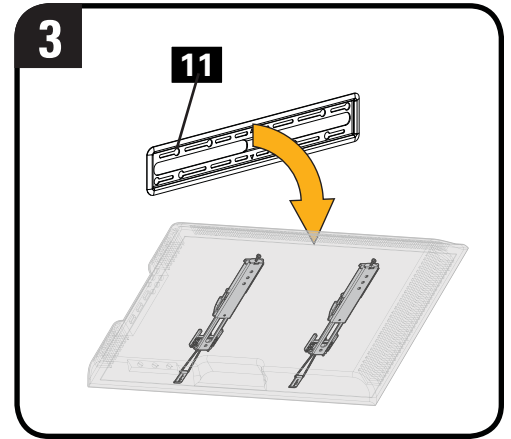
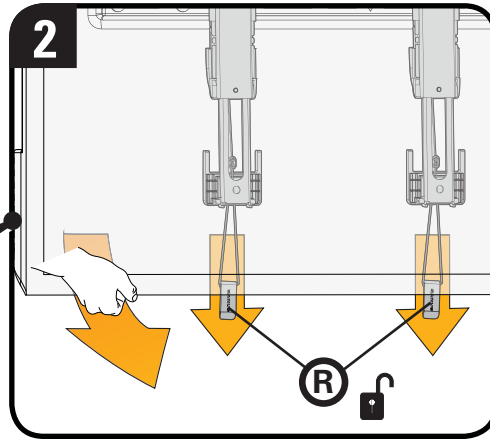
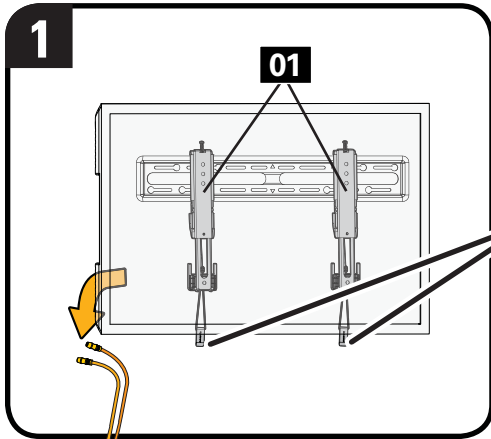


REMOVING THE TV



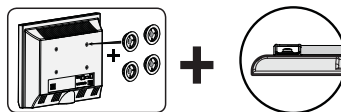
HEAVY! You may need assistance with this step.

1. Disconnect all cables from the TV (see Manage Cables on PAGE 17).
2. Pull the release cords **(R)** on the TV brackets **01** while gently pulling the bottom of the TV away from the wall.
⚠ CAUTION: To prevent breaking the locking latch: always pull and hold the release cords **(R)** down while pulling the TV away from the wall.
3. Lift the TV up and off the wall plate **11**.
📄 NOTE: To rehang the TV, follow the procedures in STEP 3 on PAGE 16.



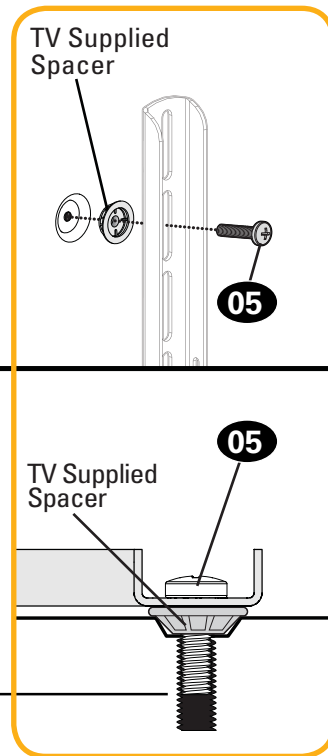
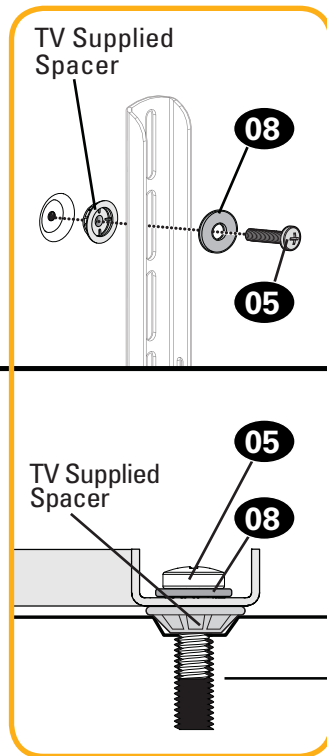
? Troubleshooting

For TVs that come with inset spacers or wall mount adapter rings, and your installation requires **Flat Back / Low Profile**



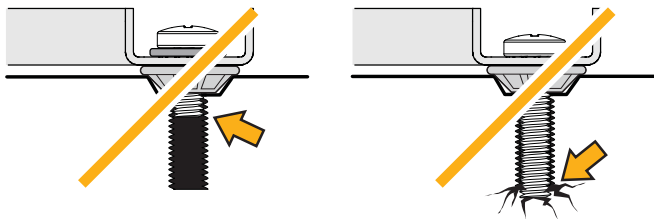
Use your TV supplied spacers and do not use the Sanus spacers **09**.

NOTE: If using the M8x25 mm TV screws **05**, you may or may not need the washers **08**, depending on length of screw engagement.

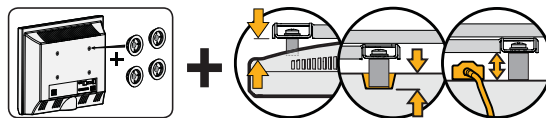


CAUTION: Verify adequate thread engagement with the screw or screw/spacer combination.

- Too short will not hold the TV.
- Too long will damage the TV.

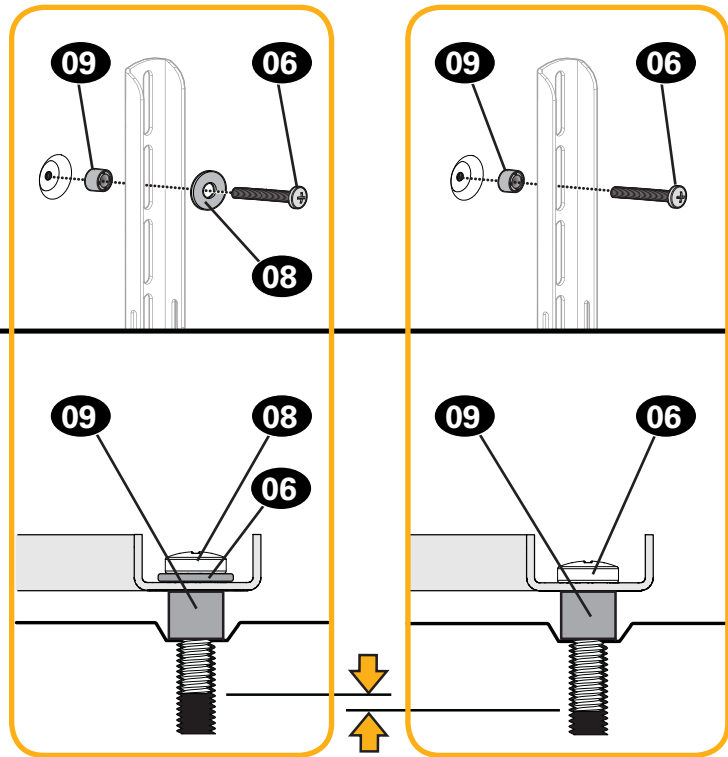
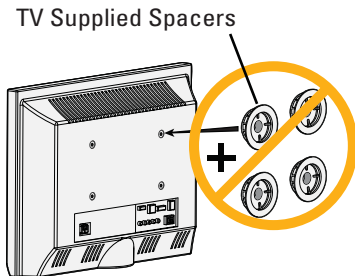


For TVs that come with inset spacers or wall mount adapter rings, and your installation requires **Rounded Back / Extra Space**



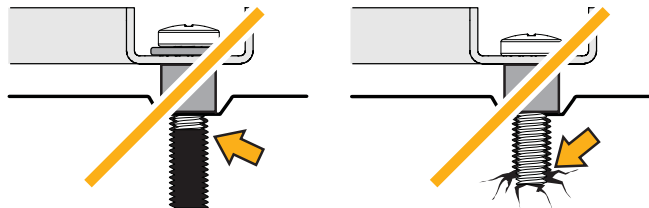
Use the Sanus spacers **09** and longer screws. Do not use your TV supplied spacers.

NOTE: If using the M8x30 mm TV screws **06**, you may or may not need the washers **08**, depending on length of screw engagement.

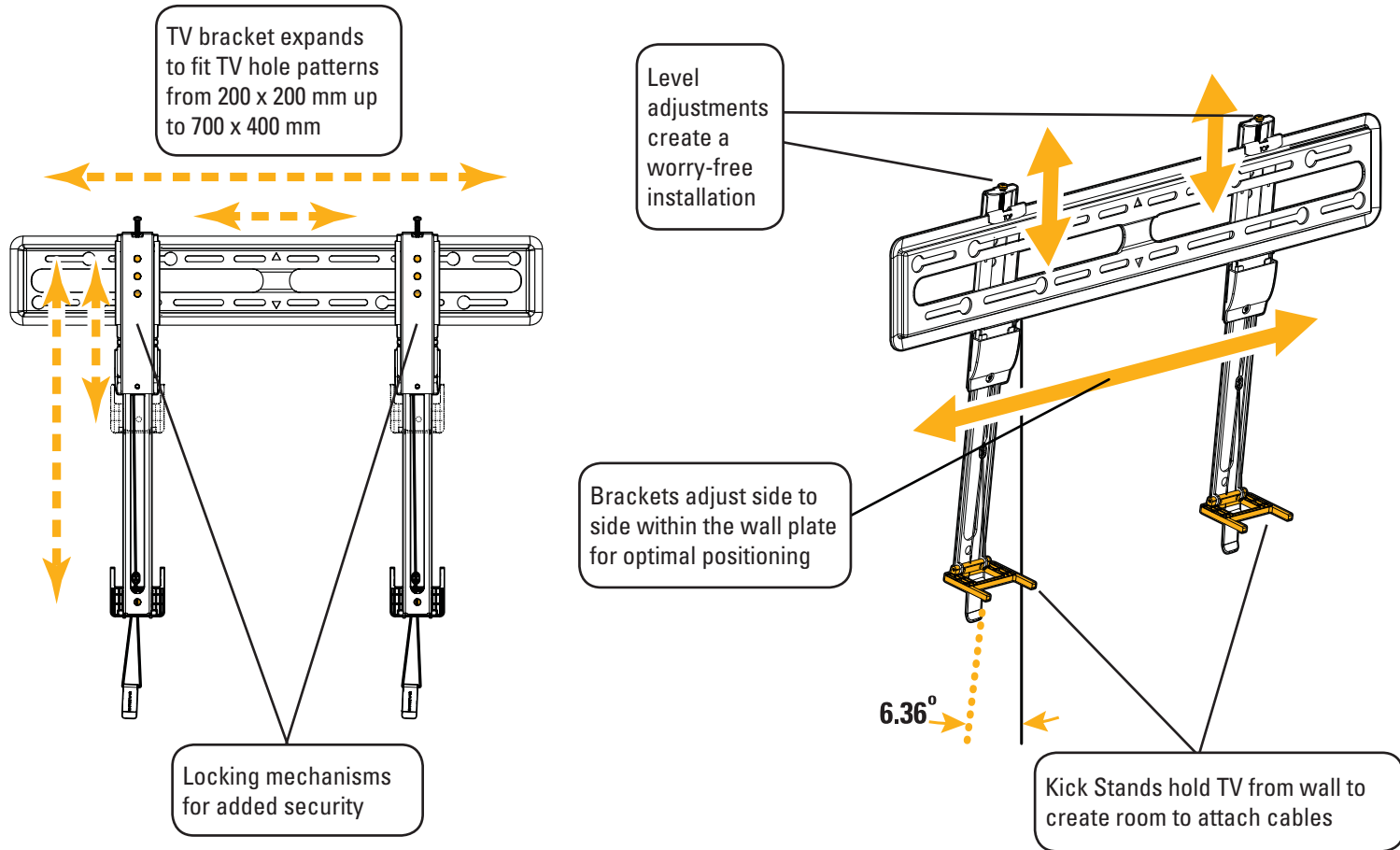


CAUTION: Verify adequate thread engagement with the screw or screw/spacer combination.

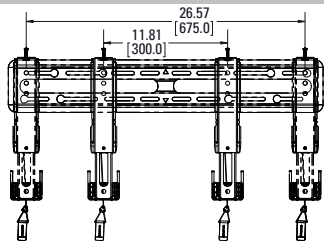
- Too short will not hold the TV.
- Too long will damage the TV.



Features

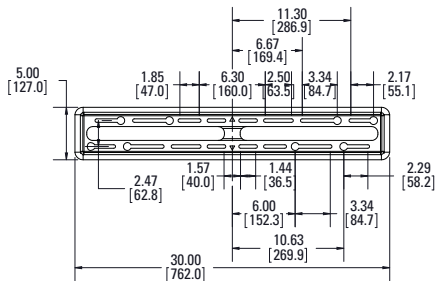


TV INTERFACE



VLL5

WALL PLATE



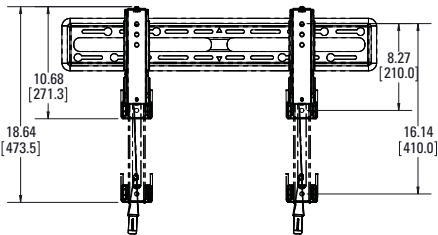
TOP VIEW - EXTENDED



SIDE VIEW - EXTENDED



FULLY ASSEMBLED MOUNT



TOP VIEW - RETRACTED



SIDE VIEW - RETRACTED



Antes de comenzar, verifiquemos que este soporte sea el ideal para sus necesidades.

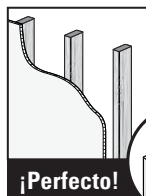
1 ¿Su televisor pesa más de 56,7 kg (125 lb), incluidos los accesorios?



No — ¡Perfecto!

Sí — Este soporte NO es compatible. Visite MountFinder.Sanus.com o llame al 1-800-359-5520 (Reino Unido: 0800-056-2853) para encontrar un soporte compatible.

2 ¿De qué está hecha su pared?



¿Tabiques de yeso con montantes de madera?



¿Hormigón sólido o bloques de cemento?



¿Tabiques de yeso con montantes de acero?



¿No está seguro?

Se requiere el kit para montantes de acero (#SSMK1)

Llame al 1-800-359-5520 (Reino Unido: 0800-056-2853)

3 ¿Tiene todas las herramientas necesarias?



Destornillador



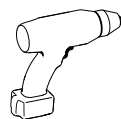
Cinta métrica



5,5 mm (7/32")
Madera
Broca



10 mm (3/8")
Hormigón
Broca



Taladro eléctrico



Martillo



13 mm (1/2")
Llave de tubo

4 ¿Listo para comenzar?

Lea estas instrucciones en su totalidad para estar seguro de sentirse cómodo con este fácil proceso de instalación. Consulte también el manual del usuario de su televisor para ver si existe algún requisito especial para instalar su televisor en la pared. Si no entiende las instrucciones o si tiene dudas acerca de la seguridad de la instalación, del ensamblado o del uso del producto, póngase en contacto con el servicio de atención al cliente al 1-800-359-5520 (Reino Unido: 0800-056-2853).

⚠PRECAUCIÓN: Evite posibles lesiones personales y daños materiales.

- Este producto incluye instrucciones y elementos de sujeción para su instalación en paredes con montantes de madera, en superficies de hormigón y sobre bloques de cemento. NO lo instale en tabiques únicamente de yeso. Para obtener información sobre cómo usar este producto en paredes con montantes de acero, póngase en contacto con el servicio de atención al cliente y pregunte por el kit de montaje en montantes de acero SSMK1.
- La pared debe soportar cinco veces el peso del televisor y del soporte juntos.
- No utilice este producto para ningún otro propósito que no sea el explícitamente especificado por el fabricante.
- El fabricante no se responsabiliza por ningún daño o lesión resultante del montaje incorrecto o de uso indebido.

PASO 1 Colocar las placas de sujeción en el televisor

Piezas y elementos de sujeción para el PASO 1

▲ ADVERTENCIA: Este producto contiene piezas pequeñas que, si fuesen tragadas, podrían producir asfixia.

Antes de iniciar el ensamblaje, compruebe que todas las piezas estén incluidas y en buenas condiciones. Si faltan piezas o alguna está dañada, no devuelva el artículo al distribuidor; póngase en contacto con el servicio de atención al cliente. Nunca utilice piezas deterioradas.

1-1 Seleccionar los tornillos del televisor

Enrosque manualmente los tornillos en los encastres roscados del dorso del televisor a fin de determinar qué diámetro de tornillos (M4, M5, M6 o M8) utilizar.

▲ PRECAUCIÓN: Verifique que la combinación de tornillo y separador enrosque correctamente en su televisor.

Si el tornillo es demasiado corto, el televisor no se sostendrá; si es demasiado largo, dañará el televisor.

1-2 Separadores

Los separadores y tornillos se proporcionan para instalar la placa de sujeción de su televisor.


Determine cuál es su preferencia para la configuración de los separadores al fijar la placa de sujeción de su televisor.

Instale los separadores **09** encima de la placa de sujeción de su televisor, de modo que la placa de sujeción quede cerca de la superficie del televisor para los paneles planos posteriores.

Instale los separadores **09** debajo de la placa de sujeción del televisor para crear más espacio para los televisores con forma irregular en la parte posterior o cables extensos.

1-3 Fijar las placas de sujeción del televisor

Centre las placas de sujeción **01** sobre el patrón de orificios del televisor como se muestra. Asegúrese de usar los mismos orificios y de que las placas de sujeción estén niveladas.

 **NOTA:** Afloje los tornillos de ajuste **A** de las placas de sujeción del televisor **01** para extender los orificios de montaje sobre el patrón de orificios del televisor. Coloque la combinación de separador, tornillo y arandela que seleccionó para su televisor.

⚠ IMPORTANTE: Cuando termine, ajuste los tornillos de ajuste **A** sobre las placas de sujeción **01**.

⚠ IMPORTANTE: Para facilitar el acceso, las correas deben estar niveladas con la parte inferior del televisor.

Se ilustran las configuraciones estándar. Si desea información sobre aplicaciones especiales o si tiene dudas sobre la elección de los elementos de fijación, contáctese con el servicio de atención al cliente. 1-800-359-5520 (Reino Unido: 0800-056-2853)

PASO 2 Fijar la placa mural a la pared

Ver página 8



Para instalaciones sobre montantes de madera, siga el PASO 2A en la PÁGINA 9



Para instalaciones en paredes de hormigón, siga el PASO 2B en la PÁGINA 13

Piezas y elementos de sujeción para el PASO 2

⚠ ADVERTENCIA: Este producto contiene piezas pequeñas que, si fuesen tragadas, podrían producir asfixia. Antes de iniciar el ensamblaje, compruebe que todas las piezas estén incluidas y en buenas condiciones. Si faltan piezas o alguna está dañada, no devuelva el artículo al distribuidor; póngase en contacto con el servicio de atención al cliente. Nunca utilice piezas deterioradas.

* **⚠ ADVERTENCIA:** Este producto contiene un imán. Si utiliza un dispositivo médico implantado como un marcapasos o un desfibrilador automático implantable (DAI), los campos magnéticos pueden afectar el funcionamiento de esos dispositivos y causar heridas de gravedad o la muerte. Si tiene un dispositivo médico implantado, mantenga una distancia de al menos 13 cm (5 pulgadas) entre su dispositivo y el imán. Consulte a su médico antes de utilizar este producto.




NOTA: No todos los accesorios incluidos deberán utilizarse.

PASO 2A Opción para montantes de madera

⚠ PRECAUCIÓN: Evite lesiones y daños materiales.


- El yeso que recubre la pared no debe exceder los 16 mm (5/8").
- Tamaño mínimo del montante de madera: común 51 mm x 102 mm (2" x 4") (nominal 38 mm x 89 mm (1 1/2" x 3 1/2")).
- Espacio horizontal mínimo entre los elementos de sujeción: 406 mm (16 pulgadas)
- Se deben verificar las partes centrales de los pernos, no todas las paredes tienen una separación convencional de 406 mm (16") o 610 mm (24")


1. Encuentre un clavo/tornillo en los montantes con el detector magnético de bordes de montantes **12** incluido.
2. Encuentre los bordes de los montantes con el detector magnético de bordes de montantes **12**.
3. Marque los centros de los montantes con un lápiz.
4. Coloque la plantilla de placa mural **10** a la altura que desee y posicione los orificios en forma de ranura sobre las líneas centrales del montante. Nivele la plantilla de la placa mural **10** y fíjela con cinta adhesiva en el lugar.

 **NOTA:** Si necesita ayuda para determinar la ubicación de la placa mural, utilice la herramienta HeightFinder disponible en sanus.com.

! **IMPORTANTE:** Asegúrese de marcar y perforar el centro del montante.
5. Haga los cuatro orificios guía con una mecha de 5,5 mm (7/32") de diámetro.

! **IMPORTANTE:** Los orificios guía deben realizarse hasta una profundidad de 75 mm (3").
6. Coloque parcialmente los dos pernos tirafondo superiores **13**, dejando aproximadamente 13 mm (1/2") de espacio desde la pared.

 **NOTA:** Este espacio permite retirar la plantilla de la placa mural **10** y colgar la placa mural **11** sobre los pernos superiores **13**.
7. Retire la plantilla de la placa mural **10**.
8. Cuelgue la placa mural **11** sobre los pernos superiores **13**.
9. Instale los dos tornillos tirafondo inferiores **13**. Apriete los cuatro tornillos tirafondo **13** hasta que estén nivelados en la placa mural **11**.

 **NOTA:** Sostenga la placa mural **11** en su lugar mientras ajusta el primer perno **13** para evitar que se mueva fuera de su sitio.

⚠ PRECAUCIÓN: Evite posibles lesiones personales y daños materiales. Los cuatro tornillos tirafondo **13** DEBEN ESTAR apretados firmemente para evitar que la placa mural se desplace **11**. Asegúrese de que la placa mural está fijada con seguridad a la pared antes de proceder con el siguiente paso.

Continúe con el PASO 3 en la PÁGINA 16.

PASO 2B Opción para hormigón sólido o bloques de cemento

▲ PRECAUCIÓN: Evite lesiones y daños materiales.

- Instale la placa mural **11** directamente sobre la superficie de hormigón.
- Espesor mínimo del hormigón: 203 mm (8")
- Tamaño mínimo del bloque de cemento: 203 x 203 x 406 mm (8" x 8" x 16")
- Espacio horizontal mínimo entre los elementos de sujeción: 610 mm (24")

1. Coloque la plantilla de la placa mural **10** en la pared a la altura que desee. Nivele la plantilla de la placa mural y marque la ubicación de los orificios.

 **NOTA:** Si necesita ayuda para determinar la ubicación de la placa mural, utilice la herramienta HeightFinder disponible en sanus.com.

2. Haga los cuatro orificios guía con una mecha de 10 mm (3/8") de diámetro.

⚠ IMPORTANTE: Los orificios guía deben realizarse hasta una profundidad de 75 mm (3"). Nunca perforo el cemento que une los bloques.

3. Retire la plantilla de la placa mural **10** e inserte cuatro anclajes **14**.

▲ PRECAUCIÓN: Cerciórese de que los anclajes **14** queden nivelados respecto de la superficie de hormigón.

4. Coloque parcialmente los dos pernos tirafondo superiores **13**, dejando aproximadamente 13 mm (1/2") de espacio desde la pared.

 **NOTA:** Este espacio le permite colgar la placa mural **11** en los pernos superiores **13**.

5. Cuelgue la placa mural **11** sobre los pernos superiores **13**.

6. Instale los dos tornillos tirafondo inferiores **13**. Apriete los cuatro tornillos tirafondo **13** hasta que estén nivelados en la placa mural **11**.

 **NOTA:** Sostenga la placa mural **11** en su lugar mientras ajusta el primer perno **13** para evitar que se mueva fuera de su sitio.

▲ PRECAUCIÓN: Evite posibles lesiones personales y daños materiales. Los cuatro tornillos tirafondo **13** DEBEN ESTAR apretados firmemente para evitar que la placa mural se desplace **11**. Asegúrese de que la placa mural está fijada con seguridad a la pared antes de proceder con el siguiente paso.


PASO 3 Fijar el televisor a la placa mural

Ver página 16




¡ELEMENTO PESADO! Es posible que necesite ayuda en este paso.

1. Cuelgue las placas de sujeción **01** en la placa mural **11**.

 **NOTA:** Las placas de sujeción del televisor **01** se pueden deslizar hacia cualquier parte junto con la placa mural **11** para lograr un posicionamiento óptimo de su televisor.



2. Apoye el televisor en su lugar contra la pared.
3. Presione la parte inferior del televisor en la placa mural **11** hasta que las placas de sujeción fijen el televisor en su lugar.

 **PRECAUCIÓN:** Evite el riesgo de lesiones y daños materiales. Siempre asegúrese de que las placas de sujeción del televisor estén en la posición bloqueada para que el televisor quede bien sujeto a la placa mural **11**.


Organizar los cables


Ver página 17

1. Jale hacia abajo y sostenga ambos cordones de desenganche  mientras tira con cuidado de la parte inferior del televisor para separarlo de la pared hasta que los pies de apoyo se ubiquen en su lugar.

 **PRECAUCIÓN:** Para que el pasador de seguridad no se rompa, siempre jale y sostenga los cordones de desenganche  hacia abajo y mientras retira el televisor de la pared.

2. Apoye temporalmente el televisor sobre los pies de apoyo mientras instala los cables en el televisor.

 **PRECAUCIÓN:** El televisor no está fijo en la pared cuando se encuentra en la posición de los pies de apoyo. Para este paso, se recomienda que procure asistencia.

3. Jale hacia abajo y sostenga ambos cordones de desenganche  mientras tira con cuidado de la parte inferior del televisor para separarlo de la pared hasta que los pies de apoyo se ubiquen en su lugar.
4. Con cuidado, apoye el dorso del televisor hasta que las placas de sujeción emitan un chasquido y fijen al televisor en su lugar.

NIVEL

Para nivelar su televisor, gire el tornillo de ajuste de nivel **(S)** en la parte superior de alguna de las placas de sujeción **01** para levantar o bajar el lado respectivo del televisor.

DESPLAZAMIENTO LATERAL DEL TELEVISOR



¡ELEMENTO PESADO! Es posible que necesite ayuda en este paso.

Deslice el televisor hacia la izquierda o hacia la derecha junto con la placa mural **11** para cambiar su posición.

EXTRACCIÓN DEL TELEVISOR



¡ELEMENTO PESADO! Es posible que necesite ayuda en este paso.

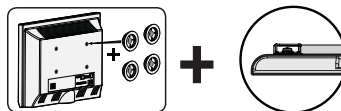
1. Desconecte todos los cables del televisor (Ver Organizar los cables en la PÁGINA 17).
2. Tire de los cordones de desenganche **(R)** en las placas de sujeción **01** mientras tira suavemente de la parte inferior del televisor para retirarlo de la pared.
▲ PRECAUCIÓN: Para que el pasador de seguridad no se rompa, siempre jale y sostenga los cordones de desenganche **(R)** hacia abajo y mientras retira el televisor de la pared.
3. Levante el televisor y retírelo de la placa mural **11**.

📄 NOTA: Para volver a colocar el televisor, siga el procedimiento del PASO 3 en la PÁGINA 16.

Solución de problemas


Ver página 20

Para televisores que incluyen separadores insertados o aros adaptadores para soportes murales, su instalación requiere **dorso plano / perfil bajo**



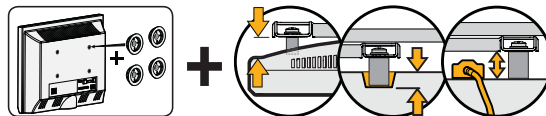
Use los separadores proporcionados con el televisor y no use los separadores Sanus **09**.

 **NOTA:** Si está usando tornillos M8 de 25 mm **05**, es posible que necesite (o no) las arandelas **08**, según la longitud de sujeción del tornillo.

 **PRECAUCIÓN:** Verifique el enrosque adecuado del tornillo o del conjunto tornillo/separador.


- Si es demasiado corto, no sostendrá el televisor.
- Si es demasiado largo, dañará el televisor.

Para televisores que incluyen separadores insertados o aros adaptadores para soportes murales, su instalación requiere **dorso redondeado / espacio adicional**



Use los separadores Sanus **09** y los tornillos más largos. No use los separadores proporcionados con el televisor.

 **NOTA:** Si está usando tornillos M8 de 30 mm **06**, es posible que necesite (o no) las arandelas **08**, según la longitud de sujeción del tornillo.

 **PRECAUCIÓN:** Verifique el enrosque adecuado del tornillo o del conjunto tornillo/separador.

- Si es demasiado corto, no sostendrá el televisor.
- Si es demasiado largo, dañará el televisor.

Descripción

[Ver página 22](#)

La placa de sujeción se expande para adecuarse a televisores con patrones de orificios de 200 x 200 mm hasta 700 x 400 mm.

Los mecanismos de bloqueo brindan una mayor seguridad.

El ajuste del nivel crea una instalación sencilla.

Las placas de sujeción pueden ajustarse de un lado al otro de la placa mural para lograr un posicionamiento óptimo.

Los pies de apoyo sostienen el televisor para crear espacio para conectar los cables

Dimensiones **in. [mm]**

[Ver página 23](#)

Milestone AV Technologies and its affiliated corporations and subsidiaries (collectively, "Milestone"), intend to make this manual accurate and complete. However, Milestone makes no claim that the information contained herein covers all details, conditions, or variations. Nor does it provide for every possible contingency in connection with the installation or use of this product. The information contained in this document is subject to change without notice or obligation of any kind. Milestone makes no representation of warranty, expressed or implied, regarding the information contained herein. Milestone assumes no responsibility for accuracy, completeness or sufficiency of the information contained in this document.

Milestone AV Technologies y sus empresas asociadas y filiales (colectivamente "Milestone") tienen la intención de que este manual sea preciso y completo. Sin embargo, Milestone no garantiza que la información que contiene incluya todos los detalles condiciones y variaciones, ni que contemple toda posible contingencia en conexión con la instalación y uso de este producto. La información contenida en este documento es susceptible de ser modificada sin aviso ni obligación de ningún tipo. Milestone no hace ninguna manifestación de garantía, explícita o implícita, respecto a la información contenida este documento. Milestone no asume ninguna responsabilidad por la exactitud, integridad o suficiencia de la información contenida en este documento.

FOLLOW **SANUS** ON YOUR FAVORITE SOCIAL NETWORKS!

[FACEBOOK.COM/SANUSSYSTEMS](https://www.facebook.com/sanusystems)



Learn ways to get the most out of your space.
Find product updates and more.

[TWITTER.COM/SANUSSYSTEMS](https://twitter.com/sanusystems)



Learn installation tips, tricks and household know-hows.

[YOUTUBE.COM/SANUSSYSTEMS](https://www.youtube.com/sanusystems)



View step-by-step product videos to ease your install experiences.
Find the latest news stories about your favorite SANUS products.

REGISTER YOUR NEW **SANUS** PRODUCT!

1

By registering, you'll be entered to win, and will receive the latest product updates, design tips, and other ways to enhance your life in your home.

2

Visit **SANUS.com/register** to complete your registration and start enjoying all of the benefits SANUS has to offer.

3

Leave a product review and let us know how your install went!



If you ever have questions about your SANUS product, give us a call at 1-800-359-5520. We're ready to help!
'Monthly prize' rules and restrictions apply. Visit SANUS.com for more info.

800-359-5520 (UK: 0800-056-2853) • info@sanus.com • sanus.com

©2014 Milestone AV Technologies. All rights reserved. SANUS is a division of Milestone.
All other brand names or marks are used for identification purposes and are trademarks of their respective owners.

SANUS • 6436 City West Parkway • Eden Prairie, MN 55344 USA

6901-002417 00