

SANUS®



THANK YOU FOR CHOOSING **SANUS**
THE #1 TV MOUNT BRAND IN THE US.

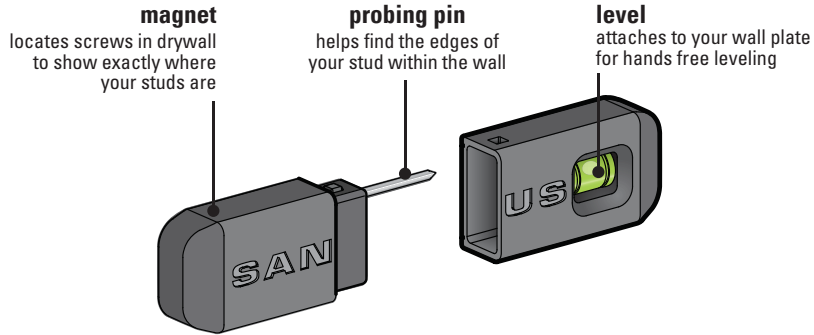
VMF518 Instruction Manual

Scan for easy
install video

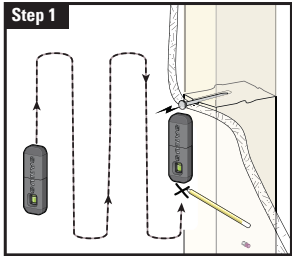


SANUS MAGNETIC STUD FINDER

Designed to find your studs and make life easier – included in hardware kit.



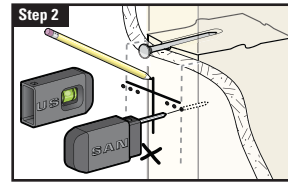
TWO SIMPLE STEPS TO FINDING YOUR STUDS:



Holding it vertically, lightly move the SANUS Magnetic Stud Finder up and down while sliding across your wall. The magnet within will be attracted to the screws in the stud.

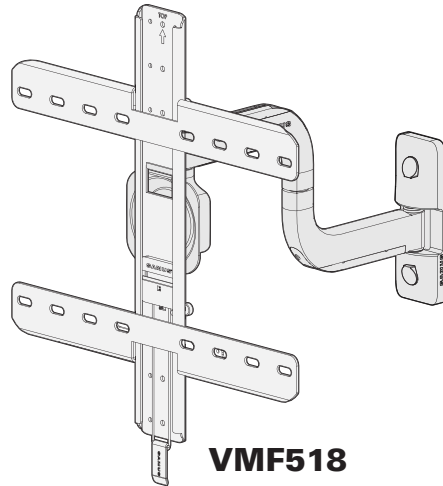
Once the magnet has landed on a screw, place a pencil mark on the wall directly below the magnet.

You can verify this is a stud by moving the Magnetic Stud Finder up or down to find a second or third screw within the wall.



Pull apart the SANUS Magnetic Stud Finder to expose the probing pin within. Starting about $\frac{1}{2}$ inch away from the first pencil mark insert the probing pin into the wall every $\frac{1}{8}$ inch until it inserts completely into the wall. Once that happens, you know you've found one edge of your stud. Repeat this process till you have found the stud edges and center of the stud.

⚠ WARNING: This product contains a magnet. If an implanted medical device such as a pacemaker or implantable cardioverter defibrillator (ICD) is in use, magnetic fields may affect the operation of those devices, resulting in serious injury or death. If you have an implanted medical device, keep at least 13 cm (5in.) between your device and the magnet. Please consult with your physician or medical professional prior to using this product.



VMF518

We'll Make It Stress-Free

If you have any questions along the way, just give us a call.
1-800-359-5520 (UK: 0800-056-2853) We're ready to help!

Lo haremos sin estrés

Si tiene preguntas mientras realiza la instalación, llámenos.
1-800-359-5520 (Reino Unido: 0800-056-2853) Estamos listos para ayudarlo.

IMPORTANT SAFETY INSTRUCTIONS – SAVE THESE INSTRUCTIONS – PLEASE READ ENTIRE MANUAL PRIOR TO USE

Before getting started, let's make sure this mount is perfect for you!

Para Español ver página 26

1 Does your TV weigh (including accessories) *more* than 75 lbs. (34 kg)?

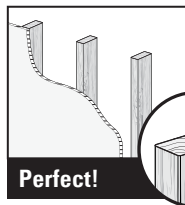


No — Perfect!

Yes — This mount is NOT compatible. Visit MountFinder.Sanus.com or call 1-800-359-5520 (UK: 0800-056-2853) to find a compatible mount.

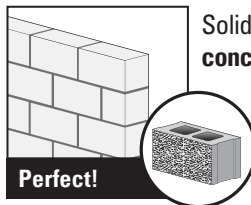
2 What is your wall made of?

CAUTION:
DO NOT install into drywall alone



Drywall with wood studs?

Perfect!



Solid concrete or concrete block?

Perfect!



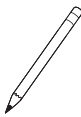
Unsure?

Call Customer Service:
1-800-359-5520 (UK: 0800-056-2853)

3 Do you have all the tools needed?



Tape Measure



Pencil



Screwdriver



Electric Drill



1/2 in. (13 mm) Socket Wrench

Wood Stud Install



7/32 in. (5.5 mm) Wood Drill Bit

Concrete Install



3/8 in. (10 mm) Concrete Drill Bit



Hammer

4 Ready to begin?

Please read through these instructions completely to be sure you're comfortable with this easy install process. Also check your TV owner's manual to see if there are any special requirements for mounting your TV.

If you do not understand these instructions or have doubts about the safety of the installation, assembly or use of this product, contact Customer Service at 1-800-359-5520 (UK: 0800-056-2853).

CAUTION: Avoid potential personal injuries and property damage!

- This product is designed for use in wood stud, solid concrete, and concrete block walls - DO NOT install into drywall alone
- The wall must be capable of supporting five times the weight of the TV and mount combined
- Do not use this product for any purpose not explicitly specified by manufacturer
- Manufacturer is not responsible for damage or injury caused by incorrect assembly or use

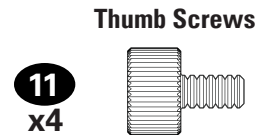
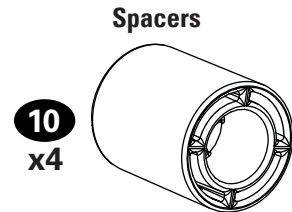
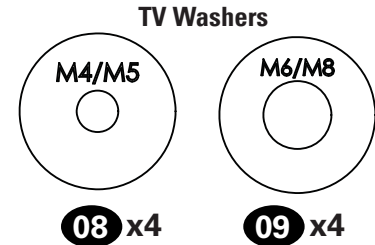
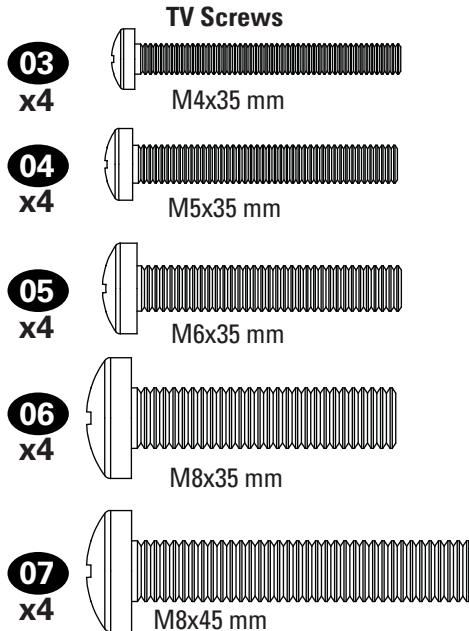
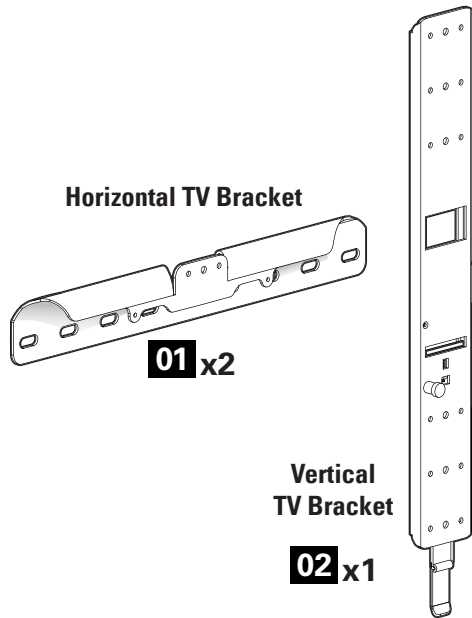
STEP 1 Attach Bracket to TV

Parts and Hardware for STEP 1

⚠ WARNING: This product contains small items that could be a choking hazard if swallowed.

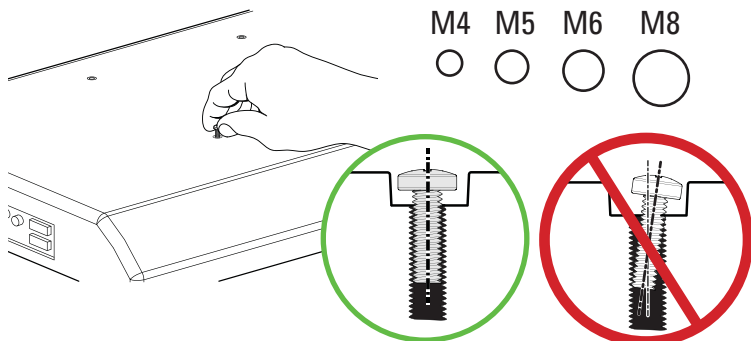
Before starting assembly, verify all parts are included and undamaged. If any parts are missing or damaged, do not return the damaged item to your dealer; contact Customer Service. Never use damaged parts!

📄 NOTE: Not all hardware included will be used.



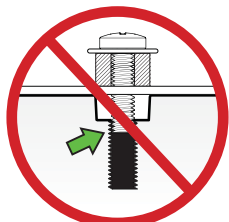
1.1 Select TV Screws

Hand thread screws into the threaded inserts on the back of your TV to determine which screw diameter (M4, M5, M6, or M8) to use.

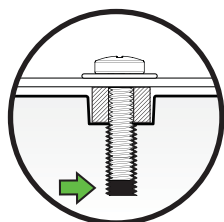


⚠ CAUTION: Verify adequate thread engagement of the screw/ spacer combination on your TV.

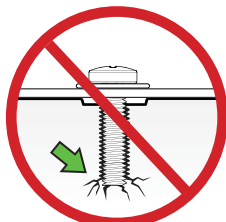
Too short will not hold the TV and too long will damage the TV.



Too Short



Correct

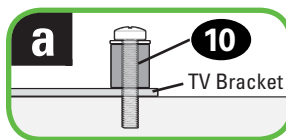


Too Long

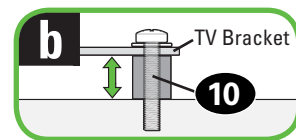
1.2 Spacers

Spacers and screws are supplied to install your TV bracket.

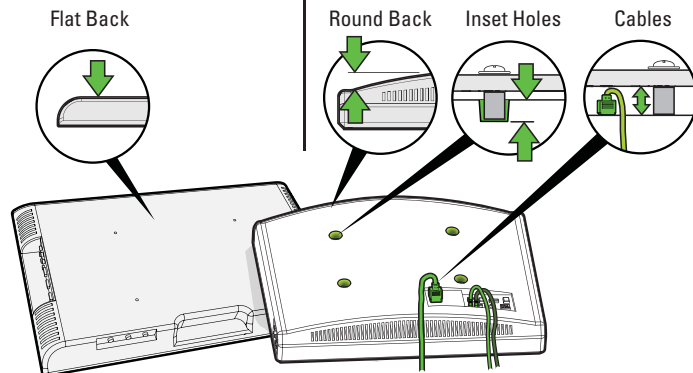
Determine your preference for spacer configuration when attaching your TV bracket.



Mount the spacers **10** above the TV bracket, so the TV bracket sits close to the TV surface.




Mount the spacers **10** under the TV bracket to create extra space needed for irregular shape TV backs or large cables.

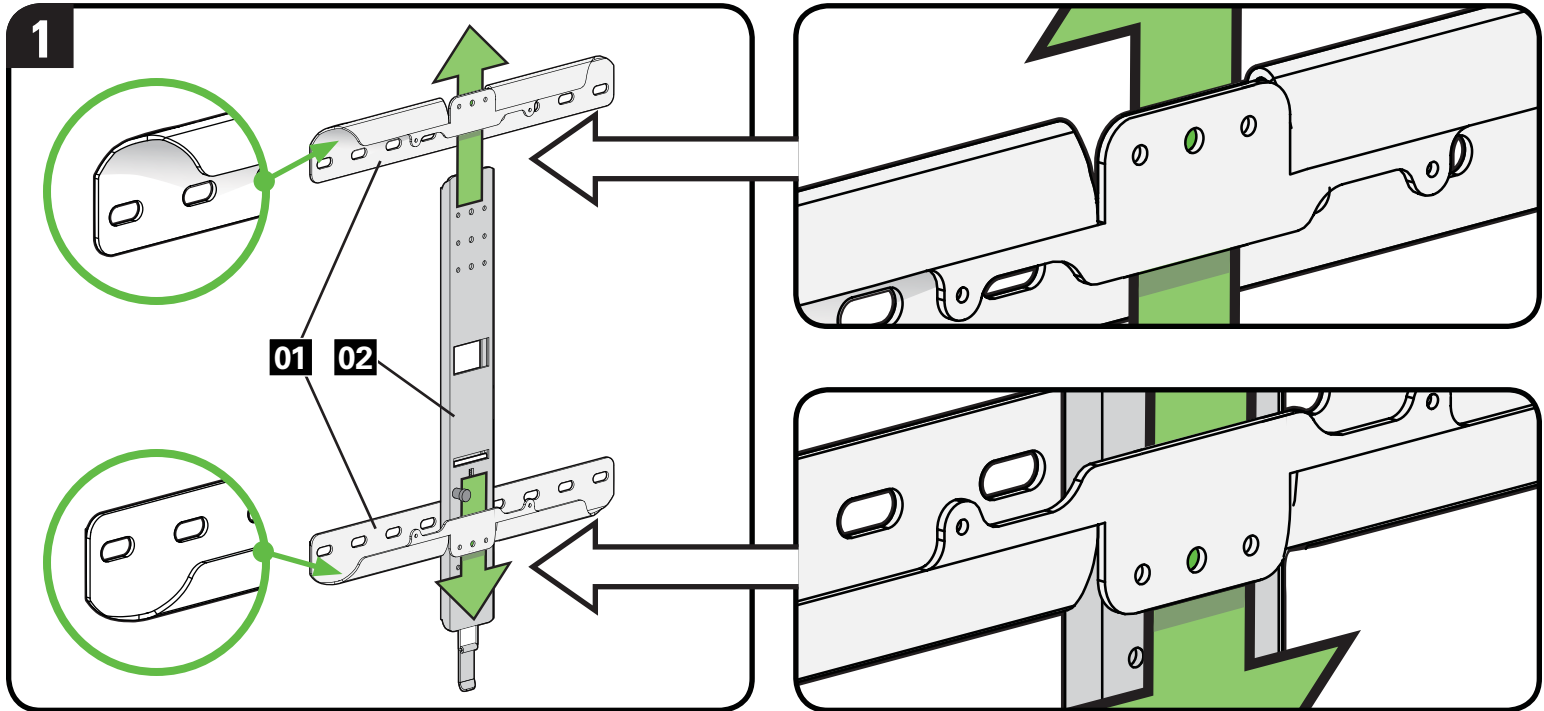


1.3 Attach TV Brackets

1. Slide the horizontal TV brackets **01** over the ends of the vertical TV bracket **02**.

 **NOTE:** The horizontal and vertical TV brackets must be oriented in the positions shown.

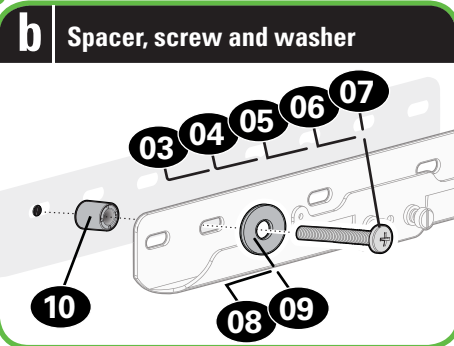
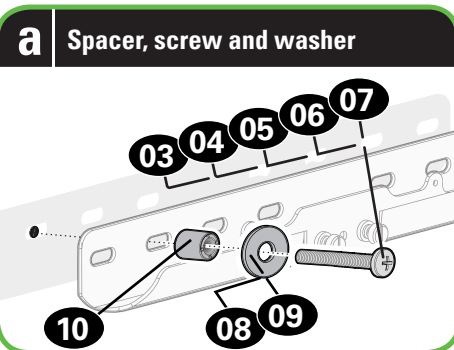
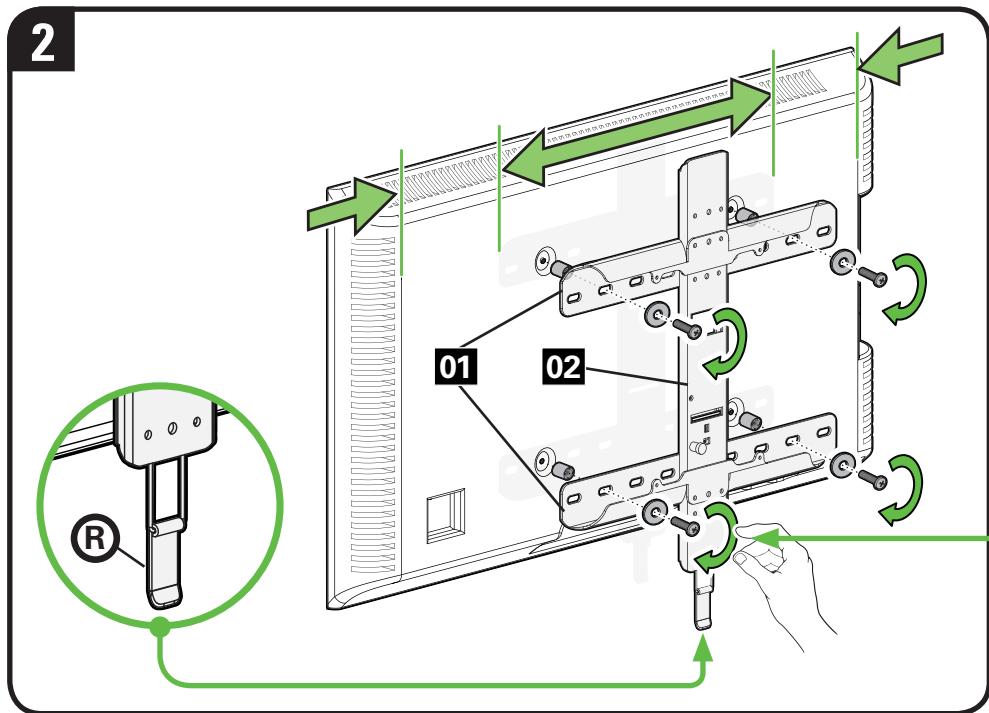
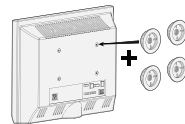
Standard configurations are shown. For special applications, or if you are uncertain about your hardware selection, contact Customer Service at 1-800-359-5520.



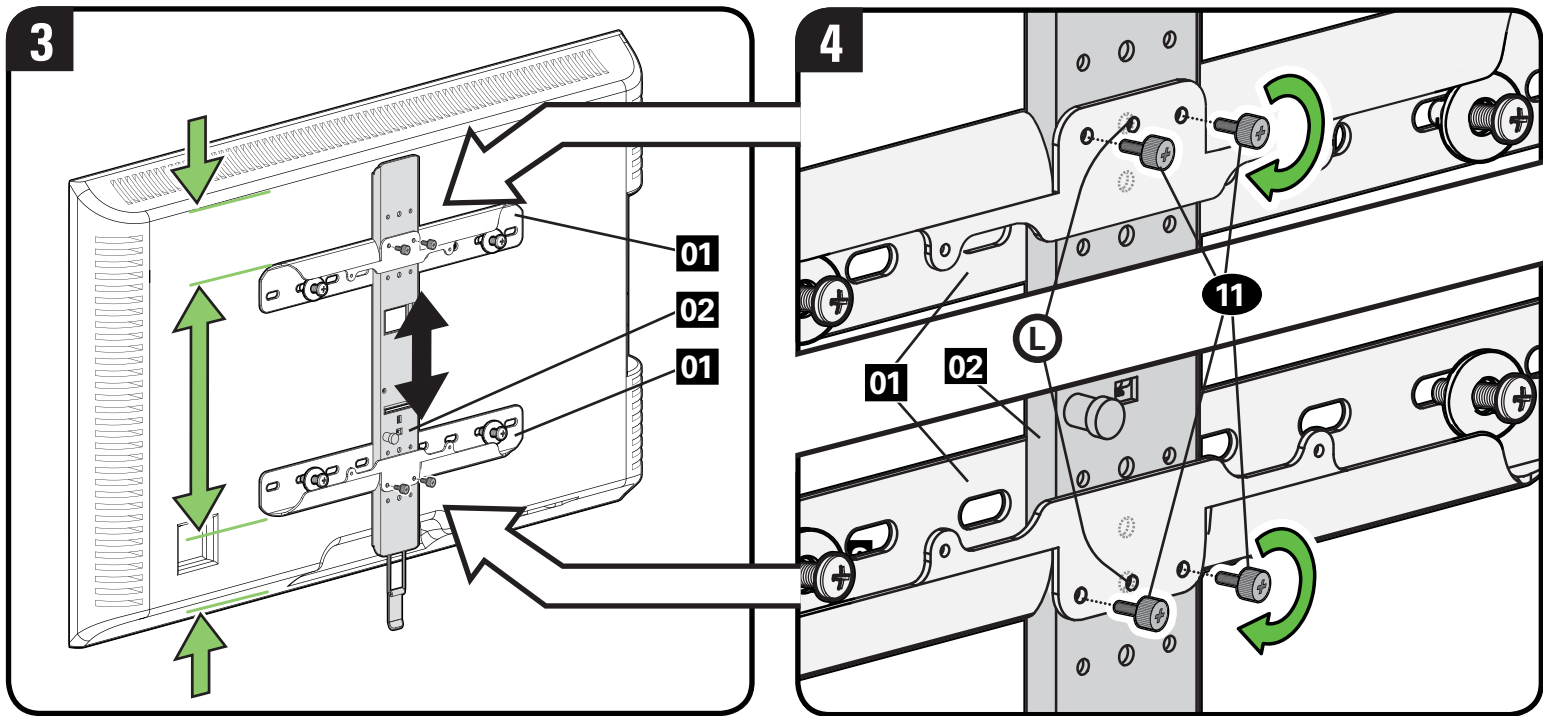
2. Position the TV bracket assembly over your TV hole pattern, center horizontally and LOOSELY install using the spacer, screw and washer combination you selected for your TV.

⚠ CAUTION: Avoid potential personal injury or property damage! The TV Bracket assembly **MUST BE** installed with the release cord **(R)** oriented **on the bottom** of the TV as shown.

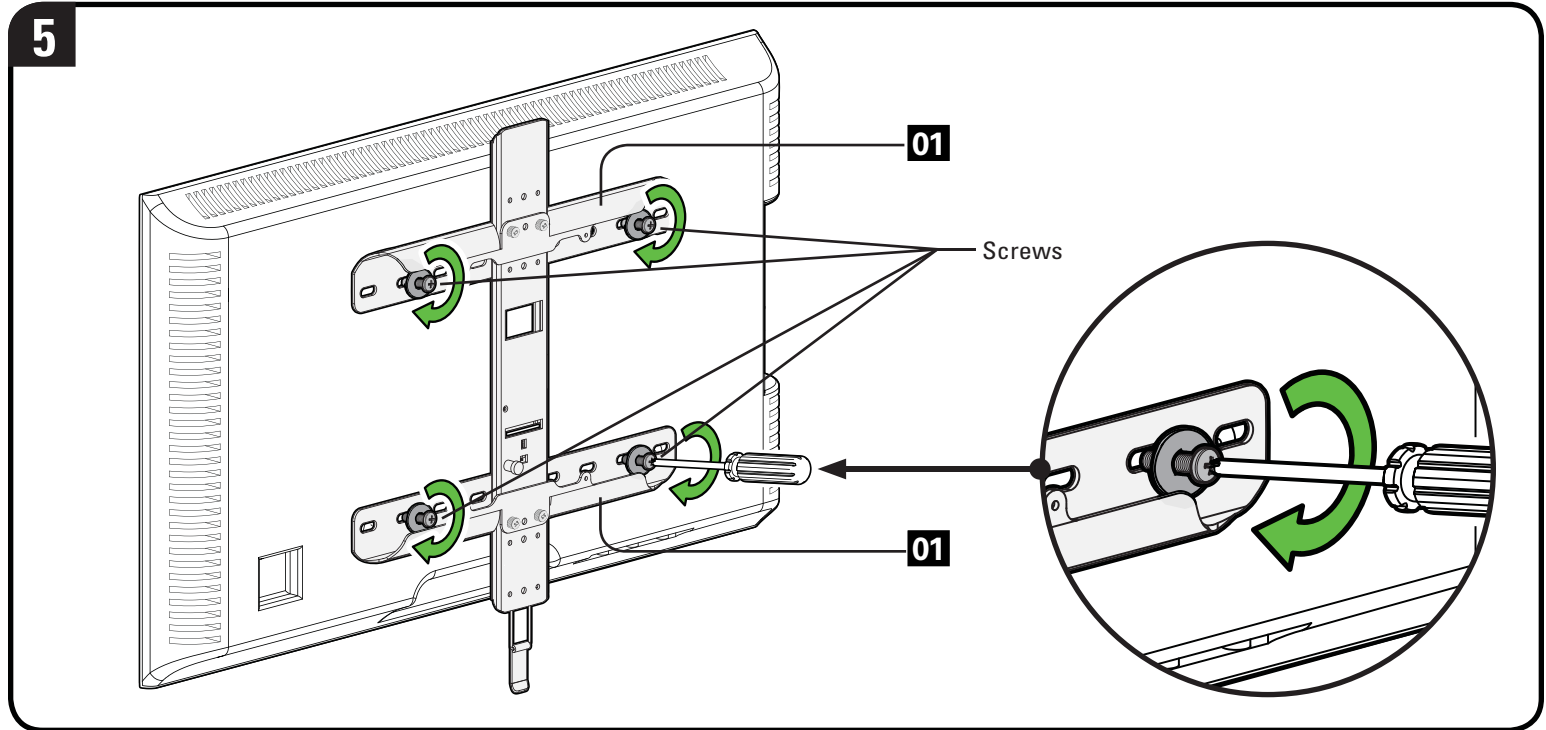
? If your TV included inset spacers or wall mount adapters, see Troubleshooting on PAGES 26-27.



- Vertically center TV bracket **02**.
- Visually line up the locator holes **(L)** in the horizontal TV brackets **01** with a hole in the vertical TV bracket **02** and install using four screws **11**.



5. Securely tighten the four screws (from PAGE 8) on the horizontal TV brackets **01**.



STEP 2 Attach Arm Assembly/Wall Plate to Wall

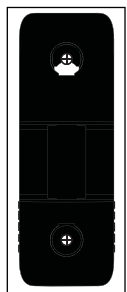
Parts and Hardware for STEP 2

⚠ WARNING: This product contains small items that could be a choking hazard if swallowed. Before starting assembly, verify all parts are included and undamaged. If any parts are missing or damaged, do not return the damaged item to your dealer; contact Customer Service. Never use damaged parts!

* **⚠ WARNING:** This product contains a magnet. If an implanted medical device such as a pacemaker or implantable cardioverter defibrillator (ICD) is in use, magnetic fields may affect the operation of those devices, resulting in serious injury or death. If you have an implanted medical device, keep at least 13 cm (5 in.) between your device and the magnet. Please consult with your physician or medical professional prior to using this product.

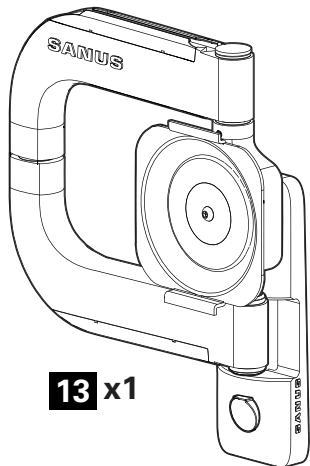
📄 NOTE: Not all hardware included will be used.

Wall Plate
Template



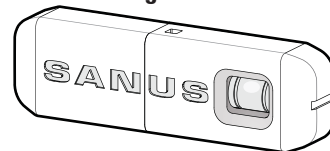
12 x1

Arm Assembly/Wall Plate



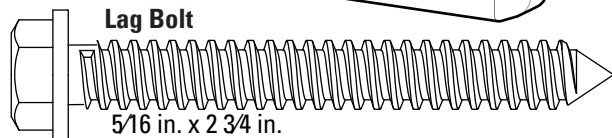
13 x1

Sanus Magnetic Stud Finder *



14 x1

Lag Bolt



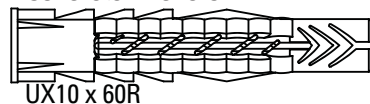
15 x4

5/16 in. x 2 3/4 in.

For concrete installations ONLY

⚠ CAUTION: Do not use in drywall or wood

Concrete Anchors



16 x4

UX10 x 60R

STEP 2A

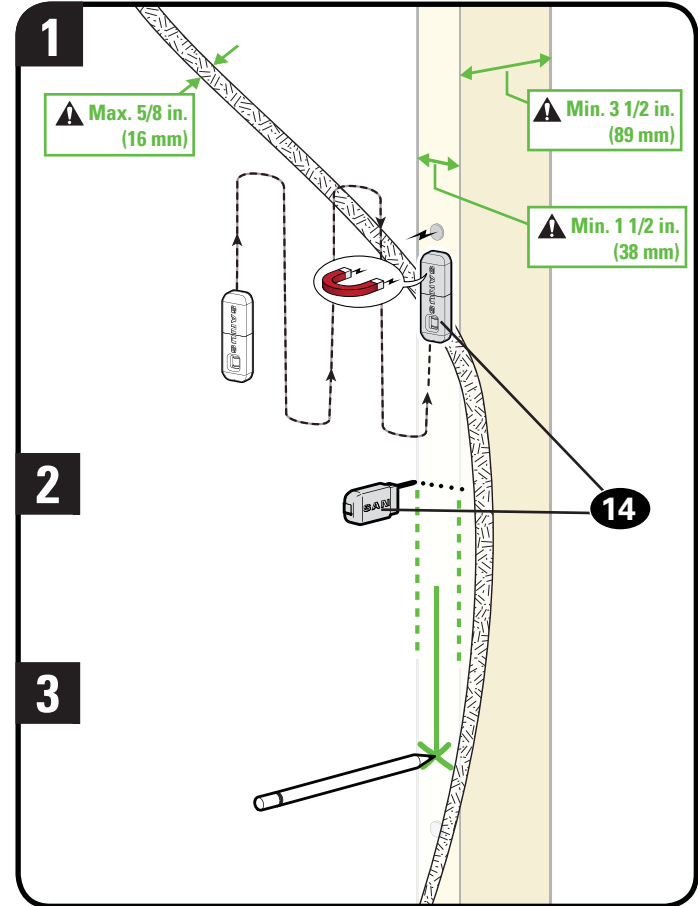


Wood Stud Option

⚠ CAUTION: Avoid potential personal injuries and property damage!

- Drywall covering the wall must not exceed 5/8 in. (16 mm)
- Minimum wood stud size: common 2 x 4 in. (51 x 102 mm) nominal 1½ x 3½ in. (38 x 89 mm)
- Stud center must be verified

1. Locate a nail/screw in the stud using the Sanus magnetic stud finder **14** provided.
2. Find the edges of the stud using the probe of the stud finder **14**.
3. Mark the center of the stud with pencil.



4. Place the wall plate template **12** at your desired height and position the slotted holes over your stud center line. Level the wall plate template **12** and tape in place.

 **NOTE:** For assistance in determining wall plate location, see HeightFinder at sanus.com.

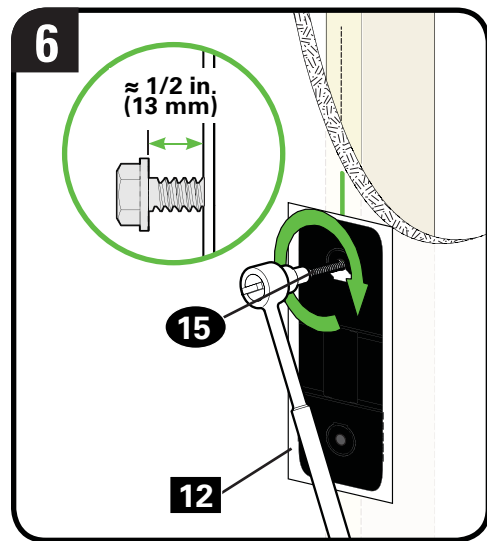
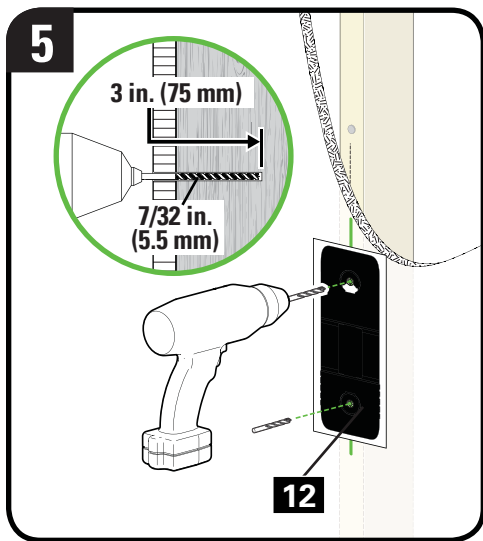
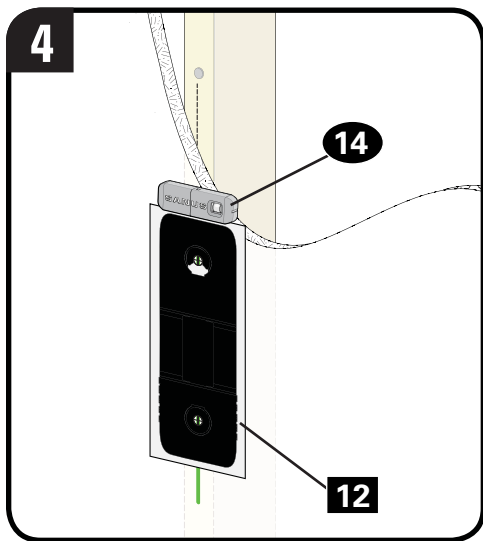
 **IMPORTANT:** Be sure you mark and drill into the center of the stud.

5. Drill the two pilot holes using a 7/32 in. (5.5 mm) diameter drill bit.

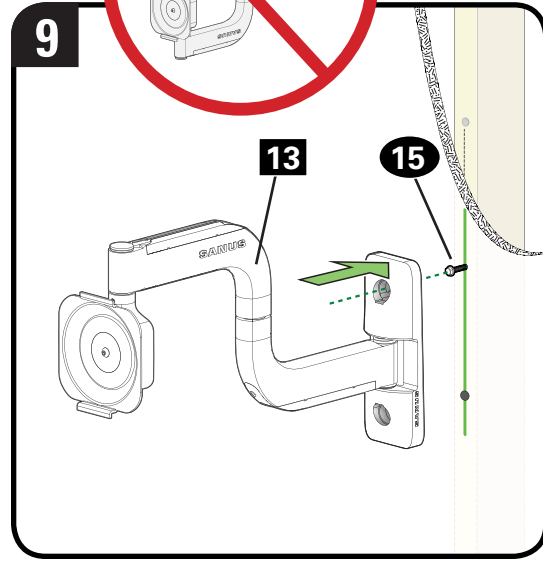
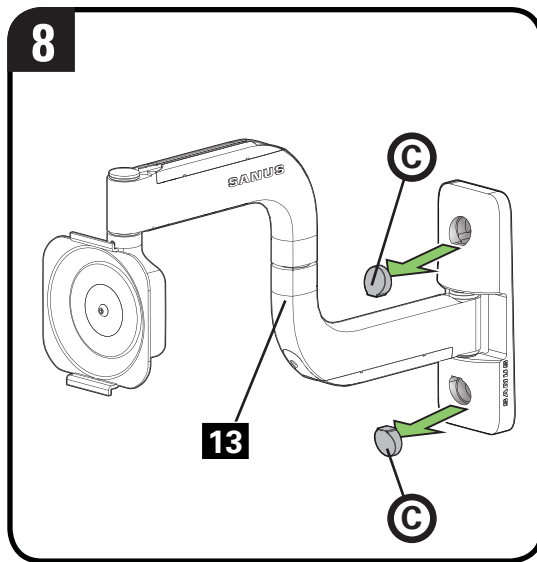
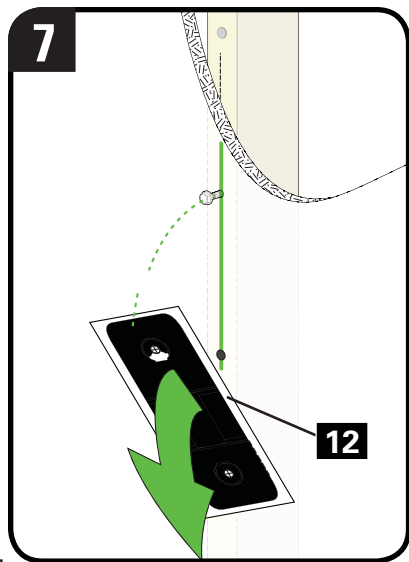
 **IMPORTANT:** Pilot holes must be drilled to a depth of 3 in. (75 mm).

6. Partially install the TOP lag bolt **15**, leaving about 1/2 in. (13 mm) space from the wall.

 **NOTE:** This space allows you to remove the wall plate template **12** and hang the arm assembly/wall plate **13** onto the top lag bolt **15**.




7. Remove the wall plate template **12**.
8. Remove the covers **C** on the arm assembly/wall plate **13**.
9. Hang the arm assembly/wall plate **13** on the top lag bolt **15**.



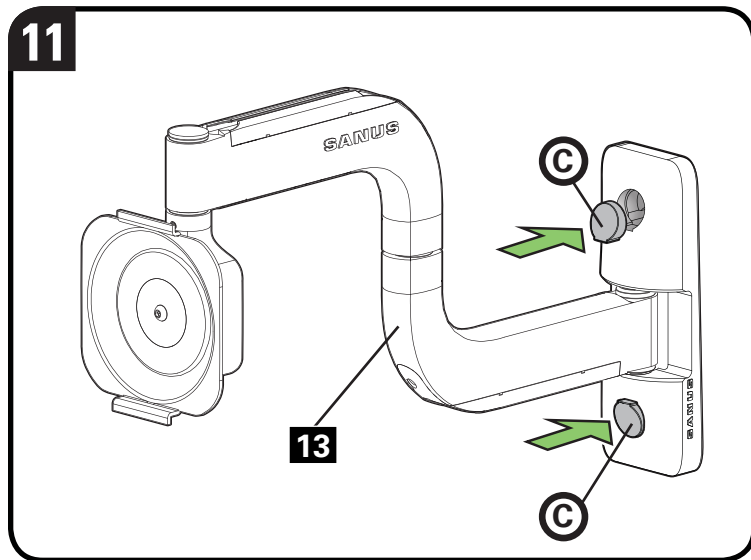
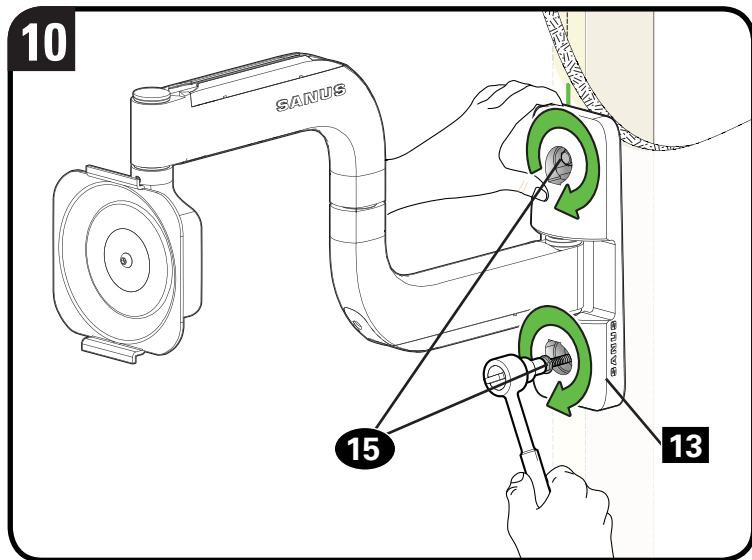
10. Install the bottom lag bolt **15**. Firmly tighten both lag bolts **15** until they are pulled flush against the arm assembly/wall plate **13**.

 **NOTE:** Hold the arm assembly/wall plate **13** in place when tightening the first lag bolt **15** to keep the plate from shifting out of place.

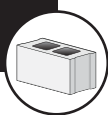
 **CAUTION:** Avoid potential personal injury or property damage! Both lag bolts **15** MUST BE firmly tightened to prevent unwanted movement of the wall plate **13**. Ensure the wall plate is securely fastened to the wall before continuing on to the next step.

11. Install the covers **C** on arm assembly/wall plate **13**.

Go to STEP 3 on PAGE 17.



STEP 2B




Solid Concrete or Concrete Block Option

⚠ CAUTION: Avoid potential personal injuries and property damage!

- Mount the arm assembly/wall plate **13** directly onto the concrete surface
- Minimum solid concrete thickness: 8 in. (203 mm)
- Minimum concrete block size: 8 x 8 x 16 in. (203 x 203 x 406 mm)

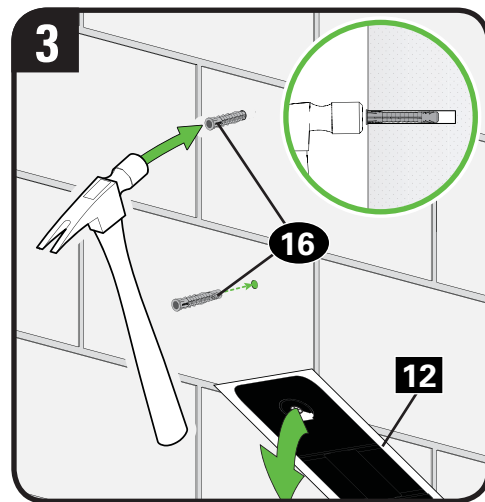
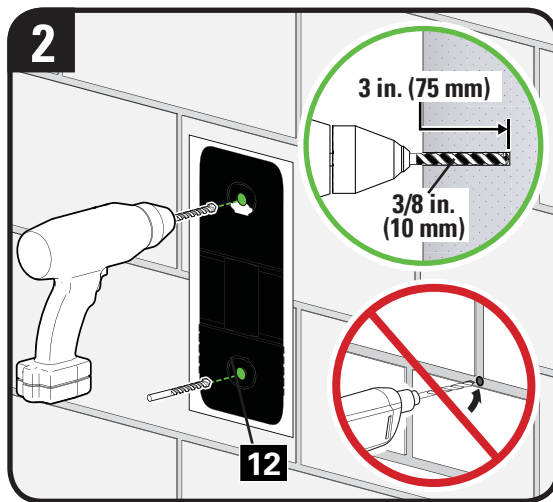
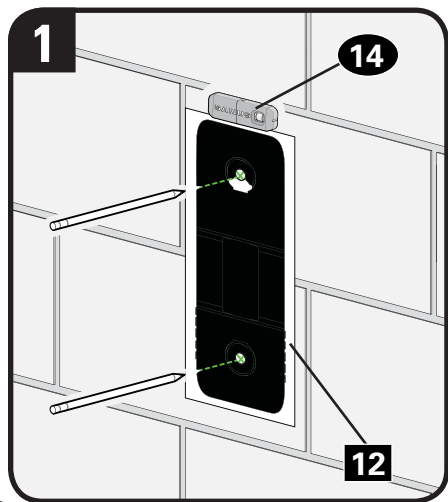
1. Position the wall plate template **12** on the wall at your desired height. Level the wall plate template and mark the hole locations.

 **NOTE:** For assistance in determining wall plate location, see Height Finder at sanus.com.

2. Drill two pilot holes using a 3/8 in. (10 mm) diameter drill bit.

! IMPORTANT: Pilot holes must be drilled to a depth of 3 in. (75 mm). Never drill into the mortar between blocks.

3. Remove the wall plate template **12** and insert two anchors **16**.



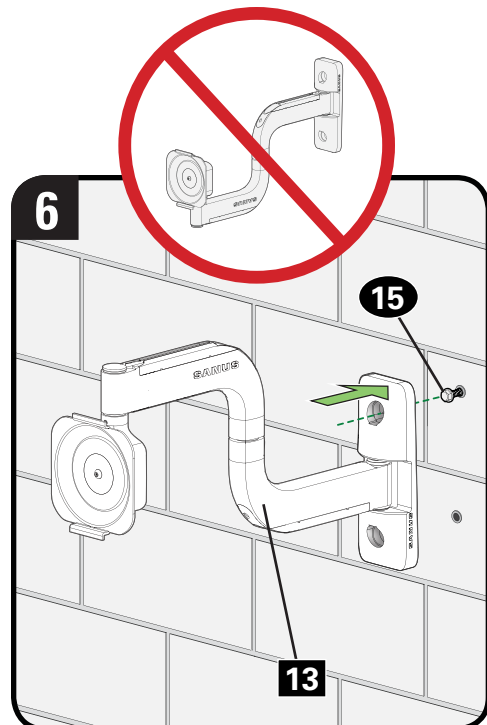
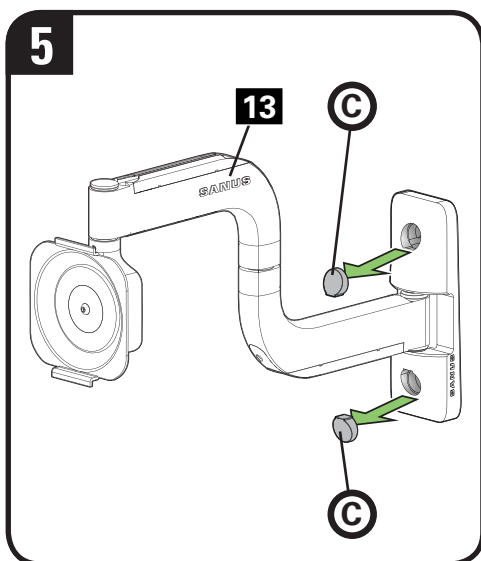
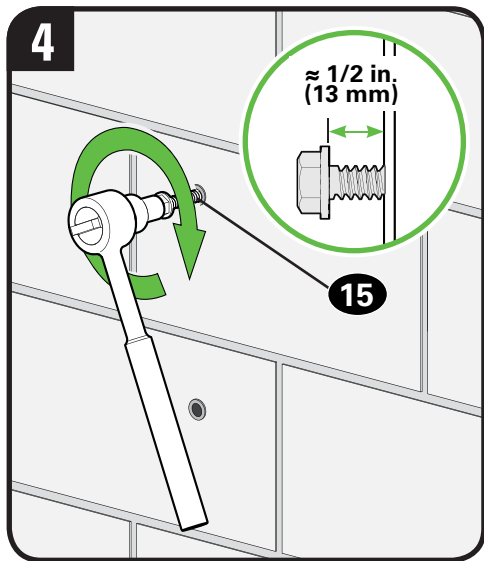
⚠ CAUTION: Be sure the anchors **16** are seated flush with the concrete surface.

4. Partially install the top lag bolt **15**, leaving about 1/2 in. (13 mm) space from the wall.

📄 NOTE: This space allows you to hang the arm assembly/wall plate **13** onto the top lag bolt **15**.


5. Remove the covers **C** on the arm assembly/wall plate **13**.

6. Hang the arm assembly/wall plate **13** on the top lag bolt **15**.

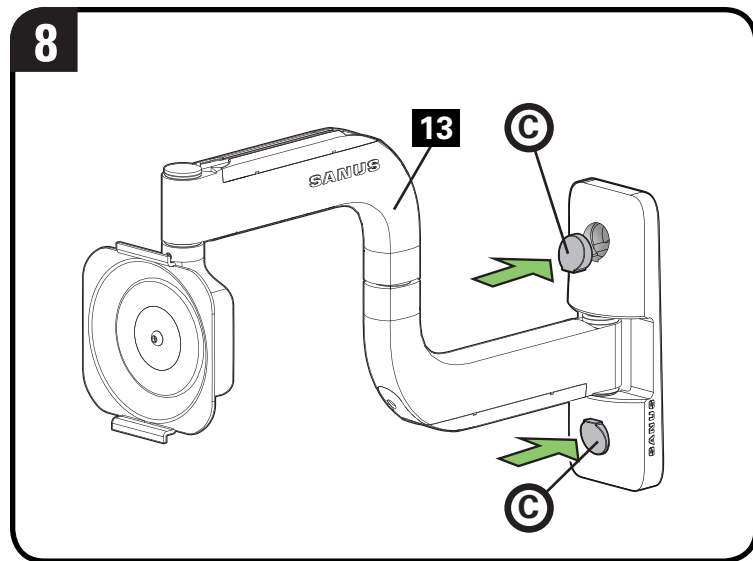
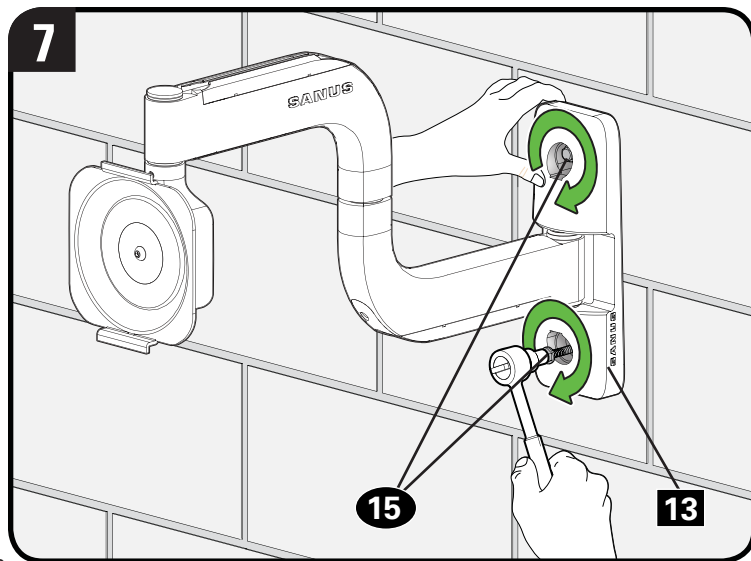


7. Install the bottom lag bolt **15**. Firmly tighten both lag bolts **15** until they are pulled flush against the arm assembly/wall plate **13**.

 **NOTE:** Hold the arm assembly/wall plate **13** in place when tightening the first lag bolt **15** to keep the plate from shifting out of place.

 **CAUTION:** Avoid potential personal injury or property damage! Both lag bolts **15** **MUST BE** firmly tightened to prevent unwanted movement of the wall plate **13**. Ensure the wall plate is securely fastened to the wall before continuing on to the next step.

8. Install the covers **C** on arm assembly/wall plate **13**.

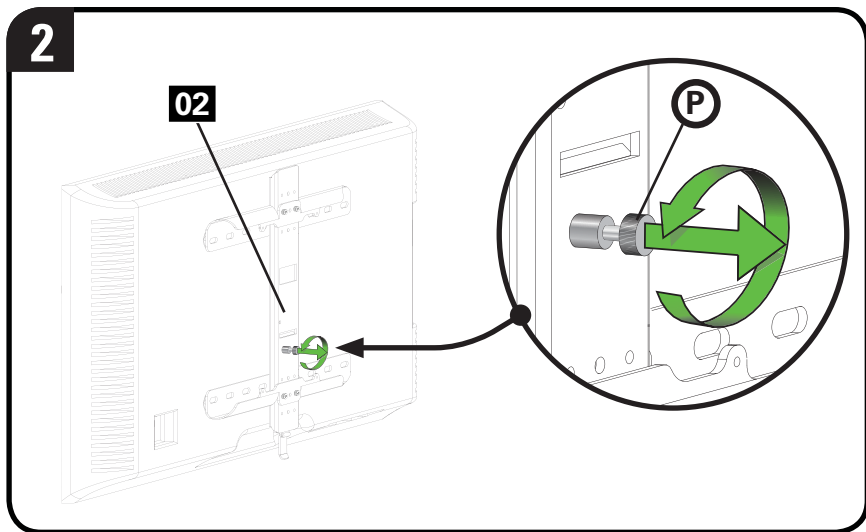
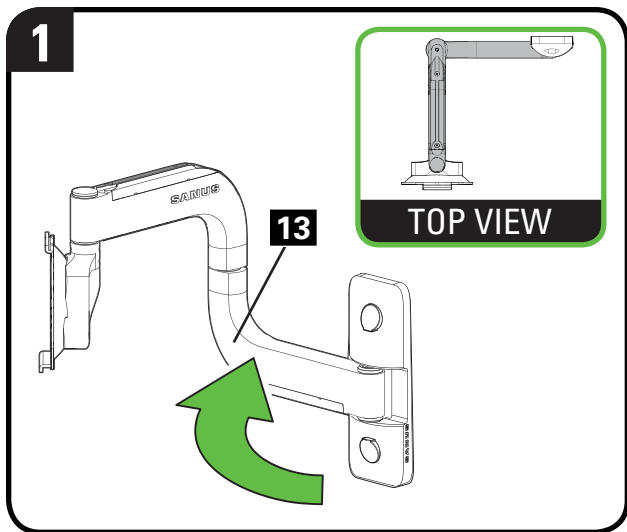


STEP 3 Hang TV onto Arm Assembly/Wall Plate

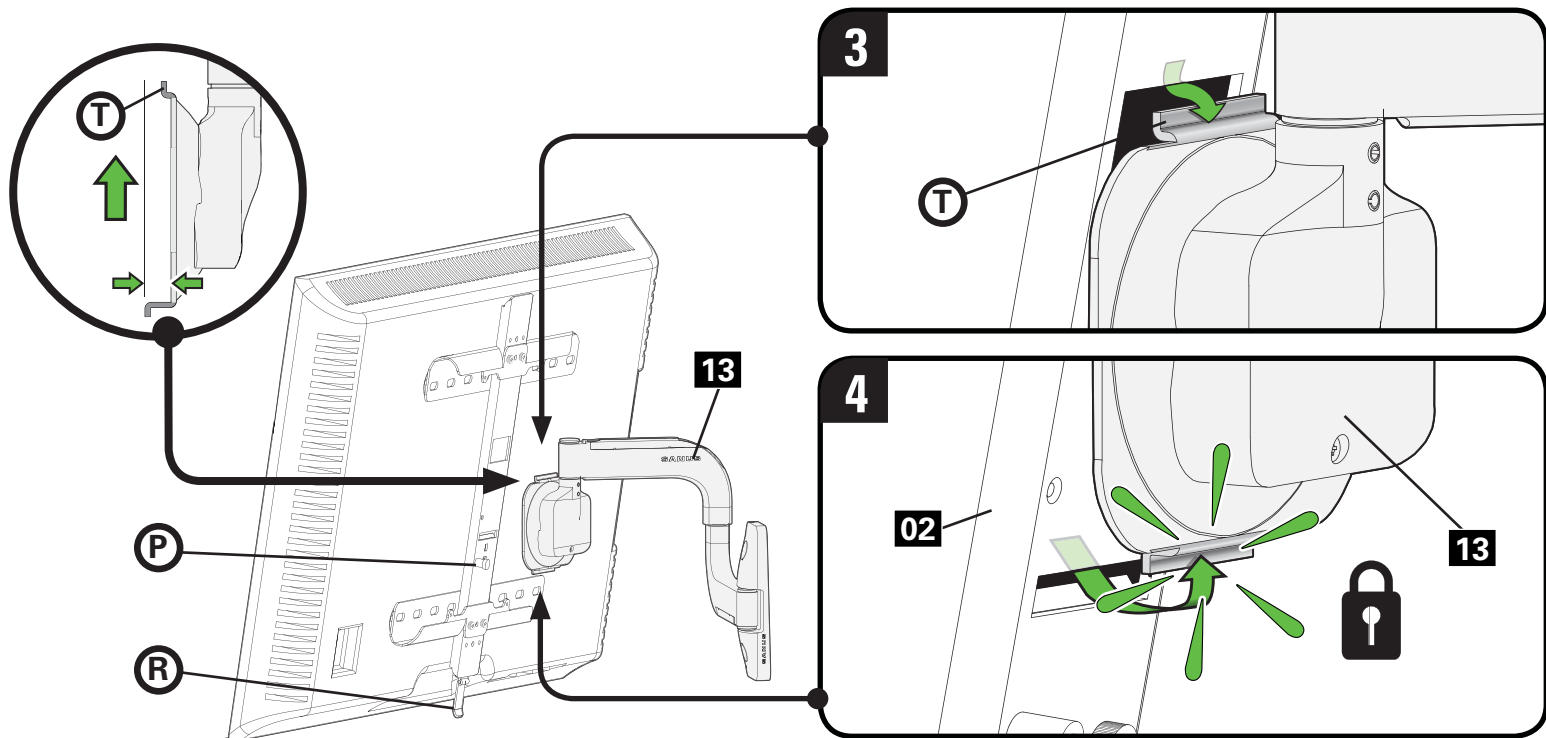


HEAVY! You may need assistance with this step.

1. Position the arm assembly/wall plate **13** so the elbow is pressed against the wall.
2. Pull out the release pin **(P)** on vertical TV bracket **02** and turn counterclockwise until the pin locks in place.

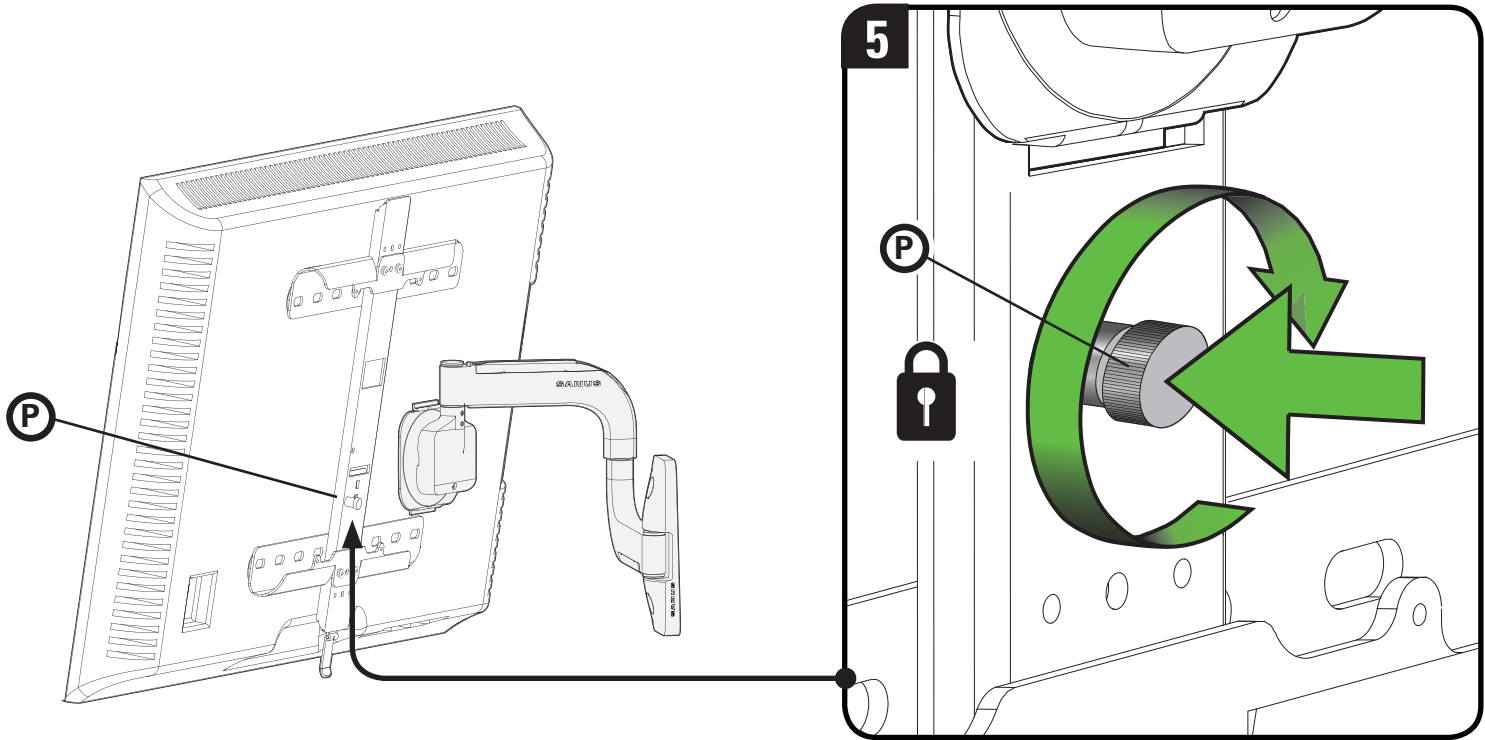


3. Hang the TV onto the arm assembly/wall plate **13** by hooking onto the top support **T**.
4. Press the bottom of the TV into the arm assembly/wall plate **13** until the safety catch locks the TV in place.



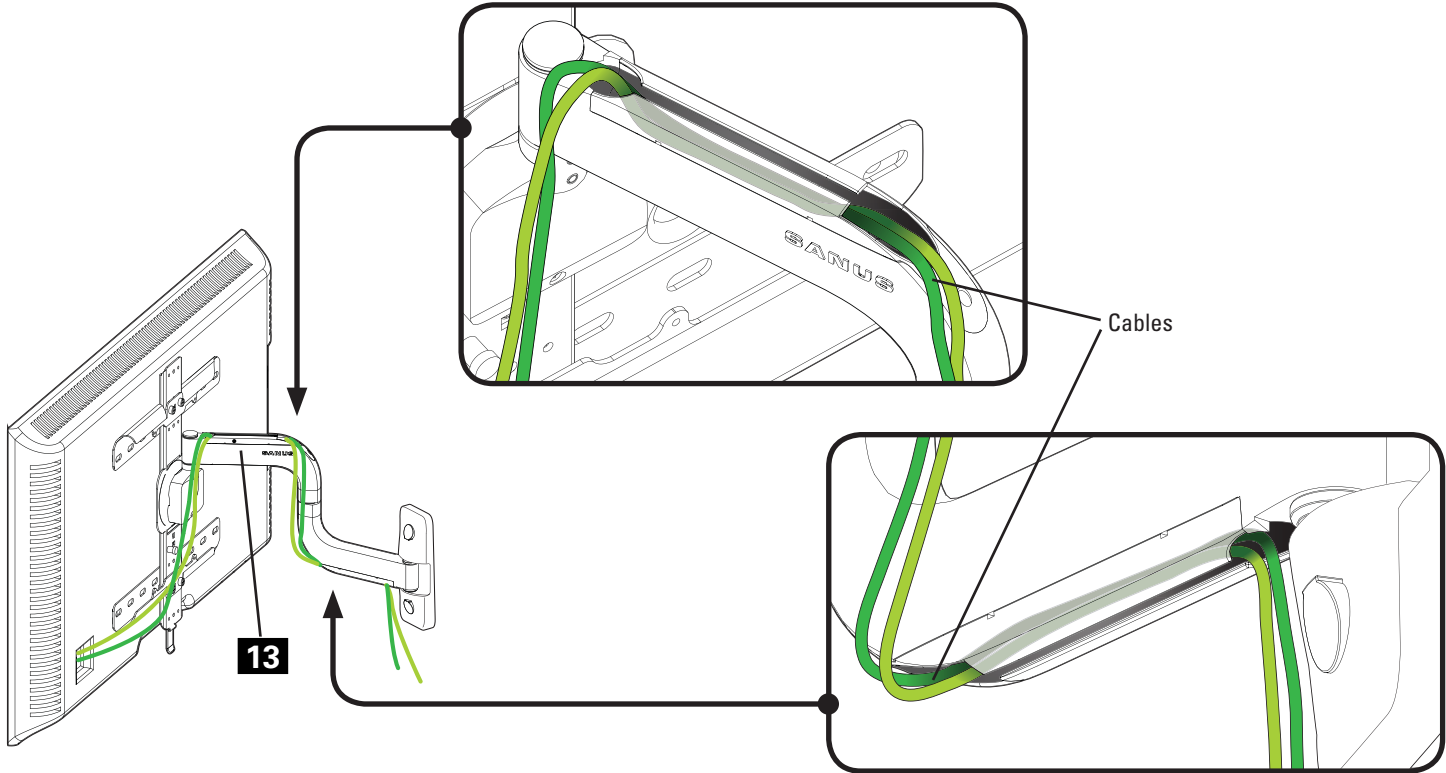
5. Turn the release pin **(P)** clockwise until the pin springs back into place and locks the release cord **(R)**.

⚠ CAUTION: Avoid potential personal injury or property damage! Always make sure the release pin **(P)** is fully seated and the release cord **(R)** is locked, so the TV is securely fastened to the arm assembly/wall plate **13**.

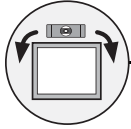


Manage Cables

Route your TV cables along the arm assembly/wall plate **13** and press into the channels in the arm as shown.




Adjustments

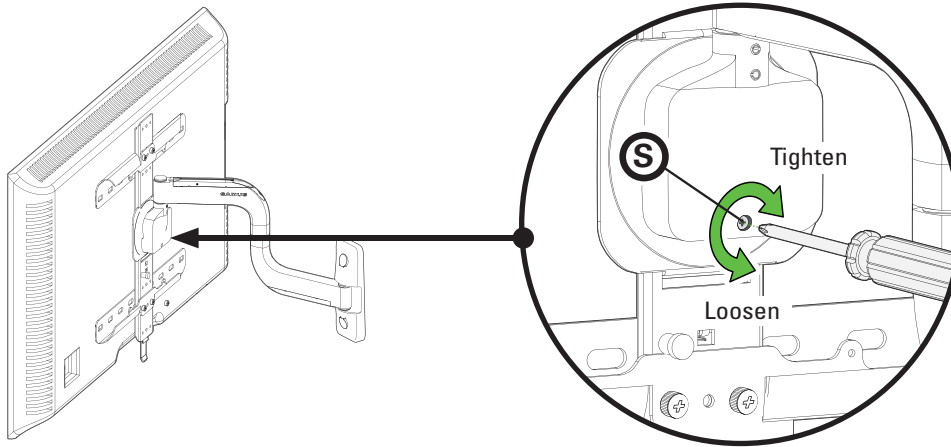


LEVEL

Your TV should adjust easily when moved, then stay in place.

Adjust the tension screw **(S)** if your TV is too loose or too tight.

 **NOTE:** Once your TV is in place, you can tighten the tension screw **(S)** to prevent unwanted movement.




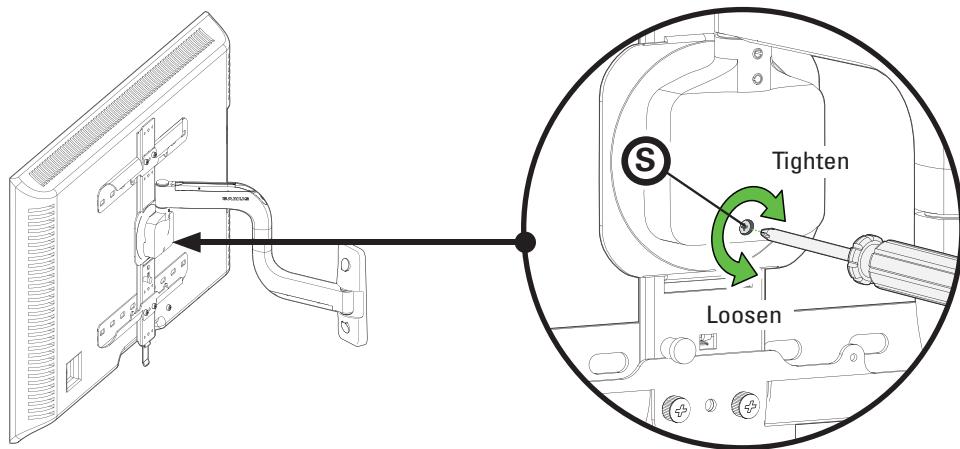


TILT

Your TV should adjust easily when moved, then stay in place.

Adjust the tension screw **(S)** if your TV naturally tilts up or down.

 **NOTE:** If you do not intend to adjust the tilt for different viewing locations, you can , tighten the tension screw **(S)** to prevent unwanted movement.





REMOVING THE TV



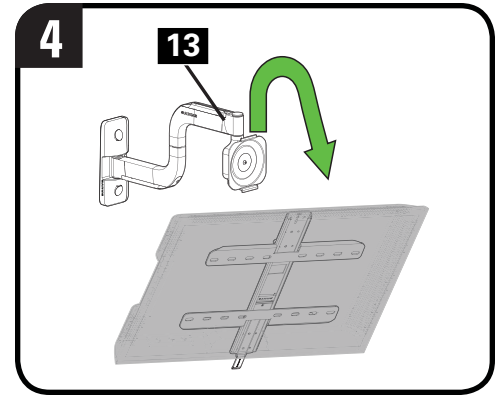
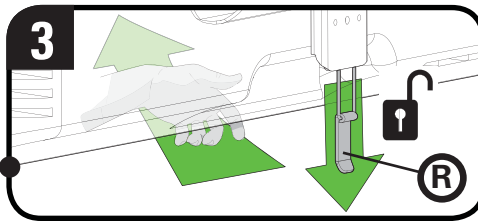
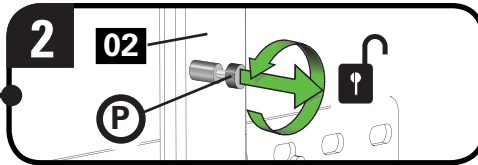
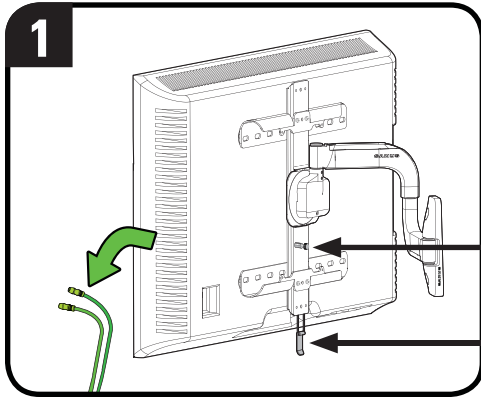
HEAVY! You may need assistance with this step.

1. Disconnect all cables from the TV.
2. Pull out the release pin **(P)** on vertical TV bracket **02** and turn counterclockwise until the pin locks in place.
3. Pull and hold the release cord **(R)** while pulling the bottom of the TV outward.

⚠ CAUTION: Avoid potential personal injury or property damage! To prevent breaking the locking latch: always pull and hold the release cord **(R)** down while pulling the TV away from arm assembly/wall plate **13**.

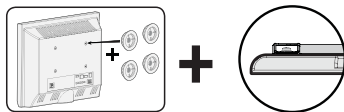
4. Lift the TV off the arm assembly/wall plate **13** to remove.

📄 NOTE: To hang the TV back on the arm assembly/wall plate **13**, follow Step 3 on PAGE 19




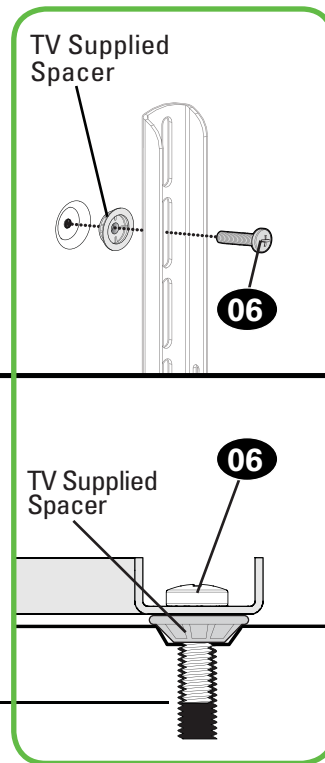
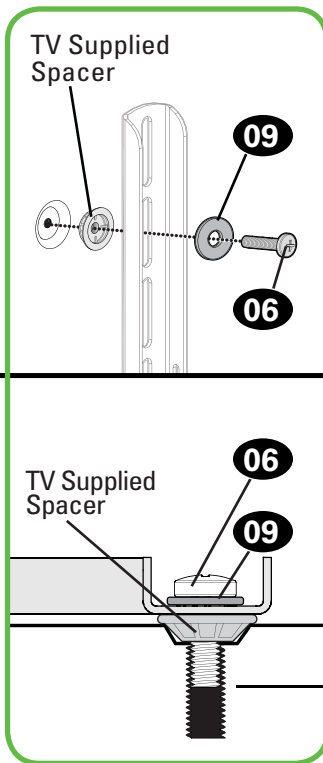
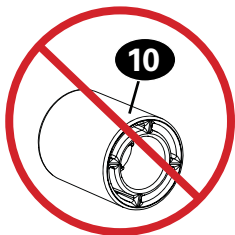
Troubleshooting

For TVs that come with inset spacers or wall mount adapter rings, and your installation requires **Flat Back / Low Profile**



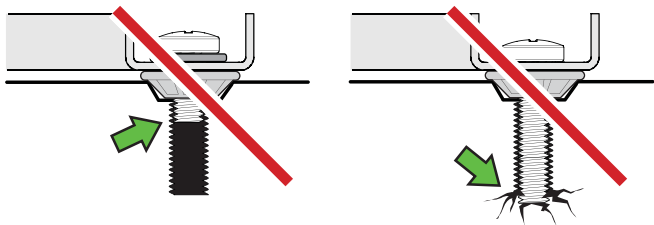
Use your TV supplied spacers and do not use the Sanus spacers **10**.

 **NOTE:** If using the M8x35 mm screws **06**, you may or may not need the washers **09**, depending on length of screw engagement.

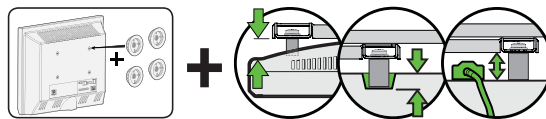


⚠ CAUTION: Verify adequate thread engagement with the screw or screw/spacer combination.

- Too short will not hold the TV.
- Too long will damage the TV.

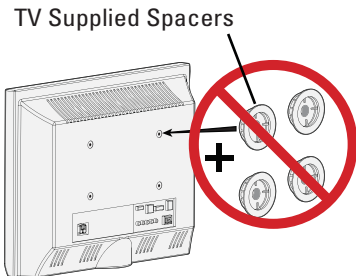


For TVs that come with inset spacers or wall mount adapter rings, and your installation requires **Rounded Back / Extra Space**

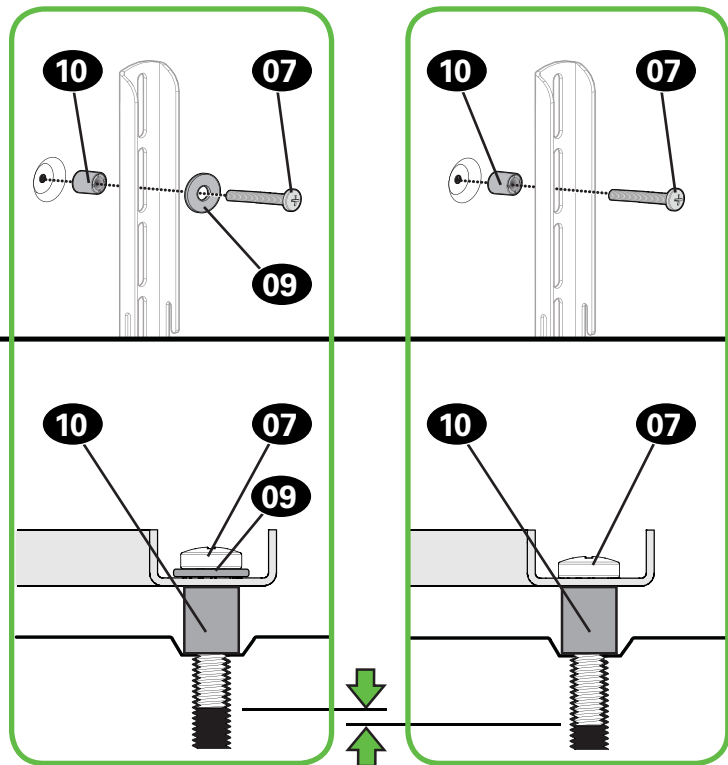


Use the Sanus spacers **10** and longer screws. Do not use your TV supplied spacers.

NOTE: If using the M8x45 mm screws **07**, you may or may not need the washers **09**, depending on length of screw engagement.

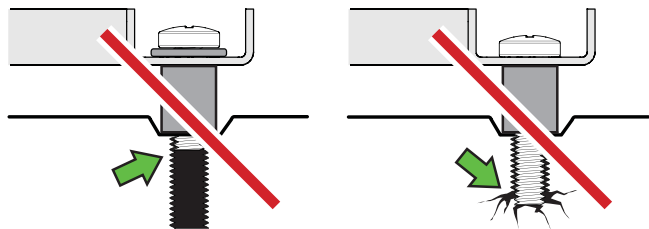


TV Supplied Spacers

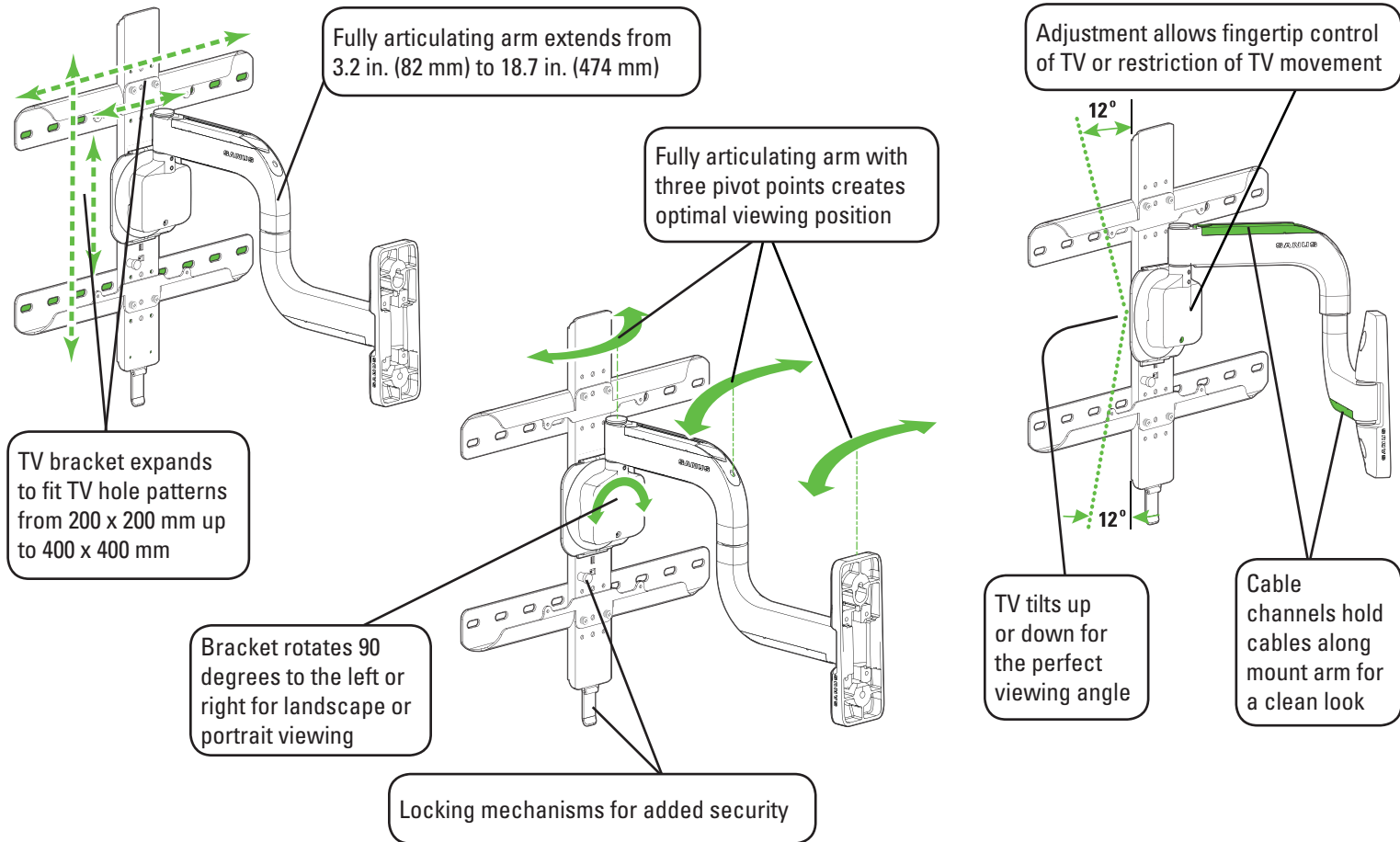


CAUTION: Verify adequate thread engagement with the screw or screw/spacer combination.

- Too short will not hold the TV.
- Too long will damage the TV.

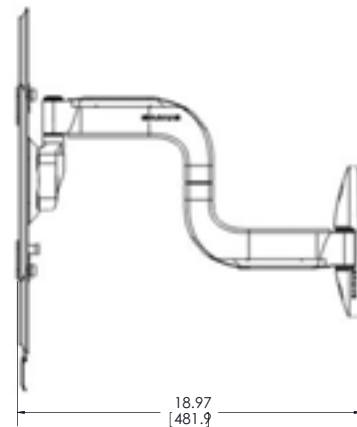
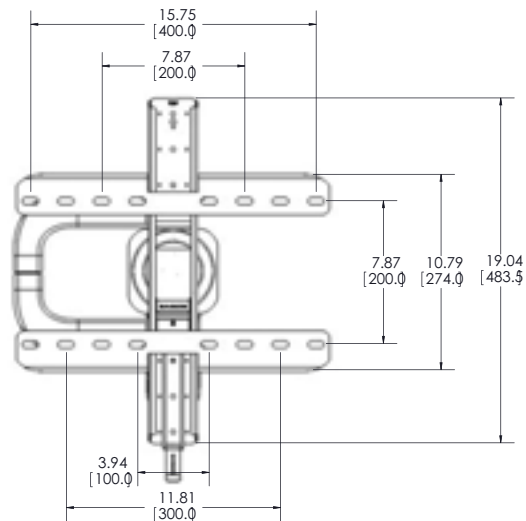
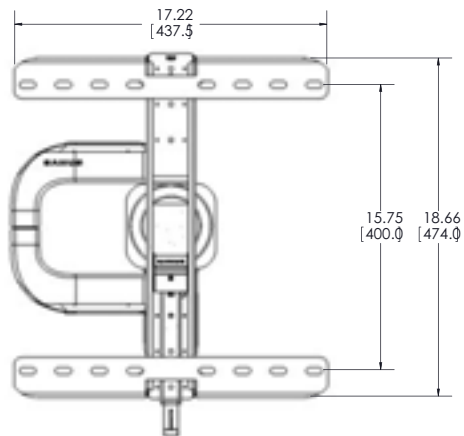
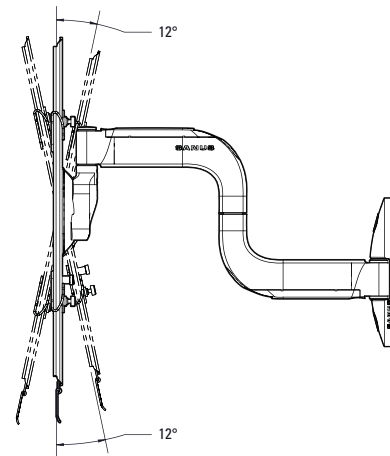


Features



Dimensions

in.
[mm]



Antes de comenzar, verifiquemos que este soporte sea el ideal para sus necesidades.

1 ¿Su televisor pesa más de 34 kg (75 lb), incluidos los accesorios?

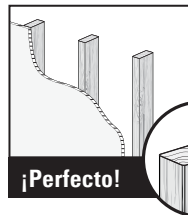


No — ¡Perfecto!

Sí — Este soporte NO es compatible. Visite MountFinder.Sanus.com o llame al 1-800-359-5520 (Reino Unido: 0800-056-2853) para encontrar un soporte compatible.

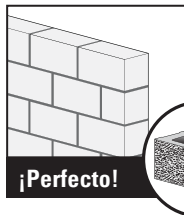
2 ¿De qué está hecha su pared?

⚠ PRECAUCIÓN:
NO lo instale en tabiques únicamente de yeso



¡Perfecto!

¿Tabiques de yeso con montantes de madera?



¡Perfecto!

¿Hormigón sólido o bloques de cemento?



¿No está seguro?

Llame al 1-800-359-5520
(Reino Unido: 0800-056-2853)

3 ¿Tiene todas las herramientas necesarias?



Cinta métrica



Lápiz



Destornillador



Taladro eléctrico



13 mm (1/2")

Llave de tubo

Wood Stud Install



5,5 mm (7/32")
Madera
Broca

Concrete Install



10 mm (3/8")
Hormigón
Broca



Martillo

4 ¿Listo para comenzar?

Lea estas instrucciones en su totalidad para estar seguro de sentirse cómodo con este fácil proceso de instalación. Consulte también el manual del usuario de su televisor para ver si existe algún requisito especial para instalar su televisor en la pared. Si no entiende las instrucciones o si tiene dudas acerca de la seguridad de la instalación, del ensamblado o del uso del producto, póngase en contacto con el servicio de atención al cliente al 1-800-359-5520 (Reino Unido: 0800-056-2853).

⚠ PRECAUCIÓN: Evite posibles lesiones personales y daños materiales.

- Este producto incluye instrucciones y elementos de sujeción para su instalación en paredes con montantes de madera, en superficies de hormigón y sobre bloques de cemento. NO lo instale en tabiques únicamente de yeso.
- La pared debe soportar cinco veces el peso del televisor y del soporte juntos.
- No utilice este producto para ningún otro propósito que no sea el explícitamente especificado por el fabricante.
- El fabricante no se responsabiliza por ningún daño o lesión resultante del montaje incorrecto o de uso indebido.

PASO 1 Colocar las placas de sujeción en el televisor

Piezas y elementos de sujeción para el PASO 1

⚠ ADVERTENCIA: Este producto contiene piezas pequeñas que, si fuesen tragadas, podrían producir asfixia. Antes de iniciar el ensamblaje, compruebe que todas las piezas estén incluidas y en buenas condiciones. Si faltan piezas o alguna está dañada, no devuelva el artículo al distribuidor; póngase en contacto con el servicio de atención al cliente. Nunca utilice piezas deterioradas.

📄 NOTA: No todos los accesorios incluidos deberán utilizarse.

1,1 Seleccionar los tornillos del televisor

Enrosque manualmente los tornillos en los encastres roscados del dorso del televisor a fin de determinar qué diámetro de tornillos (M4, M5, M6 o M8) utilizar.

⚠ PRECAUCIÓN: Verifique que la combinación de tornillo y separador enrosque correctamente en su televisor. Si el tornillo es demasiado corto, el televisor no se sostendrá; si es demasiado largo, dañará el televisor.

1,2 Separadores


Los separadores y tornillos se proporcionan para instalar la placa de sujeción de su televisor.

Determine cuál es su preferencia para la configuración de los separadores al fijar la placa de sujeción de su televisor.

Instale los separadores **10** encima de la placa de sujeción de su televisor, de modo que la placa de sujeción quede cerca de la superficie del televisor para los paneles planos posteriores.

Instale los separadores **10** debajo de la placa de sujeción del televisor para crear más espacio para los televisores con forma irregular en la parte posterior o cables extensos.

1.3 Fije las placas de sujeción

1. Deslice las placas de sujeción horizontales **01** sobre los extremos de la placa de sujeción vertical del televisor **02**.
 **NOTA:** Las placas de sujeción horizontal y vertical del televisor deben estar orientadas en las posiciones que se muestran en la figura.
2. Posicione el módulo de la placa de sujeción sobre el patrón de orificios del televisor, céntrelo horizontalmente y coloque sin ajustar la combinación de separador, tornillo y arandela que seleccionó para su televisor.
▲ PRECAUCIÓN: Evite posibles lesiones físicas y daños materiales. El módulo televisor DEBE SER instalado con la cuerda de liberación **(R)** orientada hacia la parte inferior del televisor como se muestra.
3. Centre verticalmente la placa de sujeción del televisor **02**.
4. Alinee visualmente el orificio del localizador **(L)** en la placa de sujeción horizontal inferior **01** con un orificio de la placa de sujeción vertical del televisor **02**, e instale usando cuatro tornillos **11**.
5. Ajuste los cuatro tornillos (PÁGINA 8) en las placas de sujeción horizontal del televisor **01**.

Se ilustran las configuraciones estándar. Si desea información sobre aplicaciones especiales o si tiene dudas sobre la elección de los elementos de fijación, contáctese con el servicio de atención al cliente. 1-800-359-5520 (Reino Unido: 0800-056-2853)

PASO 2 Fijar el módulo del brazo o la placa mural a la pared

Ver página 11

Piezas y elementos de sujeción para el PASO 2

- ▲ ADVERTENCIA:** Este producto contiene piezas pequeñas que, si fuesen tragadas, podrían producir asfixia. Antes de iniciar el ensamblaje, compruebe que todas las piezas estén incluidas y en buenas condiciones. Si faltan piezas o alguna está dañada, no devuelva el artículo al distribuidor; póngase en contacto con el servicio de atención al cliente. Nunca utilice piezas deterioradas.
- * **▲ ADVERTENCIA:** Este producto contiene un imán. Si utiliza un dispositivo médico implantado como un marcapasos o un desfibrilador automático implantable (DAI), los campos magnéticos pueden afectar el funcionamiento de esos dispositivos y causar heridas de gravedad o la muerte. Si tiene un dispositivo médico implantado, mantenga una distancia de al menos 13 cm (5 pulgadas) entre su dispositivo y el imán. Consulte a su médico antes de utilizar este producto.

 **NOTA:** No todos los accesorios incluidos deberán utilizarse.

SOLO para instalaciones en hormigón

▲ PRECAUCIÓN: No usar en placas de yeso o montantes de madera

16 x4



PASO 2A



Opción para montantes de madera

⚠ PRECAUCIÓN: Evite lesiones y daños materiales.

- El yeso que recubre la pared no debe exceder los 16 mm (5/8").
- Tamaño mínimo del montante de madera: común 51 mm x 102 mm (2" x 4") (nominal 38 mm x 89 mm /11/2" x 31/2").
- Se debe verificar la parte central.

1. Encuentre un clavo/tornillo en el montante con el detector magnético de bordes de montantes Sanus **14** incluido.
2. Encuentre los bordes del montante con el detector magnético de bordes de montante **14**.
3. Marque el centro del montante con un lápiz.
4. Coloque la plantilla de placa mural **12** a la altura que desee y posicione los orificios en forma de ranura sobre la línea central del montante. Nivele la plantilla de la placa mural **12** y fíjela con cinta adhesiva en el lugar.

📄 NOTA: Si necesita ayuda para determinar la ubicación de la placa mural, utilice la herramienta HeightFinder disponible en sanus.com.

! IMPORTANTE: Asegúrese de marcar y perforar el centro del montante.

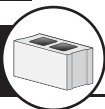
5. Haga los dos orificios guía con una mecha de 5,5 mm (7/32") de diámetro.
6. Coloque parcialmente perno tirafondo superior **15**, dejando aproximadamente 13 mm (1/2") de espacio desde la pared.
7. Retire la plantilla de la placa mural **12**.
8. Retire las cubiertas **C** del brazo/de la placa mural **13**.
9. Cuelgue la placa mural **13** sobre el perno superior **15**.
10. Coloque el perno tirafondo inferior **15**, y apriete firmemente los dos pernos **15** hasta que se encuentren a ras de la placa mural **13**.

📄 NOTA: Sostenga el brazo/la placa mural **13** en su lugar mientras ajusta el primer perno **15** para evitar que se mueva fuera de su sitio.

⚠ PRECAUCIÓN: Evitar posibles lesiones personales o daños a la propiedad! Ambos pernos **15** de fijación deben estar firmemente apretados para evitar movimientos no deseados de la placa mural **13**. Asegúrese de que la placa de pared esté bien sujeto a la pared antes de continuar con el siguiente paso.

11. Coloque las cubiertas **C** en el brazo/la placa mural **13**.

Continúe con el PASO 3 en la PÁGINA 19.



PASO 2B

Opción para hormigón sólido o bloques de cemento

Ver página 16

⚠ PRECAUCIÓN: Evite lesiones y daños materiales.

- Instale el brazo/la placa mural **13** directamente sobre la superficie de hormigón.
- Espesor mínimo del hormigón: 203 mm (8")
- Tamaño mínimo del bloque de cemento: 203 x 203 x 406 mm (8" x 8" x 16")

1. Coloque la plantilla de la placa mural **12** en la pared a la altura que desee. Nivele la plantilla de la placa mural y marque la ubicación de los orificios.

NOTA: Si necesita ayuda para determinar la ubicación de la placa mural, utilice la herramienta HeightFinder disponible en sanus.com.

2. Haga los dos orificios guía con una mecha de 10 mm (3/8") de diámetro.

⚠ IMPORTANTE: Los orificios guía deben realizarse hasta una profundidad de 75 mm (3"). Nunca perfora el cemento que une los bloques.

3. Retire la plantilla de la placa mural **12** e inserte dos anclajes **16**.

⚠ PRECAUCIÓN: Cerciórese de que los anclajes **16** queden nivelados respecto de la superficie de hormigón.

4. Coloque parcialmente perno tirafondo superior **15**, dejando aproximadamente 13 mm (1/2") de espacio desde la pared.

NOTA: Este espacio le permite colgar el brazo/la placa mural **13** en el perno superior **15**.

5. Retire las cubiertas **C** del brazo/de la placa mural **13**.

6. Cuelgue el brazo/la placa mural **13** sobre el perno superior **15**.

7. Coloque el perno tirafondo inferior **15**, y apriete firmemente los dos pernos **15** hasta que se encuentren a ras de la placa mural **13**.

NOTA: Sostenga el brazo/la placa mural **13** en su lugar mientras ajusta el primer perno **15** para evitar que se mueva fuera de su sitio.

⚠ PRECAUCIÓN: Evitar posibles lesiones personales o daños a la propiedad! Ambos pernos **15** de fijación deben estar firmemente apretados para evitar movimientos no deseados de la placa mural **13**. Asegúrese de que la placa de pared esté bien sujeto a la pared antes de continuar con el siguiente paso.

8. Coloque las cubiertas **C** en el brazo/la placa mural **13**.

PASO 3 Cuelgue el televisor en el brazo/la placa mural

Ver página 19



¡ELEMENTO PESADO! Es posible que necesite ayuda en este paso.

1. Coloque el brazo/la placa mural **13** de modo que el codo quede presionado contra el muro.
2. Tire del pasador de la placa **(P)** en de sujeción vertical del televisor **02** y gírelo hacia la izquierda hasta que el pasador quede fijo en su lugar.
3. Cuelgue el televisor en el brazo/la placa mural **13**; para ello, cuelgue el soporte superior **(T)**.
4. Presione la parte inferior del televisor en el brazo/la placa mural **13** hasta que las presillas de seguridad fijen el televisor en su lugar.
5. Gire el pasador **(P)** hacia la derecha hasta que quede nuevamente en su lugar y bloquee el cordón de desenganche.
▲ PRECAUCIÓN: Evite el riesgo de lesiones y daños materiales. Siempre asegúrese de que el pasador **(P)** esté completamente insertado y que la correa de desenganche esté bloqueada, de modo que el televisor quede bien sujeto al brazo/a la placa mural **13**.

Organizar los cables

Ver página 22

Pase los cables del televisor a lo largo del módulo del brazo/la placa mural **13** y presiónelos sobre los canales del brazo como se muestra.

Ajustes

Ver página 23

NIVEL

El televisor debe acomodarse fácilmente al moverlo y luego quedar en su lugar.


Ajuste el tornillo de tensión **(S)** si su televisor está demasiado suelto o demasiado ajustado.

NOTA: Una vez que el televisor esté en su lugar, ajuste el tornillo de tensión **(S)** para evitar movimientos indeseados.

INCLINACIÓN

El televisor debe acomodarse fácilmente al moverlo y luego quedar en su lugar.

Si su televisor se inclina naturalmente hacia arriba o hacia abajo, ajuste el tornillo de tensión **(S)**.

 **NOTA:** Si no tiene la intención de ajustar la inclinación para los diferentes puntos de visualización, puede ajustar el tornillo de tensión **(S)** para evitar movimientos indeseados.

EXTRACCIÓN DEL TELEVISOR




¡ELEMENTO PESADO! Es posible que necesite ayuda en este paso.

1. Desconecte todos los cables del televisor.
2. Tire del pasador **(P)** de la placa de sujeción vertical del televisor **02** y gírelo hacia la izquierda hasta que el pasador quede fijo en su lugar.
3. Tire la correa de desenganche **(R)** y manténgala en esa posición mientras mueve la parte inferior del televisor hacia afuera.

▲ PRECAUCIÓN: Evite el riesgo de lesiones y daños materiales. Para que el pasador de seguridad no se rompa, siempre jale y sostenga del cordón de desenganche **(R)** mientras retira el televisor del brazo/la placa mural **13**.

4. Levante el televisor fuera del brazo/la placa mural **13** para retirarlo.

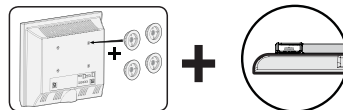
 **NOTA:** Para colgar el televisor nuevamente en el brazo/la placa mural **13**, siga el Paso 3 en la PÁGINA 19.



Solución de problemas

Ver página 26

Para televisores que incluyen separadores insertados o aros adaptadores para soportes murales, su instalación requiere **dorso plano / perfil bajo**



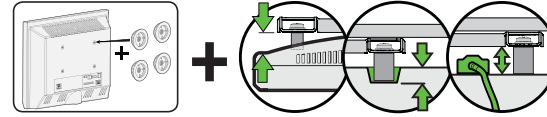
Use los separadores proporcionados con el televisor y no use los separadores Sanus **10**.

 **NOTA:** Si está usando tornillos M8 de 35 mm **06**, es posible que necesite (o no) las arandelas **09**, según la longitud de sujeción del tornillo.

▲ PRECAUCIÓN: Verifique el enrosque adecuado del tornillo o del conjunto tornillo/separador.

Si es demasiado corto, no sostendrá el televisor. Si es demasiado largo, dañará el televisor.

Para televisores que incluyen separadores insertados o aros adaptadores para soportes murales, su instalación requiere **dorso redondeado / espacio adicional**



Use los separadores Sanus **10** y los tornillos más largos. No use los separadores proporcionados con el televisor.

NOTA: Si está usando tornillos M8 de 45 mm **07**, es posible que necesite (o no) las arandelas **09**, según la longitud de sujeción del tornillo.

PRECAUCIÓN: Verifique el enrosque adecuado del tornillo o del conjunto tornillo/separador.

Si es demasiado corto, no sostendrá el televisor. Si es demasiado largo, dañará el televisor.

Descripción

Ver página 28

La placa de sujeción se expande para adecuarse a televisores con patrones de orificios de 200 x 200 mm hasta 400 x 400 mm.

La placa de sujeción se puede girar 90 grados hacia la izquierda o hacia la derecha para visualizar vertical u horizontalmente.

Los mecanismos de bloqueo brindan una mayor seguridad.

El brazo completamente articulado se extiende de 82 mm (3,2") a 474 mm (18,7").

El brazo completamente articulado crea un movimiento de 3 puntos para alcanzar una posición de visualización óptima.

El ajuste permite controlar o restringir el movimiento del televisor con las yemas de los dedos.

El televisor se inclina hacia arriba y hacia abajo para obtener el ángulo de visualización perfecto.

Los canales para los cables sujetan los cables a lo largo del brazo para un aspecto prolijo.

Dimensiones

Ver página 29

Milestone AV Technologies and its affiliated corporations and subsidiaries (collectively, "Milestone"), intend to make this manual accurate and complete. However, Milestone makes no claim that the information contained herein covers all details, conditions, or variations. Nor does it provide for every possible contingency in connection with the installation or use of this product. The information contained in this document is subject to change without notice or obligation of any kind. Milestone makes no representation of warranty, expressed or implied, regarding the information contained herein. Milestone assumes no responsibility for accuracy, completeness or sufficiency of the information contained in this document.

Milestone AV Technologies y sus empresas asociadas y filiales (colectivamente "Milestone") tienen la intención de que este manual sea preciso y completo. Sin embargo, Milestone no garantiza que la información que contiene incluya todos los detalles condiciones y variaciones, ni que contemple toda posible contingencia en conexión con la instalación y uso de este producto. La información contenida en este documento es susceptible de ser modificada sin aviso ni obligación de ningún tipo. Milestone no hace ninguna manifestación de garantía, explícita o implícita, respecto a la información contenida en este documento. Milestone no asume ninguna responsabilidad por la exactitud, integridad o suficiencia de la información contenida en este documento.

FOLLOW **SANUS** ON YOUR FAVORITE SOCIAL NETWORKS!

[FACEBOOK.COM/SANUSSYSTEMS](https://www.facebook.com/sanusystems)



Learn ways to get the most out of your space.
Find product updates and more.

[TWITTER.COM/SANUSSYSTEMS](https://twitter.com/sanusystems)



Learn installation tips, tricks and household know-hows.

[YOUTUBE.COM/SANUSSYSTEMS](https://www.youtube.com/sanusystems)



View step-by-step product videos to ease your install experiences.
Find the latest news stories about your favorite SANUS products.

REGISTER YOUR NEW **SANUS** PRODUCT!

1

By registering, you'll be entered to win, and will receive the latest product updates, design tips, and other ways to enhance your life in your home.

2

Visit **SANUS.com/register** to complete your registration and start enjoying all of the benefits SANUS has to offer.

3

Leave a product review and let us know how your install went!



If you ever have questions about your SANUS product, give us a call at 1-800-359-5520. We're ready to help!
'Monthly prize' rules and restrictions apply. Visit SANUS.com for more info.

800-359-5520 (UK: 0800-056-2853) • info@sanus.com • sanus.com

©2015 Milestone AV Technologies. All rights reserved. SANUS is a division of Milestone.
All other brand names or marks are used for identification purposes and are trademarks of their respective owners.

SANUS • 6436 City West Parkway • Eden Prairie, MN 55344 USA

6901-002482 00