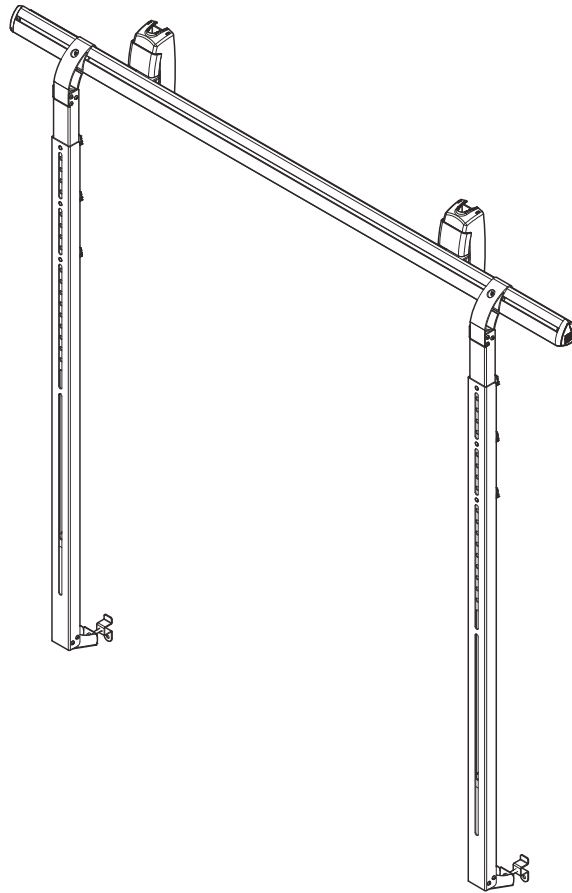

INSTALLATION INSTRUCTIONS



IDEA™ Whiteboard Mount

DA-LITE®


28406


DISCLAIMER


Milestone AV Technologies and its affiliated corporations and subsidiaries (collectively "Milestone"), intend to make this manual accurate and complete. However, Milestone makes no claim that the information contained herein covers all details, conditions or variations, nor does it provide for every possible contingency in connection with the installation or use of this product. The information contained in this document is subject to change without notice or obligation of any kind. Milestone makes no representation of warranty, expressed or implied, regarding the information contained herein. Milestone assumes no responsibility for accuracy, completeness or sufficiency of the information contained in this document.


Da-Lite® is a registered trademark of Milestone AV Technologies. All rights reserved.


 **IMPORTANT SAFETY INSTRUCTIONS**


 **WARNING:** A WARNING alerts you to the possibility of serious injury or death if you do not follow the instructions.


 **CAUTION:** A CAUTION alerts you to the possibility of damage or destruction of equipment if you do not follow the corresponding instructions.


 **WARNING:** Failure to read, thoroughly understand, and follow all instructions can result in serious personal injury, damage to equipment, or voiding of factory warranty! It is the installer's responsibility to make sure all components are properly assembled and installed using the instructions provided.

 **WARNING:** Failure to provide adequate structural strength for this component can result in serious personal injury or damage to equipment! It is the installer's responsibility to make sure the structure to which this component is attached can support five times the combined weight of all equipment. Reinforce the structure as required before installing the component. The wall to which the mount is being attached may have a maximum drywall thickness of 5/8" (15.9mm) (wood stud or concrete installations).

 **WARNING:** Exceeding the weight capacity can result in serious personal injury or damage to equipment! It is the installer's responsibility to make sure the combined weight of all components located on the IDEA Whiteboard Mount does not exceed 125 lbs (56.7 kg).

 **WARNING:** Use this mounting system only for its intended use as described in these instructions. Do not use attachments not recommended by the manufacturer.

 **WARNING:** Never operate this mounting system if it is damaged. Return the mounting system to a service center for examination and repair.

 **WARNING:** Do not use this product outdoors.

IMPORTANT ! : The IDEA Whiteboard Mount has been designed to be mounted onto either:

- a 2" x 4" (51mm x 102 mm) wood stud wall, or
- an 8" (203mm) concrete wall or 8" x 8" x 16" (203mm x 203mm x 405mm) concrete block wall.

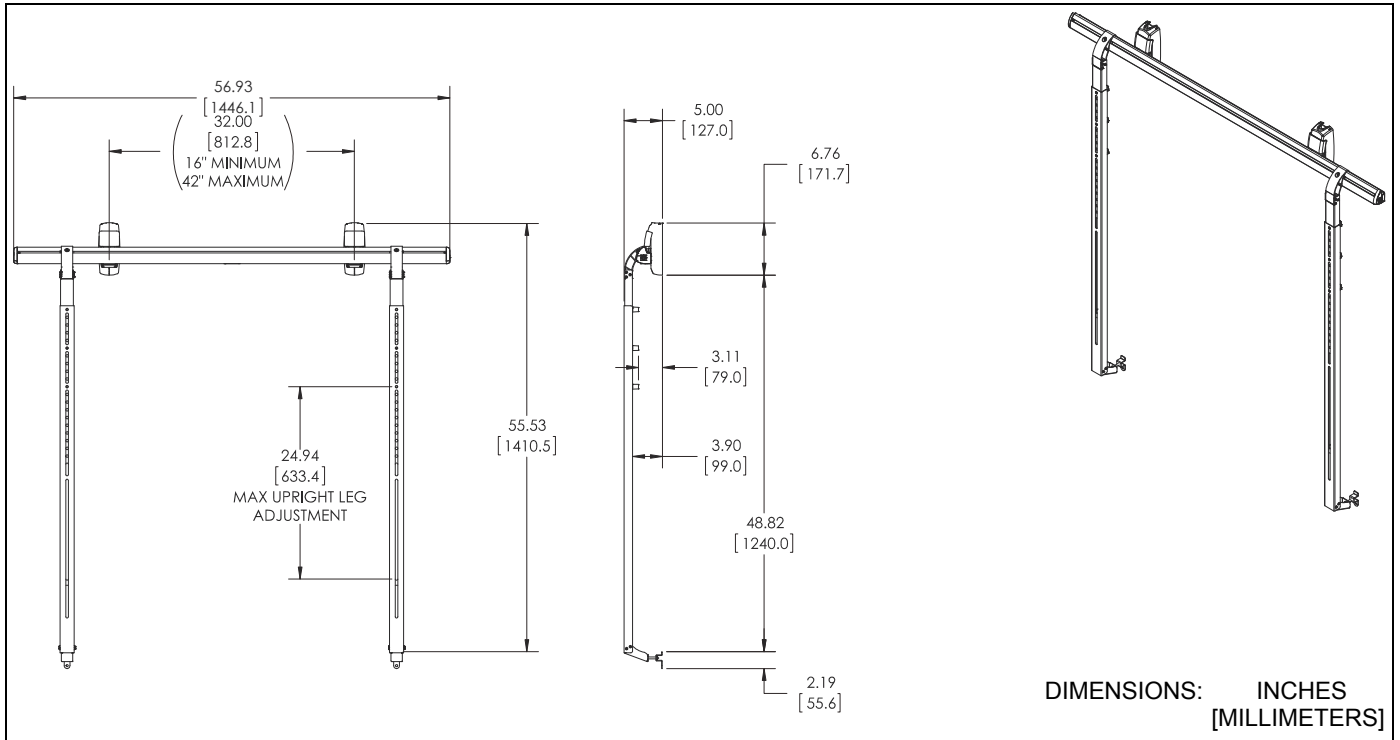
NOTE: The IDEA Whiteboard Mount may be used with the IDEA screen models noted in Table 1.

Table 1

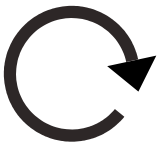

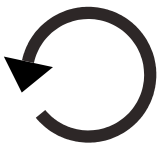




IDEA Screen Models	
25939	25939T
25940	25940T
25941	25941T
25942	25942T
25943	25943T
25944	25944T
28271	28271T
28272	28272T
28273	28273T
28274	28274T

--SAVE THESE INSTRUCTIONS--

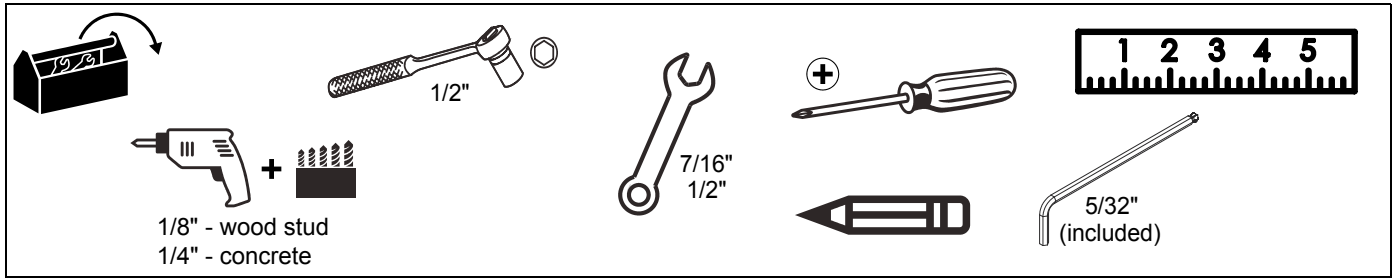
DIMENSIONS



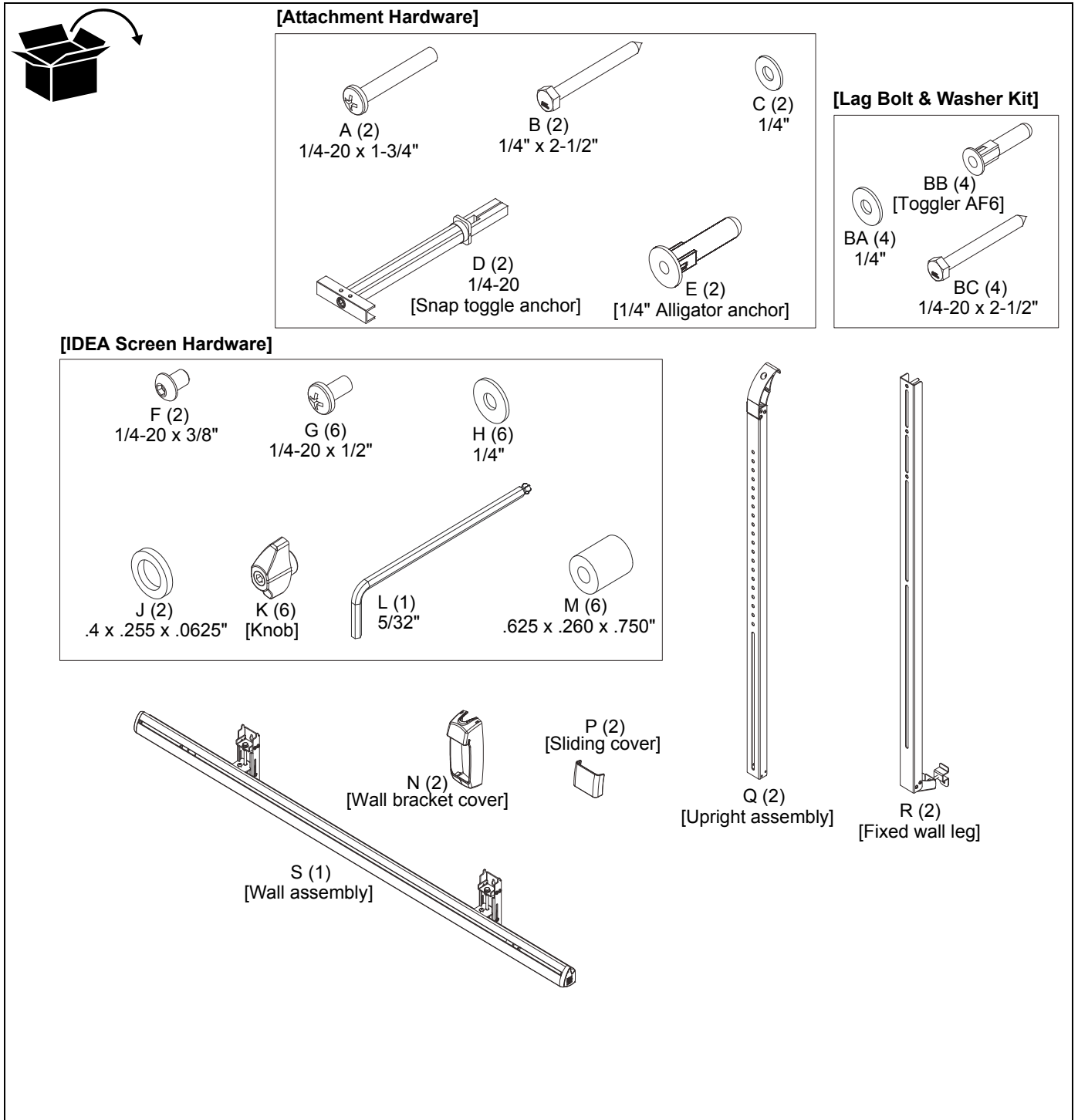
LEGEND

	<p>Tighten Fastener</p> <p>Apretar elemento de fijación</p> <p>Befestigungsteil festziehen</p> <p>Apertar fixador</p> <p>Serrare il fissaggio</p> <p>Bevestiging vastdraaien</p> <p>Serrez les fixations</p>		<p>Pencil Mark</p> <p>Marcar con lápiz</p> <p>Stiftmarkierung</p> <p>Marcar com lápis</p> <p>Segno a matita</p> <p>Potloodmerkten</p> <p>Marquage au crayon</p>
	<p>Loosen Fastener</p> <p>Aflojar elemento de fijación</p> <p>Befestigungsteil lösen</p> <p>Desapertar fixador</p> <p>Allentare il fissaggio</p> <p>Bevestiging losdraaien</p> <p>Desserrez les fixations</p>		<p>Drill Hole</p> <p>Perforar</p> <p>Bohrloch</p> <p>Fazer furo</p> <p>Praticare un foro</p> <p>Gat boren</p> <p>Percez un trou</p>
	<p>Phillips Screwdriver</p> <p>Destornillador Phillips</p> <p>Kreuzschlitzschraubendreher</p> <p>Chave de fendas Phillips</p> <p>Cacciavite a stella</p> <p>Kruiskopschroevendraaier</p> <p>Tournevis à pointe cruciforme</p>		<p>Hex-Head Wrench</p> <p>Llave de cabeza hexagonal</p> <p>Sechskantschlüssel</p> <p>Chave de cabeça sextavada</p> <p>Chiave esagonale</p> <p>Zeskantsleutel</p> <p>Clé à tête hexagonale</p>
	<p>Open-Ended Wrench</p> <p>Llave de boca</p> <p>Gabelschlüssel</p> <p>Chave de bocas</p> <p>Chiave a punte aperte</p> <p>Steeksleutel</p> <p>Clé à fourche</p>		

TOOLS REQUIRED FOR INSTALLATION



PARTS



ASSEMBLY AND INSTALLATION

The IDEA Whiteboard Mount will allow an IDEA screen to be installed over an existing chalkboard or white board. The IDEA Whiteboard Mount may be installed on top of preexisting chalk or marker trays.

Assembly

1. Attach fixed wall leg (R) to upright assembly (Q) using three .625 x .260 x .750" spacers (M) and knobs (K). (See Figure 1)

IMPORTANT ! : Insert **at least** one stud on fixed wall leg (R) into one mounting hole on each upright assembly (Q).

2. Repeat for second upright assembly.
3. Proceed to **Locate Mounting Site** section.

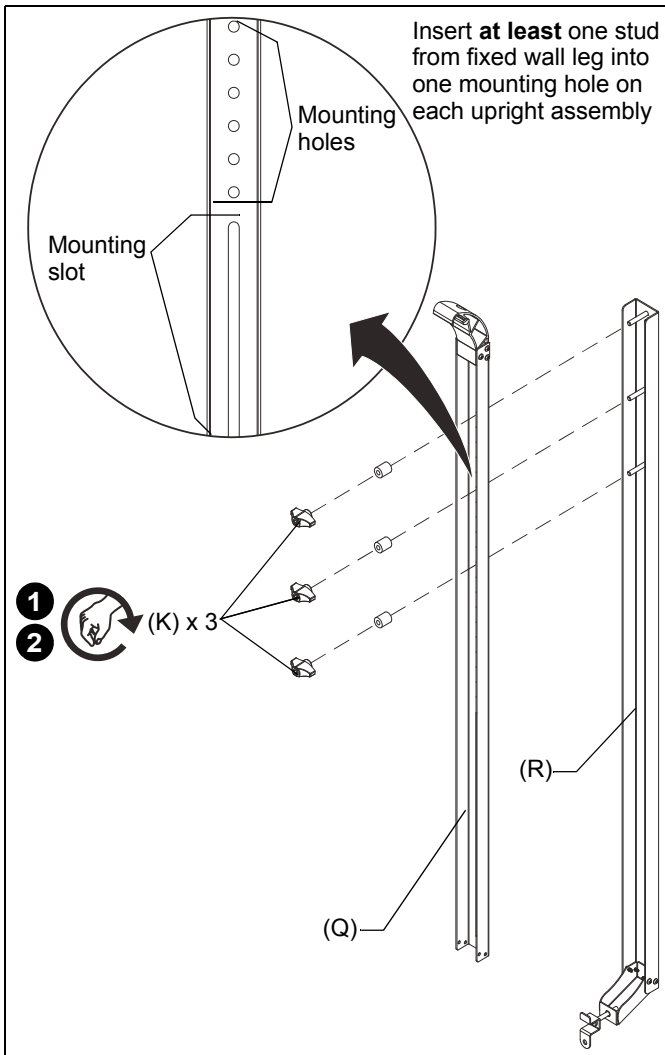


Figure 1

Locate Mounting Site

⚠ WARNING: IMPROPER INSTALLATION CAN LEAD TO MOUNT FALLING CAUSING SEVERE PERSONAL INJURY OR DAMAGE TO EQUIPMENT! It is the installers responsibility to make certain the structure to which the mount is being attached is capable of supporting five times the weight of the IDEA Whiteboard Mount and all attached equipment not to exceed 125 lbs (56.7 kg).

⚠ WARNING: ELECTRICAL SHOCK, EXPLOSION AND FIRE HAZARD! CUTTING OR DRILLING INTO ELECTRICAL CORDS, CABLES OR GAS PLUMBING CAN CAUSE DEATH OR SERIOUS PERSONAL INJURY! ALWAYS make certain area behind mounting surface is free of electrical wires, cables, gas, water, waste, or any other plumbing before drilling or installing fasteners.

Adjusting Wall Brackets for Installation

NOTE: The wall brackets on the wall assembly may be adjusted to suit installation needs, but must be spaced a **minimum** of 16" (406mm) apart.

1. Slide wall brackets along wall assembly (S). (See Figure 2)
2. Tighten button head cap screw on each wall bracket to secure wall brackets to wall assembly. (See Figure 2)

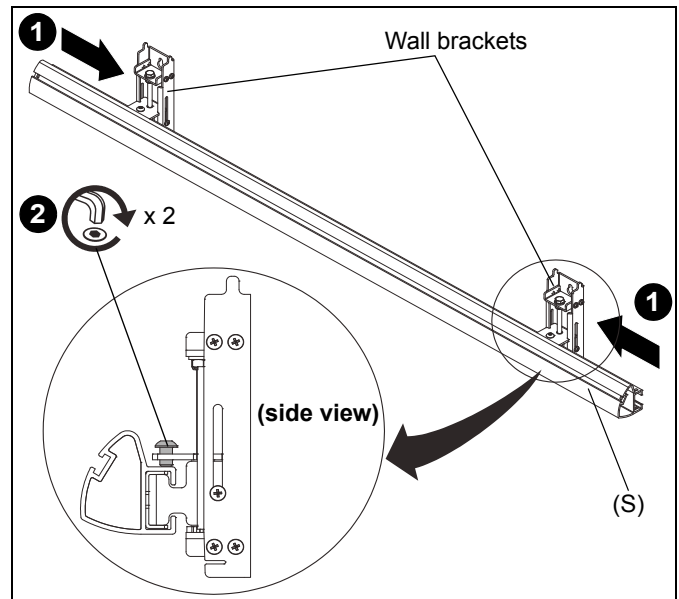


Figure 2

NOTE: Proceed to the **Installing to a Wood Stud Wall** section, or the **Installing to a Concrete or Concrete Block Wall** section, as appropriate.

Installing to a Wood Stud Wall

1. Determine the center of the chalkboard.
2. Locate the closest 2" x 4" (51mm x 102mm) wood stud to the left and right of the selected location.

NOTE: The two IDEA Whiteboard Mount wall brackets on the wall assembly (S) must be mounted a minimum of 16" (406mm) apart, or a maximum of 42" (1067mm) apart.

3. Using a level, mark the wall on each stud above existing chalkboard through top mounting hole in the wall assembly (S). (See Figure 3)
4. Drill one 1/8" pilot hole in each stud. (See Figure 3)
5. Use two 1/4-20 x 2-1/2" lag bolts (BC) and two 1/4" flat washers (BA) to attach wall assembly (S) to wall. (See Figure 3)
6. Mark the wall through the lower mounting hole in the wall assembly (S). (See Figure 3)
7. Drill one 1/8" pilot hole in each stud through lower mounting hole in wall assembly (S). (See Figure 3)
8. Use two 1/4-20 x 2-1/2" lag bolts (BC) and two 1/4" flat washers (BA) to attach wall assembly (S) to wall. (See Figure 3)

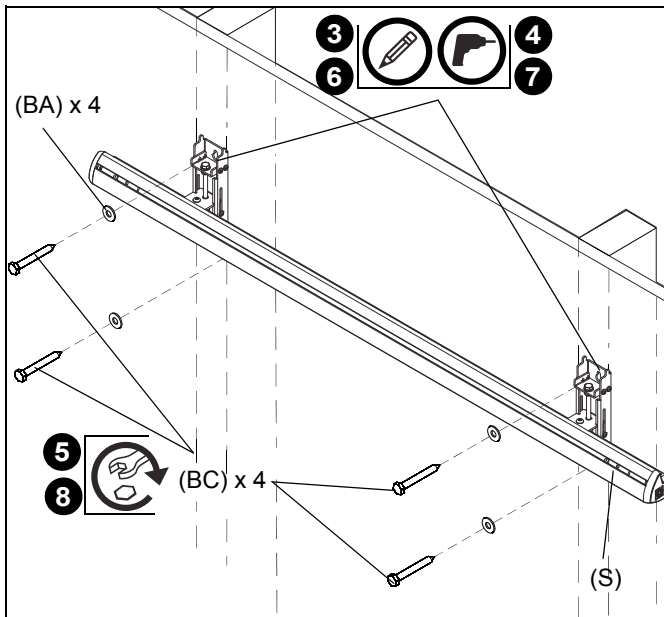


Figure 3

Installing to a Concrete or Concrete Block Wall

NOTE: The IDEA Whiteboard Mount may be attached to an 8" (203mm) concrete or 8" x 8" x 16" (203mm x 203mm x 405mm) concrete block wall.

1. Determine the center of the chalkboard.

NOTE: The two IDEA Whiteboard Mount wall brackets on the wall assembly (S) must be mounted a minimum of 16" (406mm) apart, or a maximum of 42" (1067mm) apart.

2. Using a level, mark the wall above existing chalkboard through top mounting hole in the wall assembly (S). (See Figure 4)

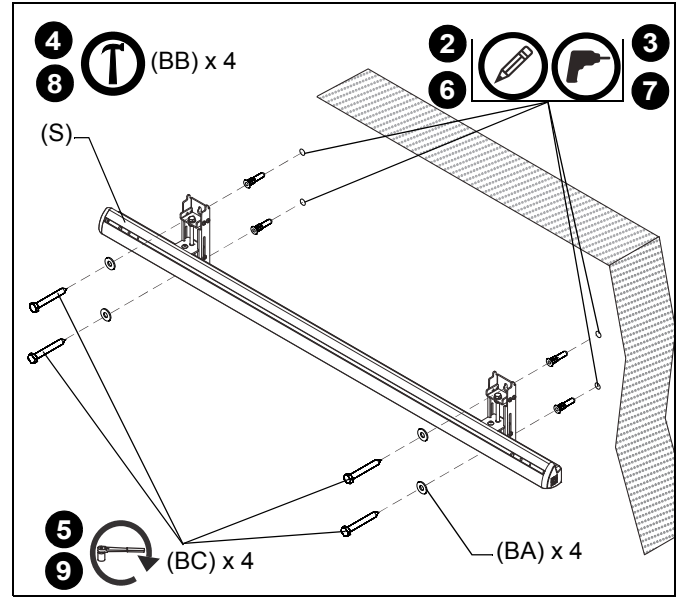


Figure 4

3. Drill one 1/4" x 2-3/4" pilot hole at each marking. (See Figure 4)
4. Install an anchor (BB) into each pilot hole using a hammer. (See Figure 4)
5. Use two 1/4-20 x 2-1/2" lag bolts (BC) and two 1/4" flat washers (BA) to attach wall assembly (S) to anchors in wall. (See Figure 4)
6. Mark the wall through the lower mounting hole in the wall assembly (S). (See Figure 4)
7. Drill one 1/4" x 2-3/4" pilot hole at each marking through lower mounting hole in wall assembly (S). (See Figure 4)
8. Install an anchor (BB) into each pilot hole using a hammer. (See Figure 4)
9. Use two 1/4-20 x 2-1/2" lag bolts (BC) and two 1/4" flat washers (BA) to attach wall assembly (S) to anchors in wall. (See Figure 4)

Attaching IDEA Screen

1. Attach upright assembly (Q) to back of screen using three 1/4-20 x 1/2" Phillips pan head screws (G) and three 1/4" washers (H). (See Figure 5)
2. Repeat for second upright assembly. (See Figure 5)

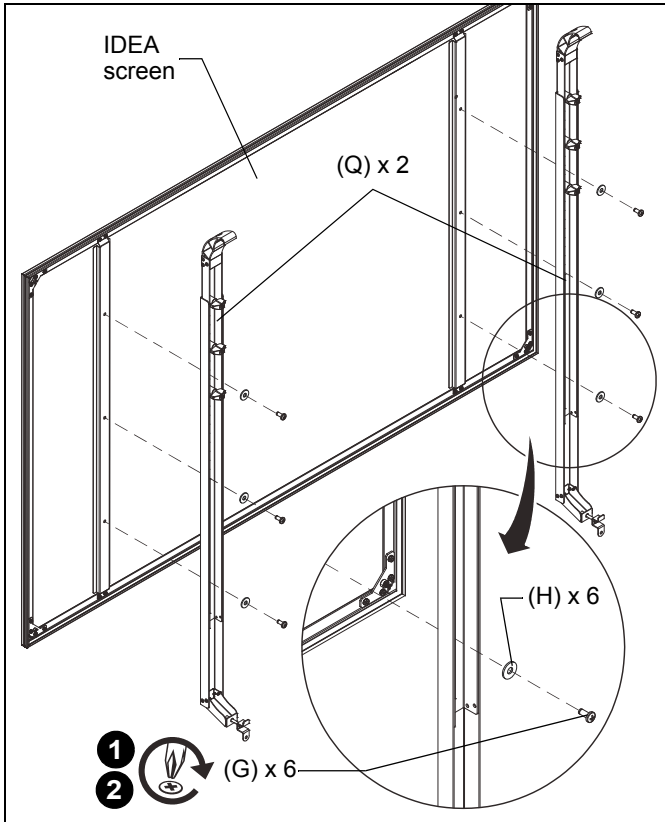


Figure 5

Attaching Uprights to Wall Extrusion

1. Hook screen with attached uprights onto the wall assembly (S). (See Figure 6)
2. Move the slide nut (located in the wall assembly) so that it is aligned with the upright (Q). (See Figure 6)
3. Fasten upright in place using one 1/4-20 x 3/8" button head cap screw (F) and one .4"x.255"x.0625" nylon spacer (J). (See Figure 6)
4. Repeat for other side of wall extrusion.

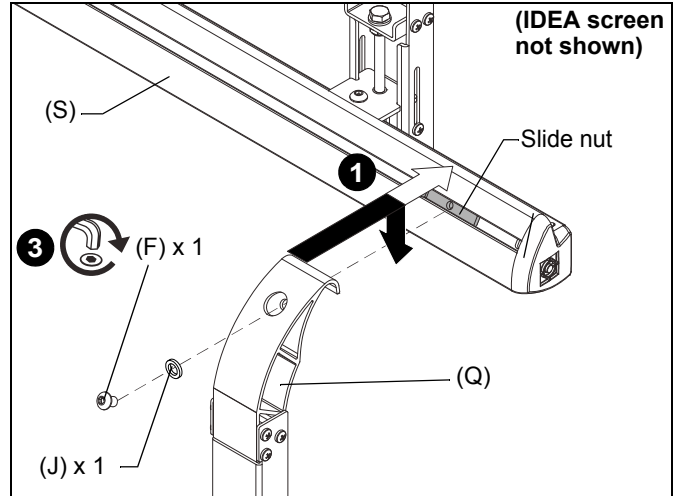


Figure 6

Adjustments

Lateral Movement

1. Loosen one button head cap screw at top of upright assembly (Q). (See Figure 7)
2. Slide upright assembly left or right on wall assembly (S), as necessary. (See Figure 7)
3. Tighten button head cap screw to fasten upright assembly into place. (See Figure 7)

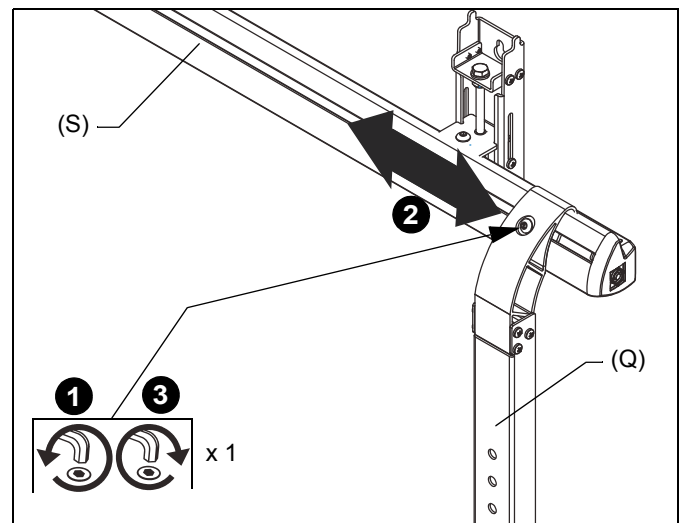


Figure 7

Vertical Adjustment

1. Loosen one button head cap screw with spacer at top of each upright assembly (Q). (See Figure 8)
2. Unhook screen from wall assembly (S). (See Figure 8)

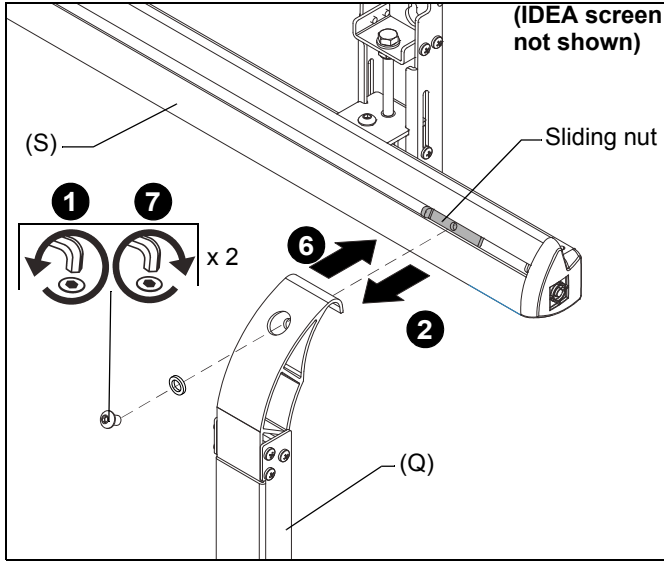


Figure 8

3. Loosen six Phillips head screws on back of screen. (See Figure 9)
4. Adjust screen up or down, as required. (See Figure 9)
5. Tighten six Phillips head screws (G) to fasten screen to upright assemblies (Q). (See Figure 9)

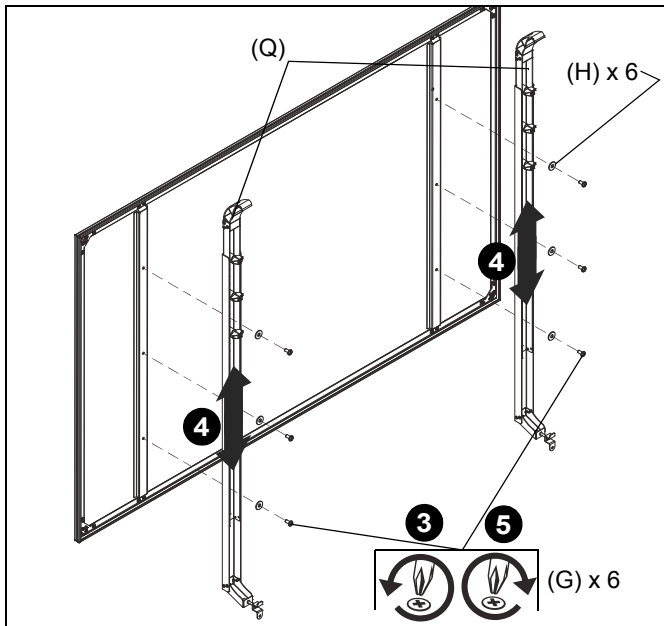


Figure 9

6. Hook screen with attached uprights onto the wall assembly (S). (See Figure 8)

7. Tighten button head cap screw with spacer (loosened in Step 1) at top of each upright assembly to fasten upright assemblies (Q) into place. (See Figure 8)

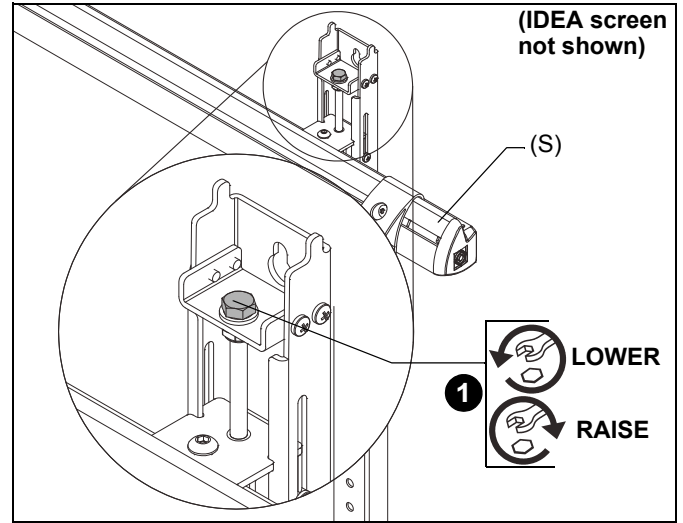


Figure 10

Micro Height Adjust and Leveling

1. The wall assembly (S) can be adjusted or leveled by turning the hex head bolt in the brackets. (See Figure 10)
 - Turn **clockwise** to raise wall assembly
 - Turn **counterclockwise** to lower wall assembly.

Completing Attachment to Wall

NOTE: See **Adjustments** section to make any necessary adjustments **BEFORE** completing attachment to wall.

NOTE: The fixed wall leg (R) must be attached to the wall using the correct hardware for the wall type. It may be attached to a wood stud or concrete wall, and may also be attached to drywall only. Proceed to appropriate section for instruction.

Wood Stud Wall

1. Mark the wall over stud through the fixed wall leg (R) on each upright assembly. (See Figure 11)
2. Drill one 1/8" pilot hole in each stud. (See Figure 11)
3. Use two 1/4-20 x 2-1/2" lag bolts (B) and two 1/4" flat washers (C) to attach both fixed wall legs (R) to wall. (See Figure 11)

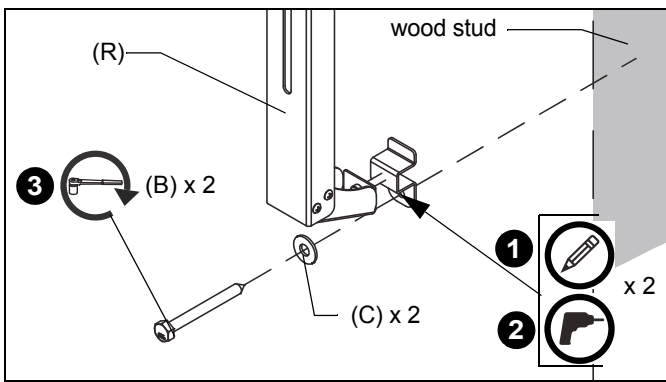


Figure 11

Concrete or Concrete Block Wall

1. Mark the wall through the fixed wall leg (R) on each upright assembly (Q). (See Figure 12)

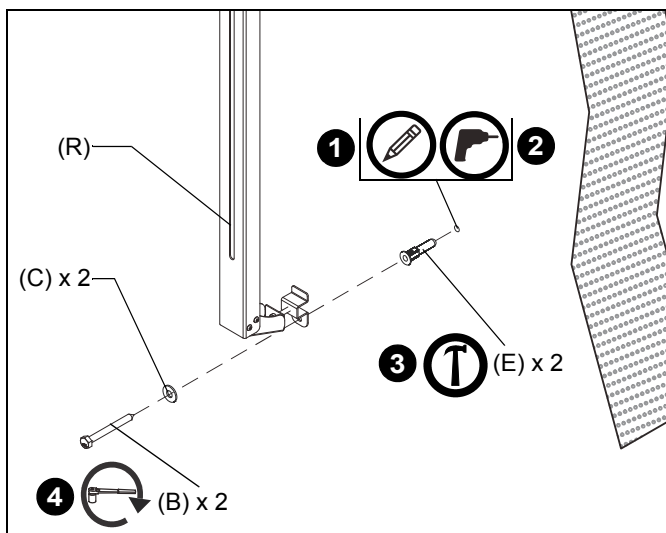


Figure 12

2. Drill one 1/4" x 2-3/4" pilot hole at each marking. (See Figure 12)

3. Install one anchor (E) into each pilot hole using a hammer. (See Figure 12)
4. Use two 1/4-20 x 2-1/2" lag bolts (B) and two 1/4" flat washers (C) to attach both fixed wall legs (R) to anchors in wall. (See Figure 12)

Drywall Only

1. Mark the drywall through the fixed wall leg (R) on each upright assembly (Q). (See Figure 13)
2. Drill one 1/2" hole at each marking. (See Figure 13)

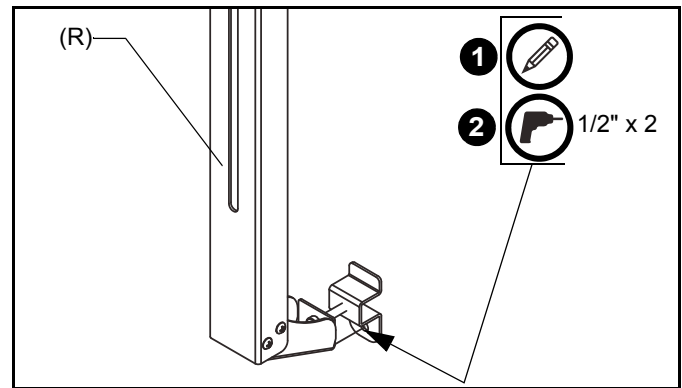


Figure 13

3. Hold metal channel on anchor (D) flat alongside plastic straps and slide channel through hole. (See Figure 14)

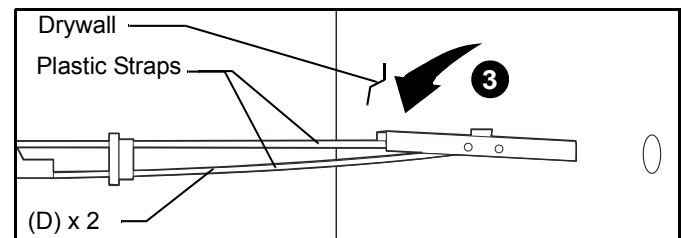


Figure 14

4. Holding plastic straps on anchor (D), pull anchor away from wall until channel rests flush behind wall making sure anchor channel is positioned vertically
5. Slide plastic cap on anchor (D) towards wall until flange of cap is flush with wall. (See Figure 15)

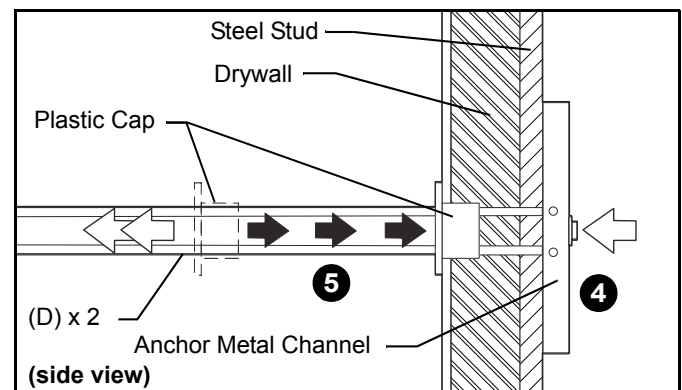


Figure 15

6. Snap off plastic straps on anchor at wall by pushing side to side, snapping off straps level with flange of plastic cap. (See Figure 16)

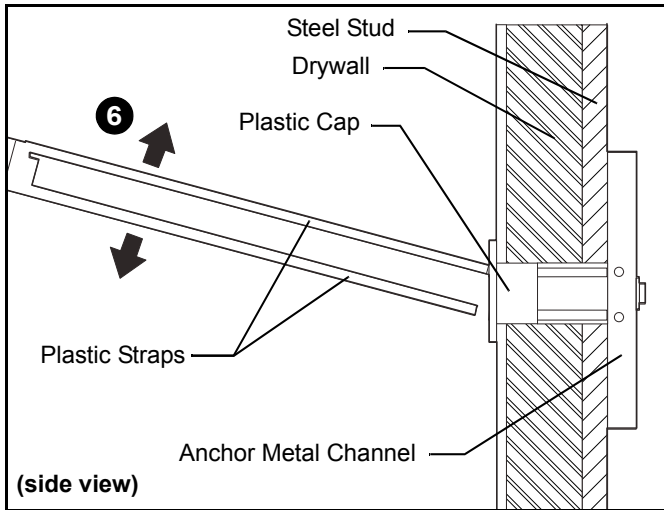


Figure 16

7. Repeat Steps 3 through 6 for remaining mounting hole.
8. Place fixed wall legs (R) over anchors and align mounting slots with holes in anchors. (See Figure 17)
9. Place 1/4" flat washer (C) onto 1/4-20 x 1-3/4" Phillips pan head screw (A).
10. Insert Phillips pan head screw (A) with flat washer (C) through mounting slot in fixed wall leg and into snap toggle (D) and tighten until flush against fixed wall leg. DO NOT over-tighten! (See Figure 17)
11. Repeat Steps 9 and 10 for remaining mounting hole.

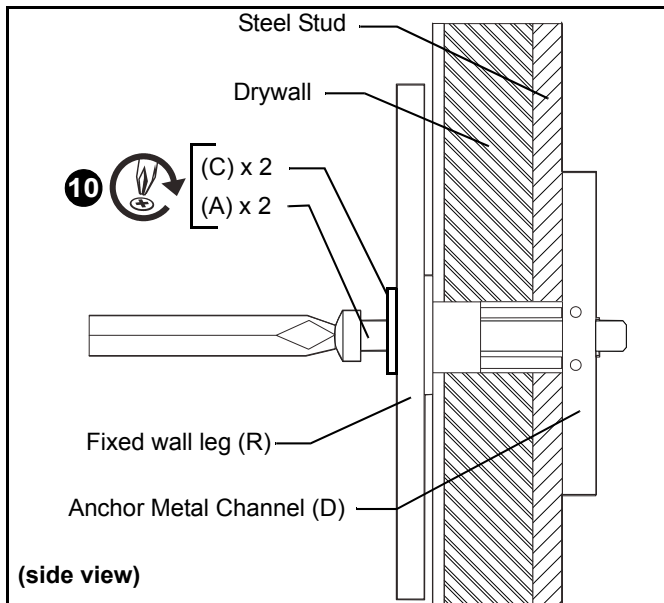


Figure 17

Adding Covers

1. Open the lower flaps of the wall bracket cover (N) outward. (See Figure 18)
2. Slide the cover downward, hooking the top of the wall bracket covers (N) onto the tabs on top of wall assembly brackets. (See Figure 18)
3. Slide the lower flaps of the wall bracket cover (N) under the bottom of the wall assembly brackets (S). (See Figure 18)

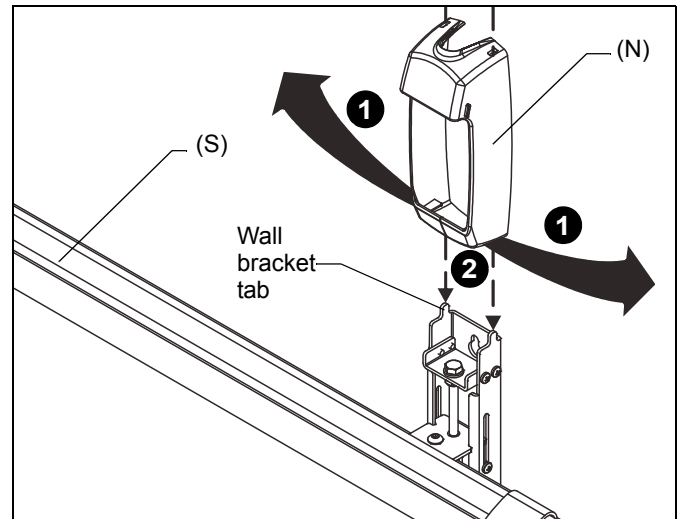


Figure 18

4. Slide the sliding cover (P) down over the wall bracket cover (N). (See Figure 19)

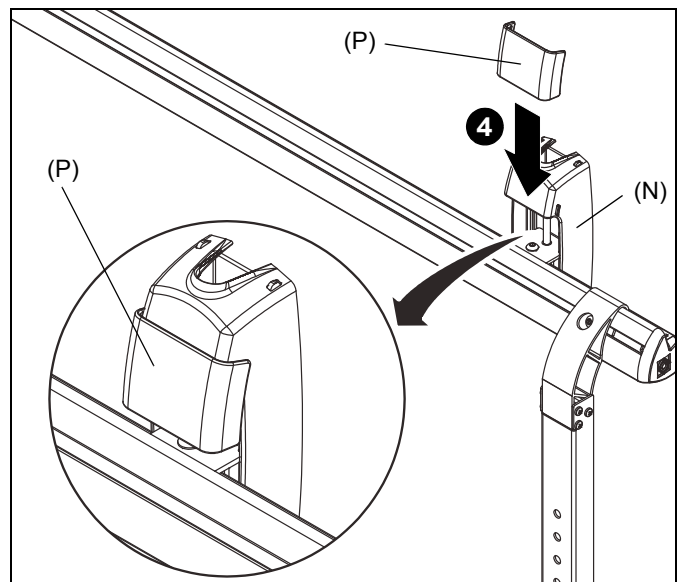


Figure 19

LIMITED ONE YEAR WARRANTY ON DA-LITE PRESENTATION PRODUCTS

Milestone AV Technologies LLC warrants certain Da-Lite branded products to the original purchaser only, to be free from defects in materials and workmanship for a period of one (1) year from the date of purchase by the original purchaser; provided they are properly operated according to Da-Lite's instructions and are not damaged due to improper handling or treatment after shipment from the factory.

This warranty does not apply to equipment showing evidence of misuse, abuse or accidental damage, or which has been tampered with or repaired by a person other than authorized Da-Lite personnel.

Da-Lite's sole obligation under this warranty shall be to repair or to replace (at Da-Lite's option) the defective part of the merchandise. Returns for service should be made to your Da-Lite dealer. If it is necessary for the dealer to return the screen or part to Da-Lite, transportation expenses to and from Da-Lite are payable by the purchaser and Da-Lite is not responsible for damage in shipment. To protect yourself against damage or loss in transit, insure the product and prepay all transportation expenses.

TO THE MAXIMUM EXTENT PERMITTED BY APPLICABLE LAW, THIS WARRANTY IS IN LIEU OF ALL OTHER WARRANTIES, EXPRESS OR IMPLIED, INCLUDING WARRANTIES AS TO FITNESS FOR USE AND MERCHANTABILITY. Any implied warranties of fitness for use, or merchantability, that may be mandated by statute or rule of law are limited to the one (1) year warranty period. This warranty gives you specific legal rights, and you may also have other rights, which vary from state-to-state. TO THE MAXIMUM EXTENT PERMITTED BY APPLICABLE LAW, NO LIABILITY IS ASSUMED FOR EXPENSES OR DAMAGES RESULTING FROM INTERRUPTION IN OPERATION OF EQUIPMENT, OR FOR INCIDENTAL, DIRECT, OR CONSEQUENTIAL DAMAGES OF ANY NATURE.

In the event that there is a defect in materials or workmanship of a Da-Lite product, you may contact our Sales Partners at PO Box 137, Warsaw, IN 46581-0137, (574) 267-8101, (800) 622-3737.

IMPORTANT: THIS WARRANTY SHALL NOT BE VALID AND DA-LITE BRANDED PRODUCTS SHALL NOT BE BOUND BY THIS WARRANTY IF THE PRODUCT IS NOT OPERATED IN ACCORDANCE WITH THE DA-LITE WRITTEN INSTRUCTIONS.

Keep your sales receipt to prove the date of purchase and your original ownership.



a Milestone AV Technologies Brand

8800-002658 Rev01
12/15

3100 North Detroit Street
Warsaw, IN 46582
Phone: 574.267.8101
Toll Free: 800.622.3737
Fax: 574.267.7804
Toll Free Fax: 877.325.4832
www.da-lite.com
info@da-lite.com

