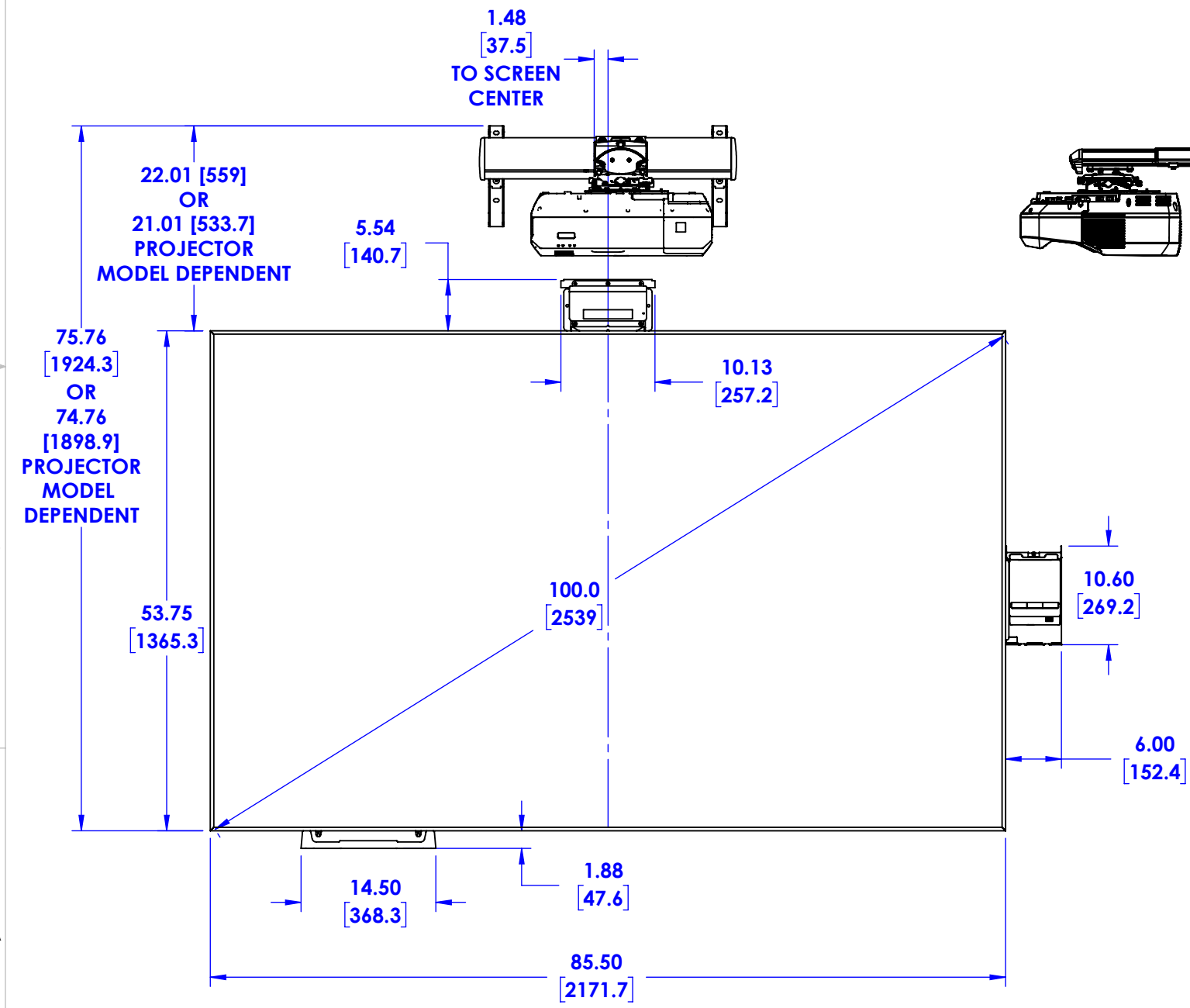
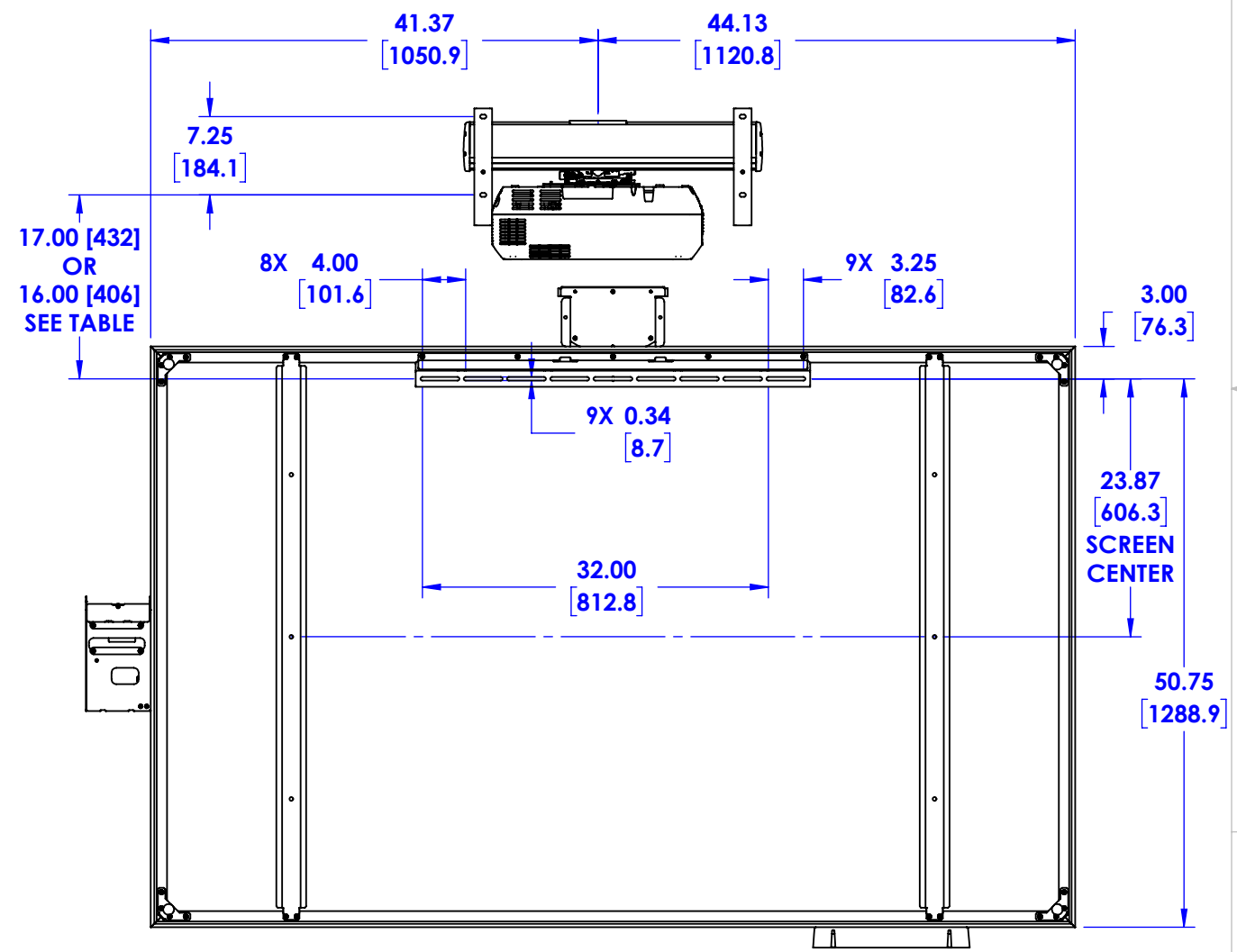
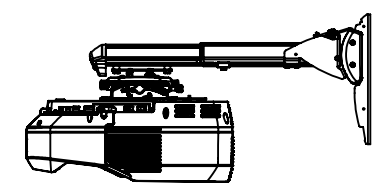
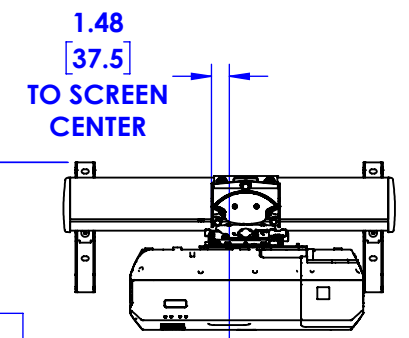


EPSON PROJECTOR HEIGHT SPACING TABLE	
Brightlink® Pro 1450Ui	16.00 [406]
Brightlink® Pro 1460Ui	16.00 [406]
Brightlink® Pro 1470Ui	17.00 [432]
Brightlink® 697Ui	16.00 [406]
Brightlink® 696Ui	16.00 [406]
Brightlink® 710Ui	17.00 [432]



THE INFORMATION AND DESIGNS CONTAINED IN THIS DRAWING ARE CONFIDENTIAL AND THE PROPRIETARY PROPERTY OF MILESTONE AV TECHNOLOGIES NEITHER THIS DESIGN NOR ANY INFORMATION CONTAINED IN THIS DRAWING MAY BE REPRODUCED OR DISCLOSED TO OTHERS WITHOUT THE EXPRESS WRITTEN CONSENT OF MILESTONE AV TECHNOLOGIES.

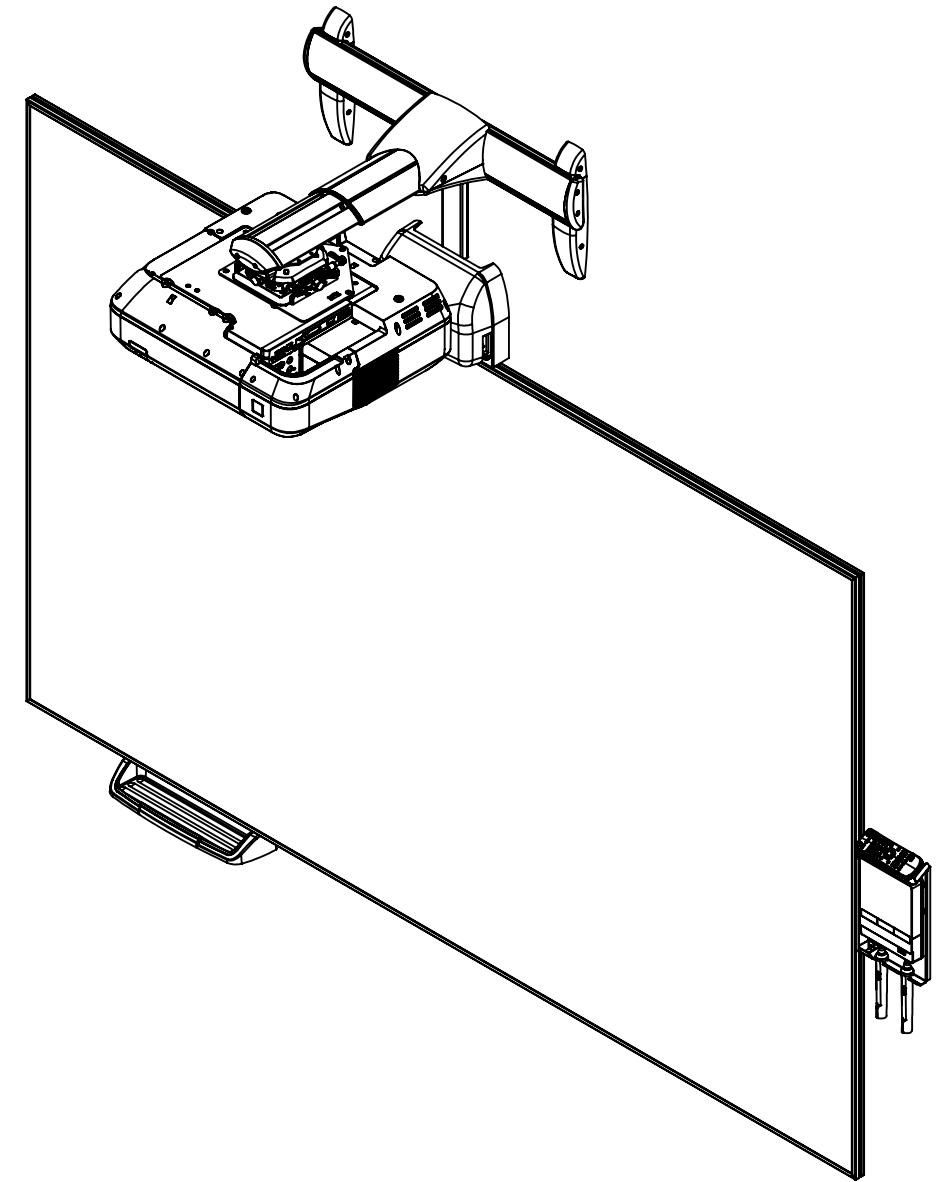
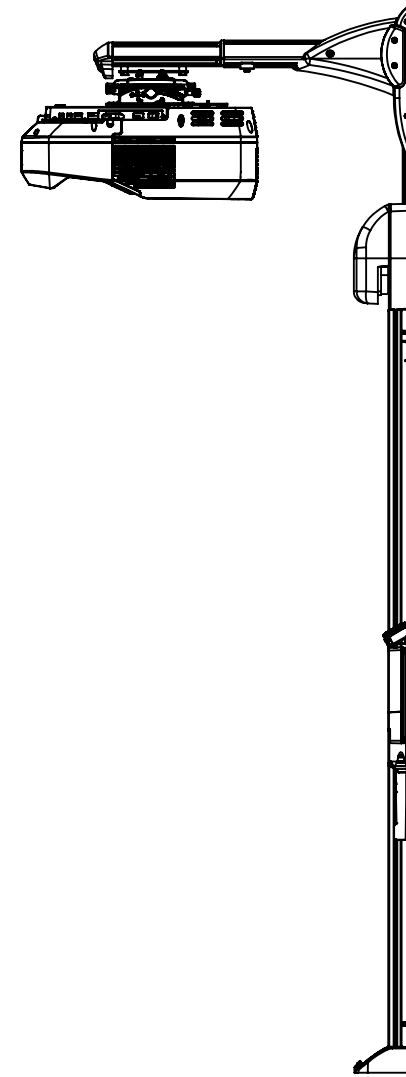
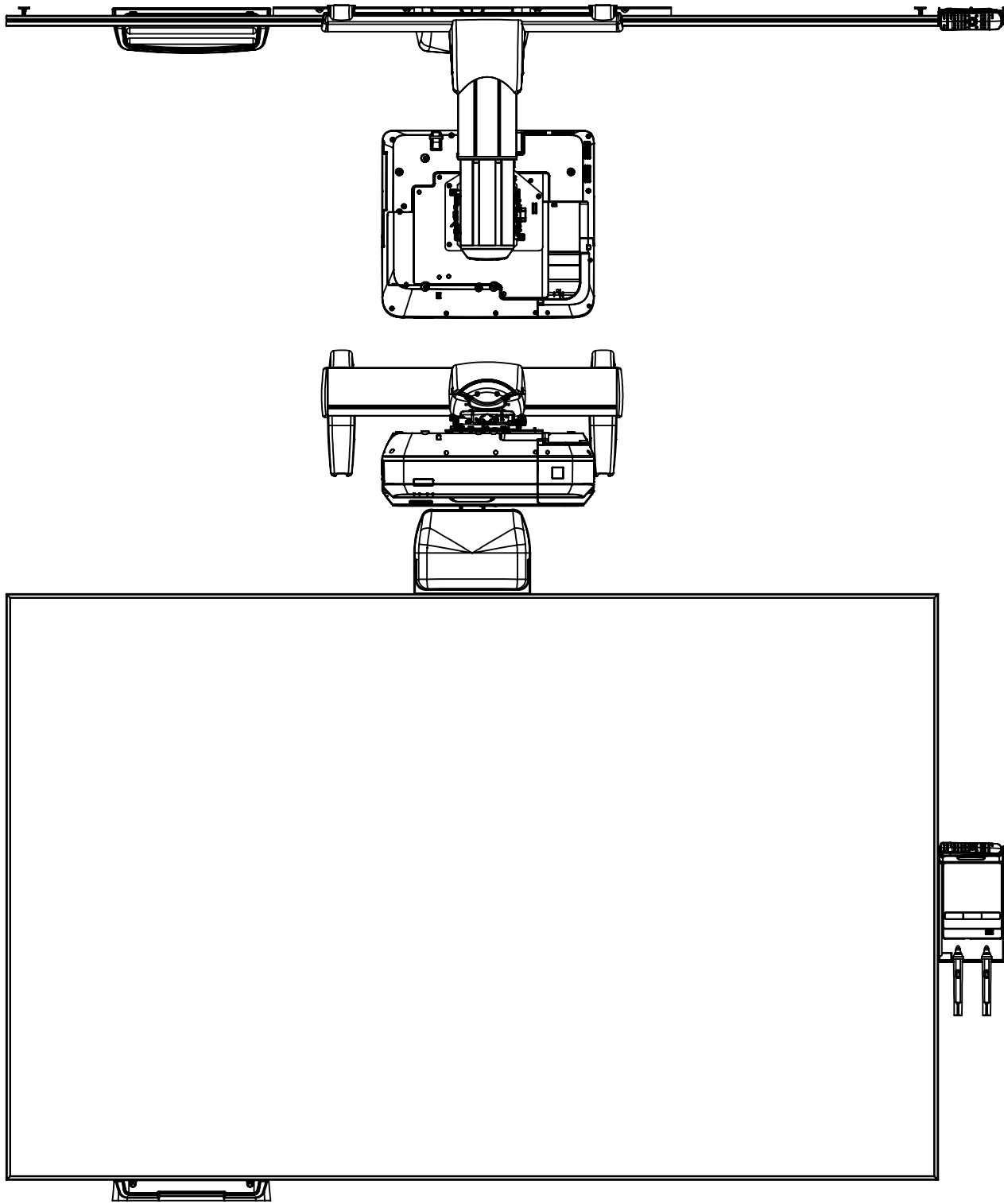
CAD GENERATED DRAWING, DO NOT MANUALLY UPDATE.			6436 CITY WEST PKWY EDEN PRAIRIE MN, 55344 PHONE: 866-977-3901 FAX: 877-894-6918	
DRAWN BY	MJS	7/14/2017		
ENG APPROVAL	MJS	10/4/2017	DESCRIPTION EPSON ALL-IN-ONE WHITE BOARD, 100"	
MFG APPROVAL			MODEL NO. AN3WA100	
QA APPROVAL			SIZE B	DWG. NO. TECH-000876
SHEET 1 OF 2			SCALE 1:16	REV. 04

# WITH COVERS

STATUS: MJS 04/30/2018 - RELEASED ON ECO: 500017205

TECH-000876

D  
C  
B  
A



D  
C  
B  
A

THE INFORMATION AND DESIGNS CONTAINED IN THIS DRAWING ARE CONFIDENTIAL AND THE PROPRIETARY PROPERTY OF MILESTONE AV TECHNOLOGIES NEITHER THIS DESIGN NOR ANY INFORMATION CONTAINED IN THIS DRAWING MAY BE REPRODUCED OR DISCLOSED TO OTHERS WITHOUT THE EXPRESS WRITTEN CONSENT OF MILESTONE AV TECHNOLOGIES.

CAD GENERATED DRAWING, DO NOT MANUALLY UPDATE.			<b>CHIEF</b> 6436 CITY WEST PKWY EDEN PRAIRIE MN, 55344 PHONE: 866-977-3901 FAX: 877-894-6918	
DRAWN BY	MJS	7/14/2017	DESCRIPTION <b>EPSON ALL-IN-ONE WHITE BOARD, 100"</b>	
ENG APPROVAL	MJS	10/4/2017	MODEL NO. <b>AN3WA100</b>	
MFG APPROVAL			SIZE	DWG. NO.
QA APPROVAL			B	TECH-000876
SHEET 2 OF 2		SCALE 1:14	REV. <b>04</b>	

1 2 3 4 5 6 7 8