
PARTS LISTS

Tensioned Cosmopolitan® Series



Table of Contents

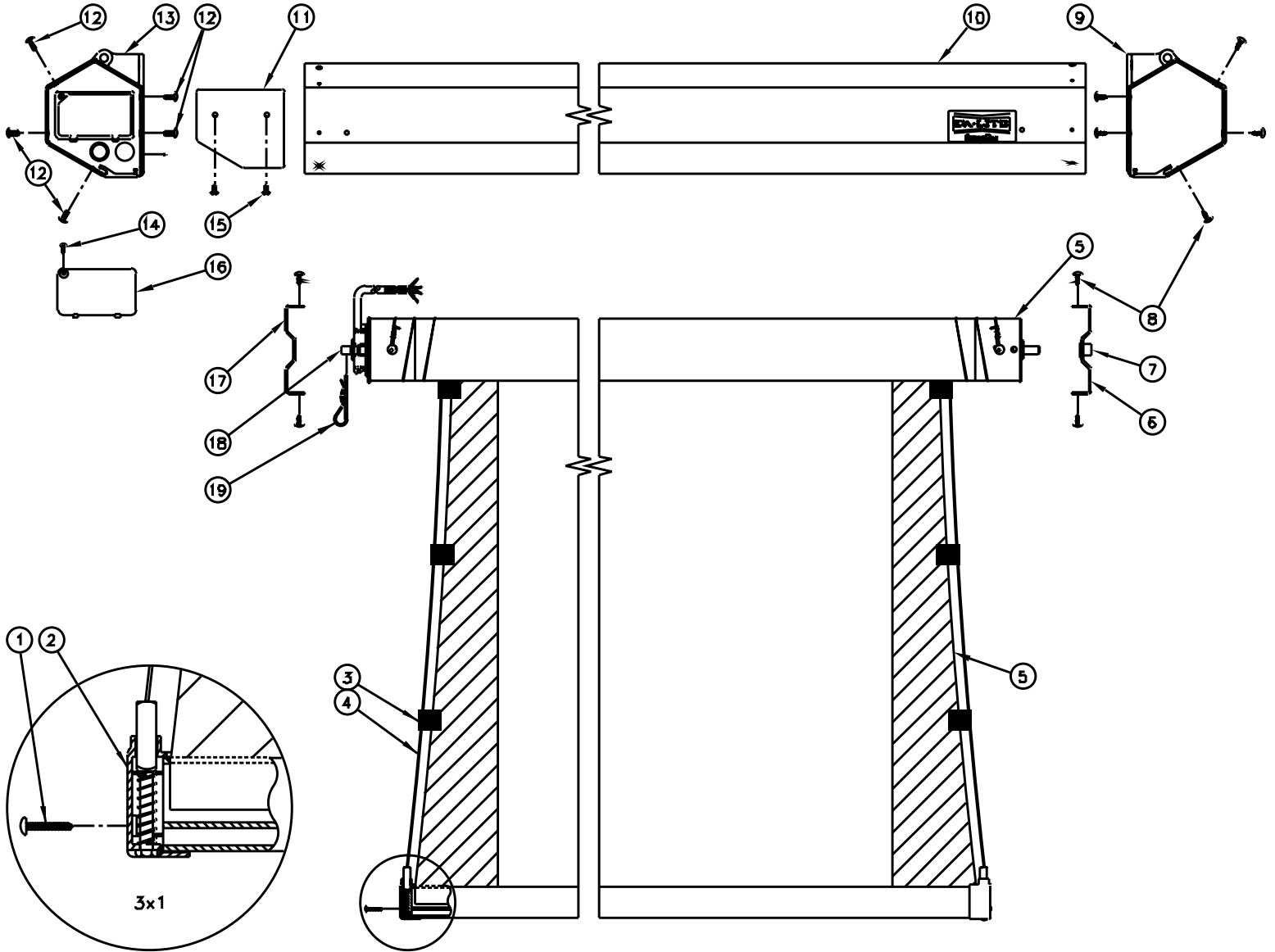
4 Tensioned Cosmopolitan®
Previously Named: Tensioned Cosmopolitan Electrol®

8 Tensioned Cosmopolitan (Over 12' W)
Previously Named: Tensioned Large Cosmopolitan Electrol

Tensioned Cosmopolitan

Previously Named: Tensioned Cosmopolitan Electrol

Parts List



| Diagram Number | Da-Lite Number | Description | Quantity Required | List Price Each |
|----------------|----------------|---|-------------------|-----------------|
| 1 | 44839 | Screw for slat cap assy. | 4 | \$0.27 |
| 2 | 92030 | Slat cap assy. (includes #1) | 2 | \$9.15 |
| 3 | 10685 | Tab | 14-32 | \$0.37 |
| 4 | 75658 | Line, chalk and mason black (per foot). Figure one side at approximately height of fabric + 2' + any extra needed. | Per size | \$0.23 |
| 5 | | Fabric and roller assemblies include #2, 3 and 4 | | |
| | | HDTV (16:9) Format | | |
| | 84695 | Fabric and roller assy., Da-Mat 45" x 80" - 92" diag. | 1 | \$1,291.00 |
| | 86513 | Fabric and roller assy., Da-Tex 45" x 80" - 92" diag. | 1 | \$1,376.00 |
| | 80314 | Fabric and roller assy., Da-Mat 52" x 92" - 106" diag. | 1 | \$1,431.00 |
| | 86515 | Fabric and roller assy., Da-Tex 52" x 92" - 106" diag. | 1 | \$1,523.00 |
| | 95088 | Fabric and roller assy., Da-Mat 54" x 96" - 110" diag. | 1 | \$1,571.00 |
| | 95096 | Fabric and roller assy., Da-Tex 54" x 96" - 110" diag. | 1 | \$1,676.00 |
| | 80317 | Fabric and roller assy., Da-Mat 58" x 104" - 119" diag. | 1 | \$1,752.00 |
| | 86516 | Fabric and roller assy., Da-Tex 58" x 104" - 119" diag. | 1 | \$1,867.00 |
| | 80320 | Fabric and roller assy., Da-Mat 65" x 116" - 133" diag. | 1 | \$1,986.00 |
| | 86517 | Fabric and roller assy., Da-Tex 65" x 116" - 133" diag. | 1 | \$2,119.00 |
| | 80323 | Fabric and roller assy., Da-Mat 78" x 139" - 159" diag. | 1 | \$2,089.00 |
| | 86518 | Fabric and roller assy., Da-Tex 78" x 139" - 159" diag. | 1 | \$2,231.00 |
| | | Wide (16:10) Format | | |
| | 34873 | Fabric and roller assy., Da-Mat 50" x 80" - 94" diag. | 1 | \$1,291.00 |
| | 34881 | Fabric and roller assy., Da-Tex 50" x 80" - 94" diag. | 1 | \$1,376.00 |
| | 21106 | Fabric and roller assy., Da-Mat 57 1/2" x 92" - 109" diag. | 1 | \$1,431.00 |
| | 21114 | Fabric and roller assy., Da-Tex 57 1/2" x 92" - 109" diag. | 1 | \$1,523.00 |
| | 34883 | Fabric and roller assy., Da-Mat 60" x 96" - 113" diag. | 1 | \$1,571.00 |
| | 34891 | Fabric and roller assy., Da-Tex 60" x 96" - 113" diag. | 1 | \$1,676.00 |
| | 21717 | Fabric and roller assy., Da-Mat 65" x 104" - 123" diag. | 1 | \$1,752.00 |
| | 21725 | Fabric and roller assy., Da-Tex 65" x 104" - 123" diag. | 1 | \$1,867.00 |
| | 34893 | Fabric and roller assy., Da-Mat 69" x 110" - 130" diag. | 1 | \$1,868.00 |
| | 34901 | Fabric and roller assy., Da-Tex 69" x 110" - 130" diag. | 1 | \$1,994.00 |
| | 21116 | Fabric and roller assy., Da-Mat 72 1/2" x 116" - 137" diag. | 1 | \$1,986.00 |
| | 21124 | Fabric and roller assy., Da-Tex 72 1/2" x 116" - 137" diag. | 1 | \$2,119.00 |
| | 34903 | Fabric and roller assy., Da-Mat 87" x 139" - 164" diag. | 1 | \$2,089.00 |
| | 34911 | Fabric and roller assy., Da-Tex 87" x 139" - 164" diag. | 1 | \$2,231.00 |
| | | Video (4:3) Format | | |
| | 80299 | Fabric and roller assy., Da-Mat 43" x 57" - 72" diag. | 1 | \$1,074.00 |
| | 80302 | Fabric and roller assy., Da-Mat 50" x 67" - 84" diag. | 1 | \$1,180.00 |
| | 80305 | Fabric and roller assy., Da-Mat 60" x 80" - 100" diag. | 1 | \$1,300.00 |
| | 80308 | Fabric and roller assy., Da-Mat 69" x 92" - 120" diag. | 1 | \$1,439.00 |
| | 80311 | Fabric and roller assy., Da-Mat 87" x 116" - 150" diag. | 1 | \$2,016.00 |
| | | For 180" and 200" diag. screens prior to 1/01/05, use part numbers below. After 1/01/05, see the Tensioned Cosmopolitan (Over 12' Wide) parts list. | | |
| | 82700 | Fabric and roller assy., Da-Mat 108" x 144" - 180" diagonal | 1 | \$2,117.00 |
| | 82703 | Fabric and roller assy., Da-Mat 120" x 160" - 200" diagonal | 1 | \$2,524.00 |
| 6 | 58390 | Roller bracket assy., pin end | 1 | \$9.15 |
| 7 | 46394 | Flanged bearing | 1 | \$0.53 |
| 8 | 25735 | Screw for end caps and mounting brackets | 11 | \$0.27 |
| 9 | 37508 | Pin end cap | 1 | \$5.40 |

| Diagram Number | Da-Lite Number | Description | Quantity Required | List Price Each | |
|----------------|----------------|--|---|-----------------|---------|
| 10 | | White Case | | | |
| | | HDTV (16:9) Format | | | |
| | | 11047 White case for 92" diag. screens | 1 | \$76.90 | |
| | | 11024 White case for 106" diag. screens | 1 | \$83.40 | |
| | | 95294 White case for 110" diag. screens | 1 | \$85.70 | |
| | | 78837 White case for 119" diag. screens | 1 | \$92.10 | |
| | | 11034 White case for 133" diag. screens | 1 | \$96.70 | |
| | | 97789WHITE White case for 159" diag. screens | 1 | \$101.00 | |
| | | Wide (16:10) Format | | | |
| | | 11048 White case for 94" diag. screens | 1 | \$76.90 | |
| | | 11025 White case for 109" diag. screens | 1 | \$83.40 | |
| | | 11026 White case for 113" diag. screens | 1 | \$85.70 | |
| | | 11029 White case for 123" diag. screens | 1 | \$92.10 | |
| | | 11031 White case for 130" diag. screens | 1 | \$92.10 | |
| | | 11035 White case for 137" diag. screens | 1 | \$96.70 | |
| | | 11039 White case for 164" diag. screens | 1 | \$101.00 | |
| | | Video (4:3) Format | | | |
| | | 11041 White case for 72" diag. screens | 1 | \$61.60 | |
| | | 11044 White case for 84" diag. screens | 1 | \$65.80 | |
| | | 11049 White case for 100" diag. screens | 1 | \$76.90 | |
| | | 77505 White case for 120" diag. screens | 1 | \$83.40 | |
| | | 77506 White case for 150" diag. screens | 1 | \$96.70 | |
| | 11 | 93566 | Enclosure, motor end | 1 | \$9.15 |
| | 12 | 25735 | Screw for motor end cap | 5 | \$0.27 |
| | 13 | 37507 | Motor end cap | 1 | \$16.00 |
| | 14 | 77814 | Screw for cover plate | 1 | \$0.37 |
| | 15 | 50846 | Enclosure screw, #10-32 | 2 | \$0.16 |
| 16 | 38043 | Cover plate, motor end cap | 1 | \$2.30 | |
| 17 | 87026 | Roller bracket, motor end | 1 | \$9.15 | |
| 18 | 37511KIT | Motor assy., 120v for screens with 3.25" roller | 1 | \$390.00 | |
| | 38889KIT | Motor assy., 120v with built-in LVC for screens with 3.25" roller | 1 | \$487.00 | |
| | 32262SKIT | Motor assy., 120v Silent for screens with 3.25" roller up to and including 10x10 | 1 | \$487.00 | |
| | 38889LSKIT | Motor assy., 120v Silent with built-in LVC for screens with 3.25" roller up to and including 10x10 | 1 | \$585.00 | |
| | 32690KIT | Motor assy., 240v for screens with 3.25" roller | 1 | \$390.00 | |
| | 32644KIT | Motor assy., 240v with built-in LVC for screens with 3.25" roller before 4/12/2018 | 1 | \$800.00 | |
| | 12149KIT | Motor assy., 240v with built-in LVC for screens with 3.25" roller 4/12/2018 and after | 1 | \$487.00 | |
| | 32268SKIT | Motor assy., 240v Silent for screens with 3.25" roller up to and including 10x10 | 1 | \$487.00 | |
| | 32644LSKIT | Motor assy., 240v Silent with built-in LVC for screens with 3.25" roller up to and including 10x10 before 6/11/2018 | 1 | \$585.00 | |
| | 12281KIT | Motor assy., 240v Silent with built-in LVC for screens with 3.25" roller up to and including 10x10 6/11/2018 and after | 1 | \$585.00 | |
| | | 94785 | Drive wheel/rubber mount for screens purchased before 1/22/04 (not shown) | 1 | \$60.00 |
| | 97290 | Hair cotter pin, 5/16" - 3/8" x 1 5/8" | 1 | \$0.47 | |
| 19 | 99607 | ILT/LVC motor hardware kit (not shown) | 1 | \$120.00 | |

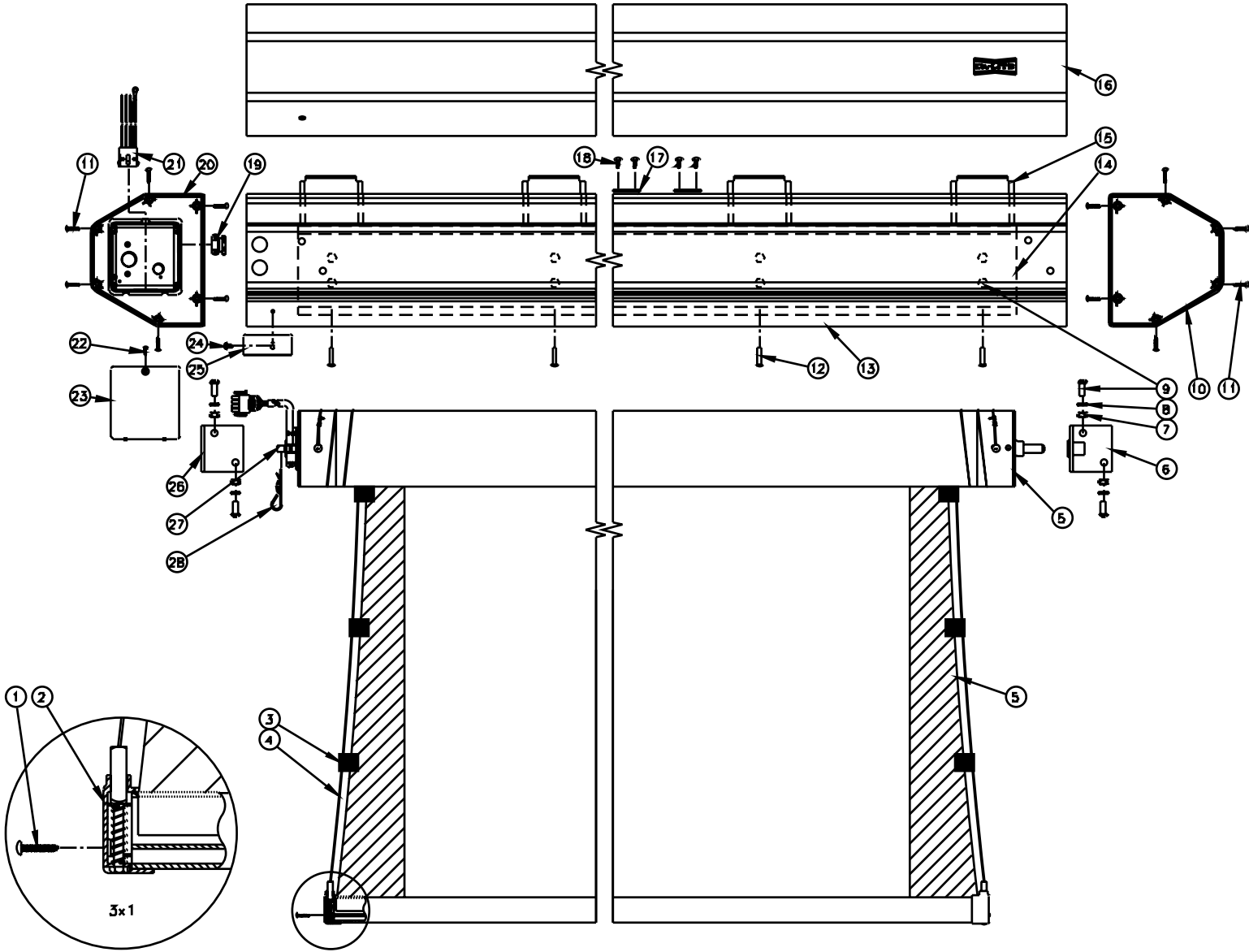
| Diagram Number | Da-Lite Number | Description | Quantity Required | List Price Each |
|-----------------------|-----------------------|--|--------------------------|------------------------|
| 20 | 80575 | Wall switch, 120v white (not shown) | 1 | \$77.00 |
| | 40961 | Wall switch, 120v ivory (not shown) | 1 | \$77.00 |
| | 11147 | Wall switch, 240v white double push putton (not shown) | 1 | \$77.00 |
| | 38463E | Wall switch, 240v white rocker (not shown) | 1 | \$77.00 |
| | 11147 | Wall switch, 240v white double push putton (not shown) | 1 | \$65.00 |
| | 38463E | Wall switch, 240v white rocker (not shown) | 1 | \$65.00 |
| | | | | |

Tensioned Cosmopolitan (Over 12' W)

Previously Named: Tensioned Large Cosmopolitan Electrol



Parts List



| Diagram Number | Da-Lite Number | Description | Quantity Required | List Price Each |
|----------------|----------------|--|-------------------|-----------------|
| 1 | 44839 | Screw for slat cap assy. | 4 | \$0.27 |
| 2 | 98895 | Slat cap assy. (includes #1) | 2 | \$40.00 |
| 3 | 10685 | Tab | 24-44 | \$0.37 |
| 4 | 75658 | Line, chalk and mason black (per foot). Figure one side at approximately height of fabric + 2' + any extra needed. | Per size | \$0.23 |
| 5 | | Fabric and roller assemblies include #2, 3 and 4 | | |
| | | HDTV (16:9) Format | | |
| | 12770 | Fabric and roller assy., Parallax Stratos 1.0 92" x 164" - 188" diag. | 1 | \$3,240.00 |
| | 22365 | Fabric and roller assy., HD Progressive 0.9 92" x 164" - 188" diag. | 1 | \$3,086.00 |
| | 22366 | Fabric and roller assy., HD Progressive 1.1 92" x 164" - 188" diag. | 1 | \$3,086.00 |
| | 99552 | Fabric and roller assy., HD Progressive 1.1 Contrast 92" x 164" - 188" diag. | 1 | \$3,086.00 |
| | 29202 | Fabric and roller assy., HD Progressive 1.3 92" x 164" - 188" diag. | 1 | \$3,086.00 |
| | 99554 | Fabric and roller assy., HD Progressive ReView 0.9 92" x 164" - 188" diag. | 1 | \$3,086.00 |
| | 99548 | Fabric and roller assy., Da-Mat 92" x 164" - 188" diag. | 1 | \$2,543.00 |
| | 99553 | Fabric and roller assy., Da-Tex 92" x 164" - 188" diag. | 1 | \$2,902.00 |
| | 12771 | Fabric and roller assy., Parallax Stratos 1.0 108" x 192" - 220" diag. | 1 | \$3,840.00 |
| | 22367 | Fabric and roller assy., HD Progressive 0.9 108" x 192" - 220" diag. | 1 | \$3,657.00 |
| | 22368 | Fabric and roller assy., HD Progressive 1.1 108" x 192" - 220" diag. | 1 | \$3,657.00 |
| | 99675 | Fabric and roller assy., HD Progressive 1.1 Contrast 108" x 192" - 220" diag. | 1 | \$3,657.00 |
| | 29508 | Fabric and roller assy., HD Progressive 1.3 108" x 192" - 220" diag. | 1 | \$3,657.00 |
| | 99677 | Fabric and roller assy., HD Progressive ReView 0.9 108" x 192" - 220" diag. | 1 | \$3,657.00 |
| | 99671 | Fabric and roller assy., Da-Mat 108" x 192" - 220" diag. | 1 | \$3,013.00 |
| | 99676 | Fabric and roller assy., Da-Tex 108" x 192" - 220" diag. | 1 | \$3,359.00 |
| | | Wide (16:10) Format | | |
| | 12772 | Fabric and roller assy., Parallax Stratos 1.0 100" x 160" - 189" diag. | 1 | \$3,416.00 |
| | 22369 | Fabric and roller assy., HD Progressive 0.9 100" x 160" - 189" diag. | 1 | \$3,253.00 |
| | 22370 | Fabric and roller assy., HD Progressive 1.1 100" x 160" - 189" diag. | 1 | \$3,253.00 |
| | 21089 | Fabric and roller assy., HD Progressive 1.1 Contrast 100" x 160" - 189" diag. | 1 | \$3,253.00 |
| | 29203 | Fabric and roller assy., HD Progressive 1.3 100" x 160" - 189" diag. | 1 | \$3,253.00 |
| | 21091 | Fabric and roller assy., HD Progressive ReView 0.9 100" x 160" - 189" diag. | 1 | \$3,253.00 |
| | 21085 | Fabric and roller assy., Da-Mat 100" x 160" - 189" diag. | 1 | \$2,680.00 |
| | 21090 | Fabric and roller assy., Da-Tex 100" x 160" - 189" diag. | 1 | \$2,962.00 |
| | 12773 | Fabric and roller assy., Parallax Stratos 1.0 110" x 176" - 208" diag. | 1 | \$3,972.00 |
| | 22371 | Fabric and roller assy., HD Progressive 0.9 110" x 176" - 208" diag. | 1 | \$3,783.00 |
| | 22372 | Fabric and roller assy., HD Progressive 1.1 110" x 176" - 208" diag. | 1 | \$3,783.00 |
| | 21096 | Fabric and roller assy., HD Progressive 1.1 Contrast 110" x 176" - 208" diag. | 1 | \$3,783.00 |
| | 29509 | Fabric and roller assy., HD Progressive 1.3 110" x 176" - 208" diag. | 1 | \$3,783.00 |
| | 21098 | Fabric and roller assy., HD Progressive ReView 0.9 110" x 176" - 208" diag. | 1 | \$3,783.00 |
| | 21092 | Fabric and roller assy., Da-Mat 110" x 176" - 208" diag. | 1 | \$3,117.00 |
| | 21097 | Fabric and roller assy., Da-Tex 110" x 176" - 208" diag. | 1 | \$3,480.00 |
| | 12774 | Fabric and roller assy., Parallax Stratos 1.0 120" x 192" - 226" diag. | 1 | \$4,263.00 |
| | 22373 | Fabric and roller assy., HD Progressive 0.9 120" x 192" - 226" diag. | 1 | \$4,060.00 |
| | 22374 | Fabric and roller assy., HD Progressive 1.1 120" x 192" - 226" diag. | 1 | \$4,060.00 |
| | 21103 | Fabric and roller assy., HD Progressive 1.1 Contrast 120" x 192" - 226" diag. | 1 | \$4,060.00 |
| | 29510 | Fabric and roller assy., HD Progressive 1.3 120" x 192" - 226" diag. | 1 | \$4,060.00 |
| | 21105 | Fabric and roller assy., HD Progressive ReView 0.9 120" x 192" - 226" diag. | 1 | \$4,060.00 |
| | 21099 | Fabric and roller assy., Da-Mat 120" x 192" - 226" diag. | 1 | \$3,345.00 |
| | 21104 | Fabric and roller assy., Da-Tex 120" x 192" - 226" diag. | 1 | \$3,731.00 |

| Diagram Number | Da-Lite Number | Description | Quantity Required | List Price Each |
|----------------|----------------|---|-------------------|-----------------|
| | | Video (4:3) Format | | |
| | | For 180" and 200" diag. screens prior to 1/01/05 see the Tensioned Cosmopolitan parts list. | | |
| | 99589 | Fabric and roller assy., Da-Mat 108" x 144" - 180" diag. | 1 | \$2,060.00 |
| | 99596 | Fabric and roller assy., Da-Mat 120" x 160" - 200" diag. | 1 | \$2,680.00 |
| | 99534 | Fabric and roller assy., Da-Mat 126" x 168" - 210" diag. | 1 | \$2,899.00 |
| | 99541 | Fabric and roller assy., Da-Mat 132" x 176" - 220" diag. | 1 | \$3,117.00 |
| | 99664 | Fabric and roller assy., Da-Mat 144" x 192" - 240" diag. | 1 | \$3,345.00 |
| 6 | 96910BLACK | Roller bracket assy., pin end (for screens manufactured prior to 1-05-15, it will be necessary to also replace #26) | 1 | \$38.00 |
| 7 | 44752 | Nut for mounting brackets and hanger bracket | 12 | \$0.18 |
| 8 | 95073 | Washer for mounting brackets and hanger bracket | 12 | \$0.37 |
| 9 | 93506 | Screw for mounting brackets and hanger bracket | 12 | \$1.75 |
| 10 | 96301 | Pin end cap, white | 1 | \$12.70 |
| 11 | 88822 | Screw for end caps, white | 12 | \$0.32 |
| 12 | 12390 | Screw for hanger bracket, White (for screens with standard white case) | 4 | \$0.44 |
| | 12391 | Screw for hanger bracket, Black (for screens with black case) | 4 | \$0.44 |
| 13 | | White base. If your screen has a black case change the "WHITE" suffix to "BLACK" to order a White base. | | |
| | 98929WHITE | White base for 180" diag. screens | 1 | \$576.00 |
| | 98858WHITE | White base for 210" diag. screens | 1 | \$669.00 |
| | 97078WHITE | White base for 240" diag. screens | 1 | \$727.00 |
| | 98934WHITE | White base for 200" diag. screens | 1 | \$608.00 |
| | 98863WHITE | White base for 220" diag. screens | 1 | \$681.00 |
| | 98868WHITE | White base for 188" diag. screens | 1 | \$614.00 |
| | 99413WHITE | White base for 220" diag. screens | 1 | \$717.00 |
| | 71952WHITE | White base for 189" diag. screens | 1 | \$608.00 |
| | 71289WHITE | White base for 208" diag. screens | 1 | \$681.00 |
| | 70818WHITE | White base for 226" diag. screens | 1 | \$727.00 |
| 14 | 96704 | Hanger bracket for 9' x 12', 12' x 12' and 180" diag. screens | 1 | \$84.30 |
| | 96311 | Hanger bracket for 189" diag. and over screens | 1 | \$90.80 |
| 15 | 96650 | Hanger bracket, white | 4 | \$29.50 |
| 16 | | White cover. If your screen has a black case change the "WHITE" suffix to "BLACK" to order a White cover. | | |
| | 98930WHITE | White cover for 180" diag. screens | 1 | \$423.00 |
| | 98859WHITE | White cover for 210" diag. screens | 1 | \$494.00 |
| | 97079WHITE | White cover for 240" diag. screens | 1 | \$622.00 |
| | 98935WHITE | White cover for 200" diag. screens | 1 | \$464.00 |
| | 98864WHITE | White cover for 220" diag. screens | 1 | \$528.00 |
| | 98869WHITE | White cover for 188" diag. screens | 1 | \$475.00 |
| | 99414WHITE | White cover for 220" diag. screens | 1 | \$611.00 |
| | 71953WHITE | White cover for 189" diag. screens | 1 | \$464.00 |
| | 71290WHITE | White cover for 208" diag. screens | 1 | \$528.00 |
| | 70819WHITE | White cover for 226" diag. screens | 1 | \$622.00 |
| 17 | 96923 | Cover retainer, white | 4 | \$3.30 |
| 18 | 25736 | Screw for cover retainer, white | 4 | \$0.27 |
| 19 | 54520 | Connector, cable 3/8" | 1 | \$1.27 |
| 20 | 96303 | Motor end cap, white | 1 | \$12.70 |

| Diagram Number | Da-Lite Number | Description | Quantity Required | List Price Each |
|----------------|----------------|--|-------------------|-----------------|
| 21 | 84470 | Connector assy., 120v | 1 | \$7.00 |
| | 86809 | Connector assy., 120v with built-in LVC | 1 | \$4.10 |
| | 84482 | Connector assy., 240v | 1 | \$7.00 |
| | 86812 | Connector assy., 240v with built-in LVC | 1 | \$4.10 |
| 22 | 89464 | Screw for cover plate, white | 1 | \$0.37 |
| 23 | 96305 | Cover plate, motor end cap | 1 | \$5.30 |
| 24 | 44799 | Ground screw, #10-32 for wire cover | 1 | \$0.32 |
| 25 | 99501WHITE | Cover, wire | 1 | \$2.65 |
| 26 | 28692BLACK | Roller bracket, motor end (for screens manufactured prior to 1-05-15, it will be necessary to also replace #6) | 1 | \$38.00 |
| 27 | 38845RPL | Motor assy., 120v | 1 | \$585.00 |
| | 20996RPL | Motor assy., 120v with built-in LVC | 1 | \$681.00 |
| | 32749RPL | Motor assy., 240v | 1 | \$585.00 |
| | 32625RPL | Motor assy., 240v with built-in LVC | 1 | \$800.00 |
| 28 | 97290 | Hair cotter pin, 5/16" - 3/8" x 1 5/8" | 1 | \$0.47 |
| | 80575 | Wall switch, 120v white (not shown) | 1 | \$77.00 |
| | 40961 | Wall switch, 120v ivory (not shown) | 1 | \$77.00 |
| | 11147 | Wall switch, 240v white double push putton (not shown) | 1 | \$77.00 |
| | 38463E | Wall switch, 240v white rocker (not shown) | 1 | \$77.00 |